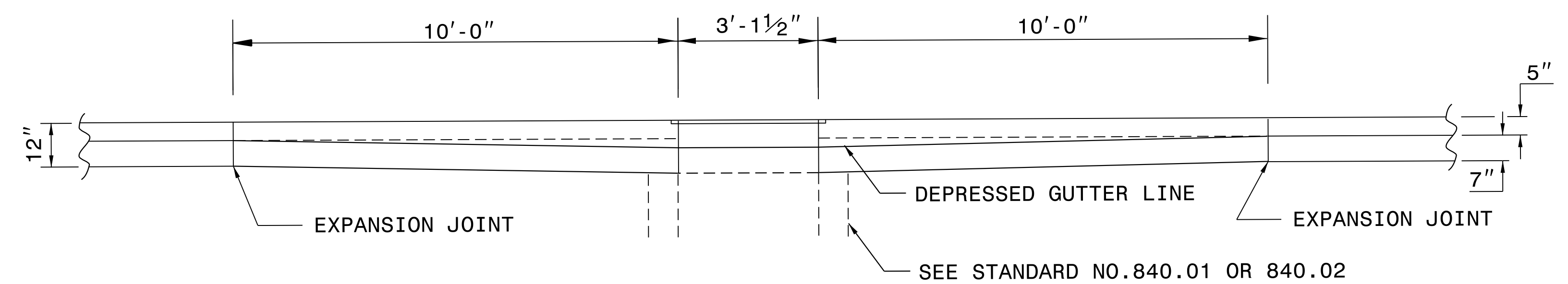
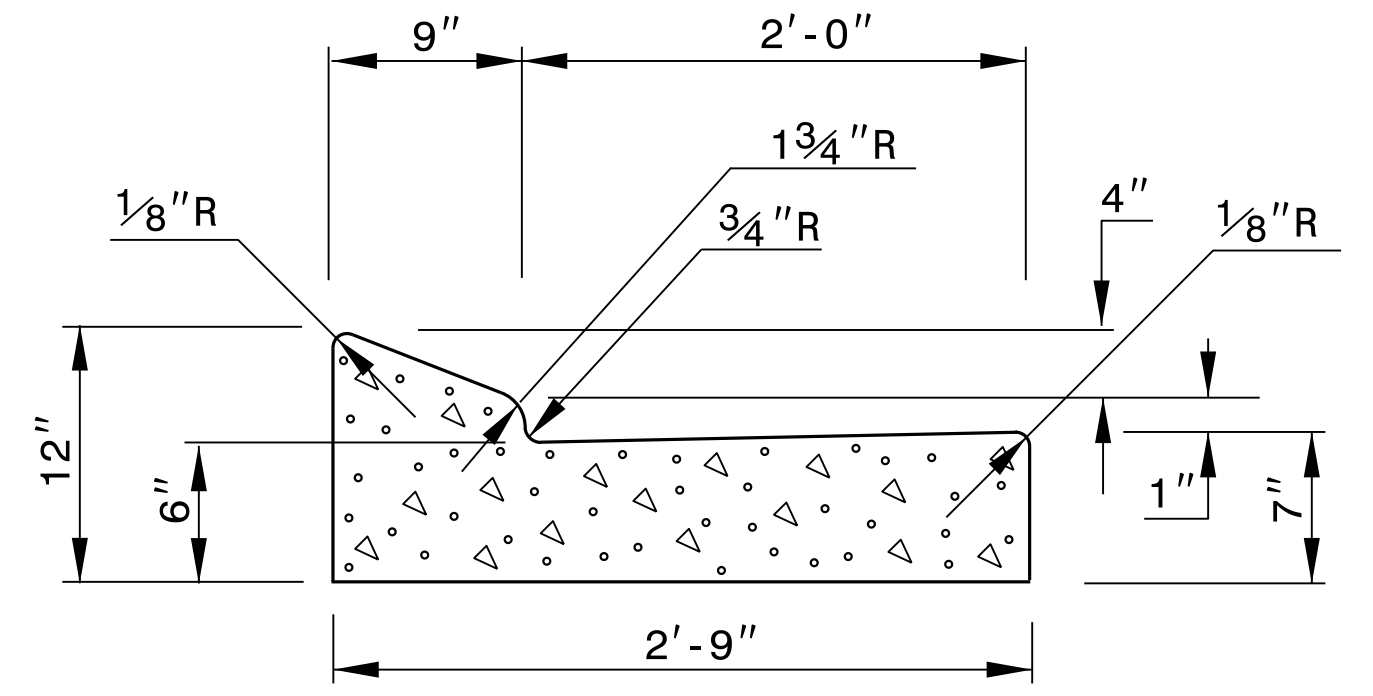
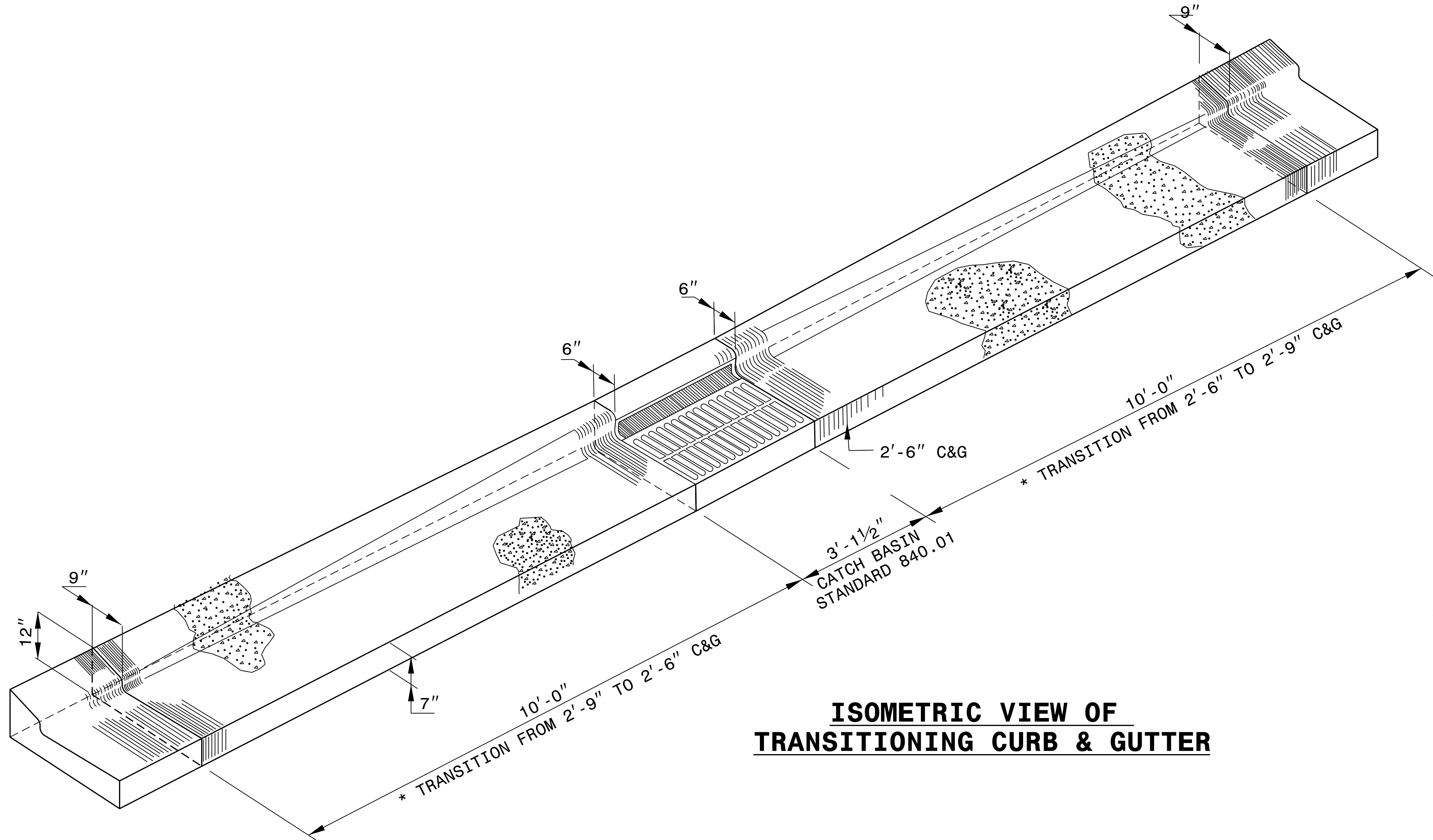


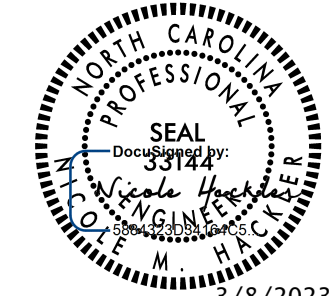
NOTE: SEE STD.DWG. 846.01 FOR  
2'-6" CURB AND GUTTER  
INFORMATION.



\* MAINTAIN THE EDGE OF PAVEMENT. TRANSITION THE CURB ALONG THE BACK OF THE CURB.

22-OCT-2019 07:30 S:\Contracts\Contractors\Special Details\vericard\usr\details\stand\c&g transition sections.dgn .jhoverton AT USD-292595

DOCUMENT NOT CONSIDERED FINAL  
UNLESS ALL SIGNATURES COMPLETED



**CONTRACT STANDARDS  
AND DEVELOPMENT UNIT**  
Office 919-707-6950 FAX 919-250-4119

**CATCH BASIN IN  
2'-9" CURB AND GUTTER**

ORIGINAL BY: \_\_\_\_\_ DATE: \_\_\_\_\_  
MODIFIED BY: tspell DATE: july 14,2009  
CHECKED BY: \_\_\_\_\_ DATE: \_\_\_\_\_  
FILE SPEC.: s:eric/usr/details/stand/cqtranst.dgn