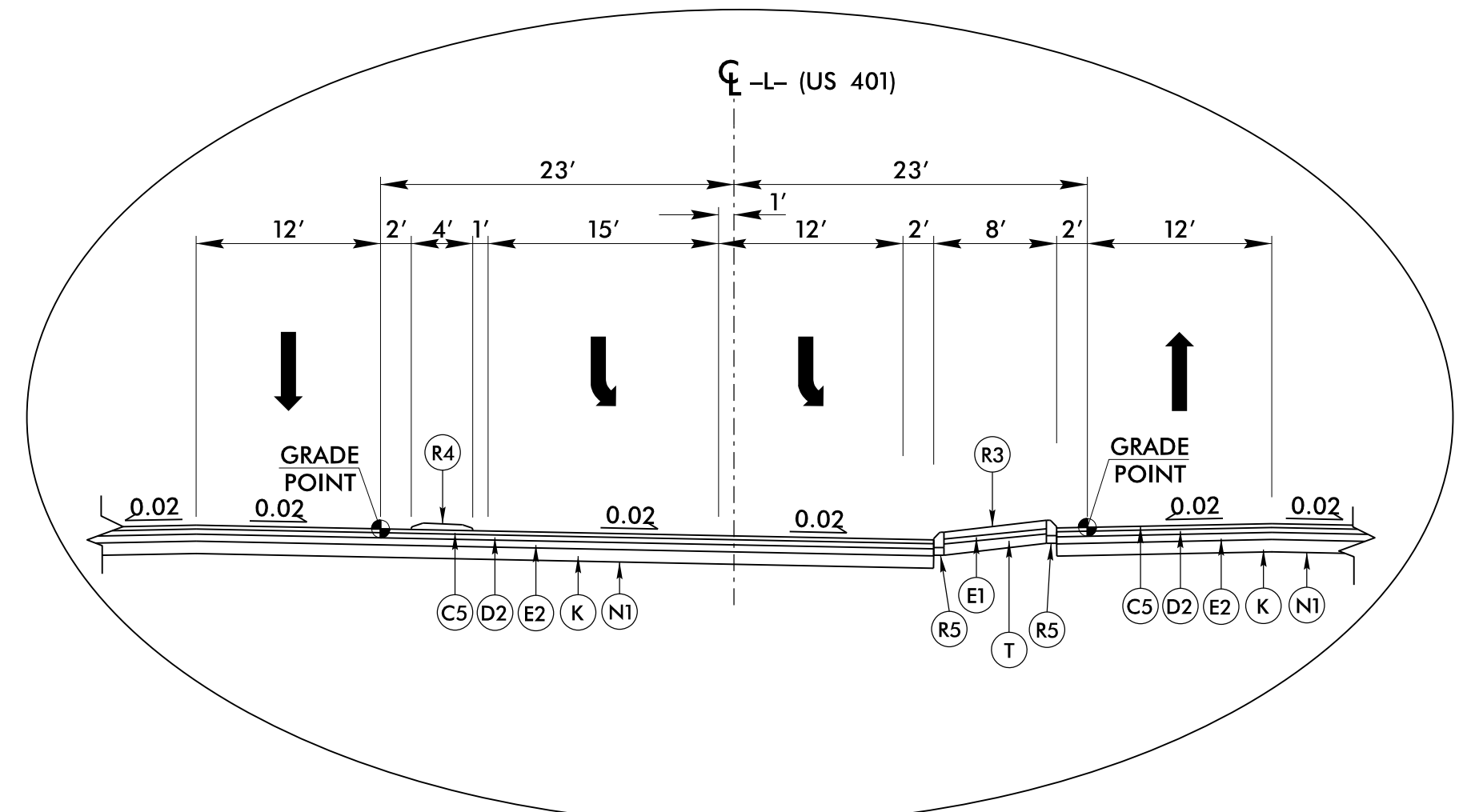
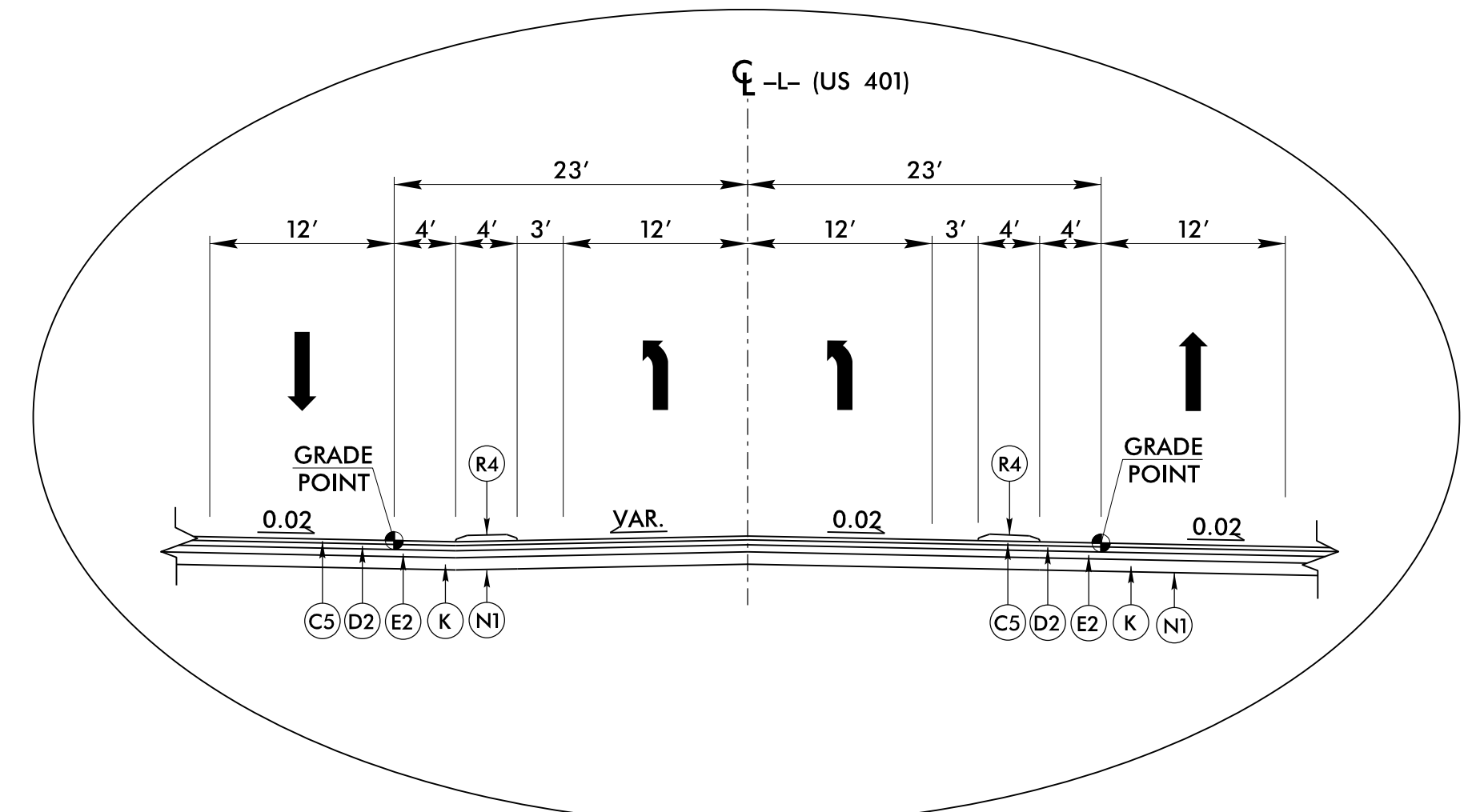


3/10/2023 3:44 PM C:\Users\ben\OneDrive\Documents\60609754-U-5748 Ligon Mill\900-CAD-GIS\910-CAD\70-NC001_TIP\Roadway\Proj\U5748_rdy_tjip.dgn
 6/2/2019

PROJECT REFERENCE NO. <i>U-5748</i>	SHEET NO. <i>2A-4</i>
ROADWAY DESIGN ENGINEER <i>CLAYTON S. MORRISON</i>	PAVEMENT DESIGN ENGINEER <i>CLAYTON S. MORRISON</i>
DOCUMENT NOT CONSIDERED FINAL UNLESS ALL SIGNATURES COMPLETED	
Prepared in the Office of: AECOM <small>NC FIRM LICENSE No. F-0342 5438 Wade Park Boulevard, Suite 200 Raleigh, NC 27607 (919) 854-6200 • (919) 854-6259 (FAX)</small>	

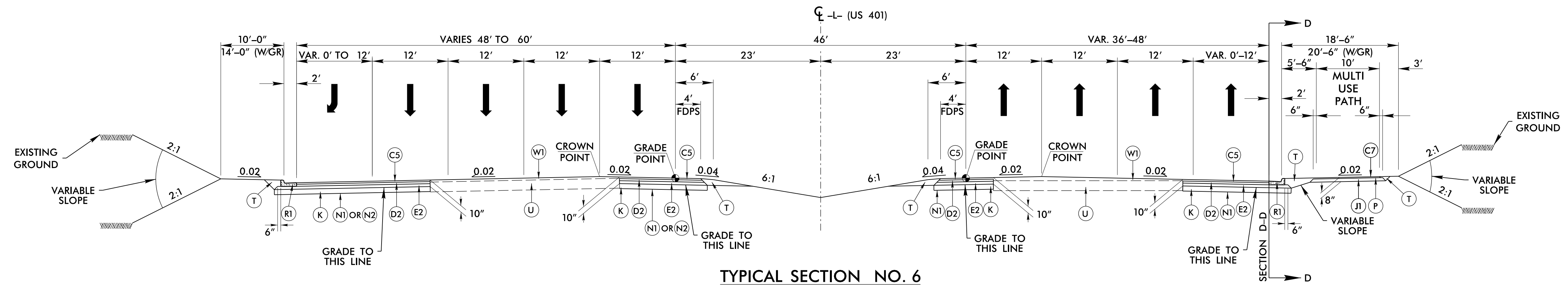


INSET 5A
 -L- STA. 39+54.25 TO STA. 42+47.78
 (REFER TO TYPICAL SECTION NO. 5 FOR PAVEMENT DESIGN)



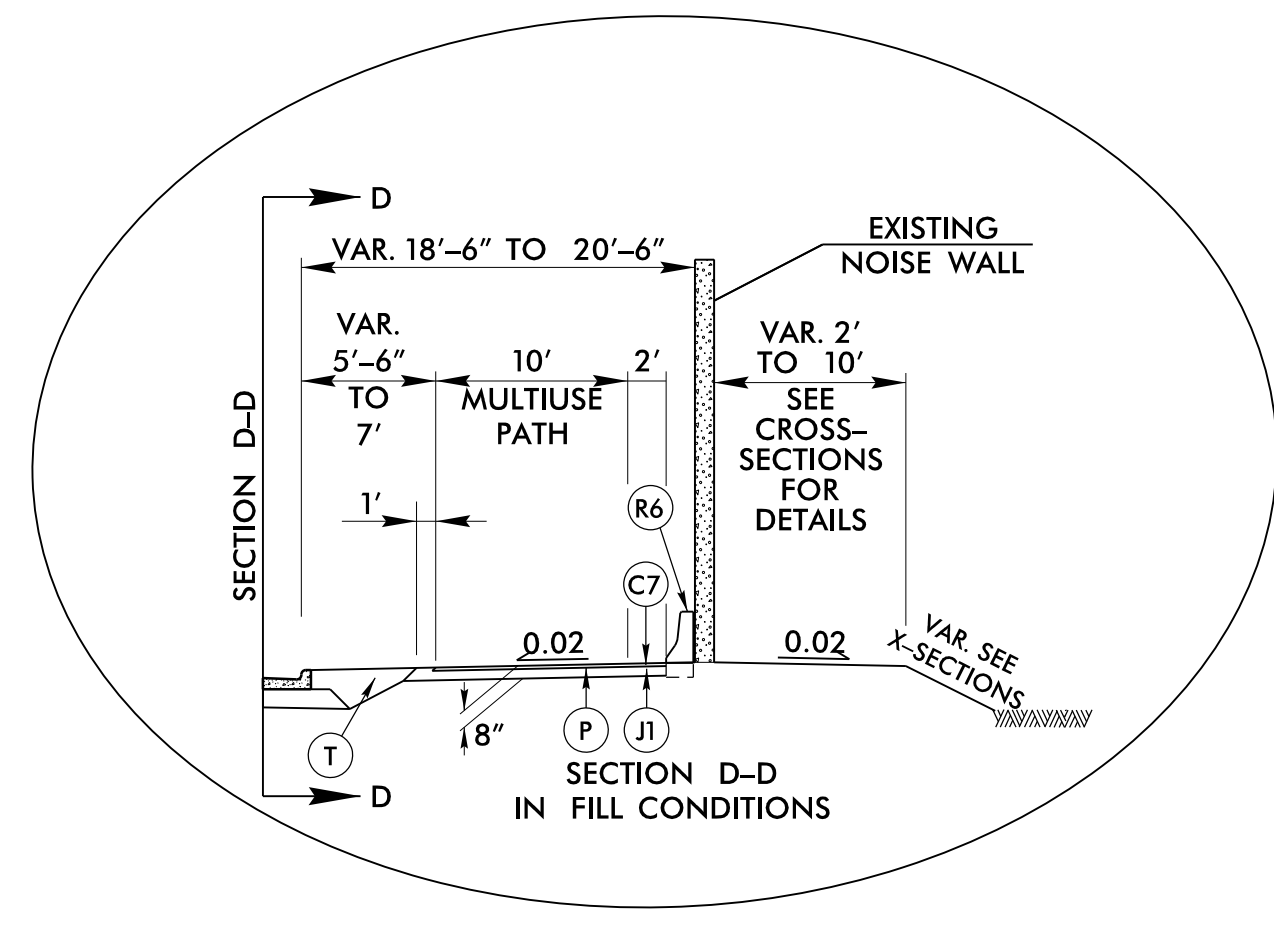
INSET 5B
 -L- STA. 45+25.84 TO STA. 49+55.00
 (REFER TO TYPICAL SECTION NO. 5 FOR PAVEMENT DESIGN)

INSET 5A & 5B
 (TO BE USED WITH TYPICAL SECTION NO. 5)



TYPICAL SECTION NO. 6

USE TYPICAL SECTION NO. 6
 -L- STA. 50+14.31 TO STA. 85+17.14
 SEE DETAIL 6A & 6B ON SHEET 2A-5 FOR LEFT TURN LANE DETAILS



(USE WITH TYPICAL SECTION 6)

C1	1 1/2" S9.5B
C2	3" S9.5B
C3	VAR. S9.5B
C4	1 1/2" S9.5C
C5	3" S9.5C
C6	VAR. S9.5C
C7	2" S9.5B
C8	2" S9.5C
D1	2 1/2" I19.0C
D2	4" I19.0C
D3	VAR. I19.0C
E1	4" B25.0C
E2	3" B25.0C
E3	VAR. B25.0C
J1	6" ABC
J2	8" ABC
K	8" CLASS IV S.S.
N1	GEOTEXT. SOIL S.
N2	GEOTEXT. SUB.S.
P	PRIME COAT
R1	2'-6" C & G
R2	2'-9" C & G
R3	4" CONC. ISL. COV.
R4	5" MONO. ISLAND
R5	8"x18" CONC. CURB
R6	S.F. BARRIER
S	CONC. SIDEWALK
T	EARTH MATERIAL
U	EXST. PAVEMENT
V1	1 1/2" MILLING
V2	VAR. MILLING
V3	3" MILLING
W1	WEDGING DET. #1
W2	WEDGING DET. #2
W3	WEDGING DET. #3