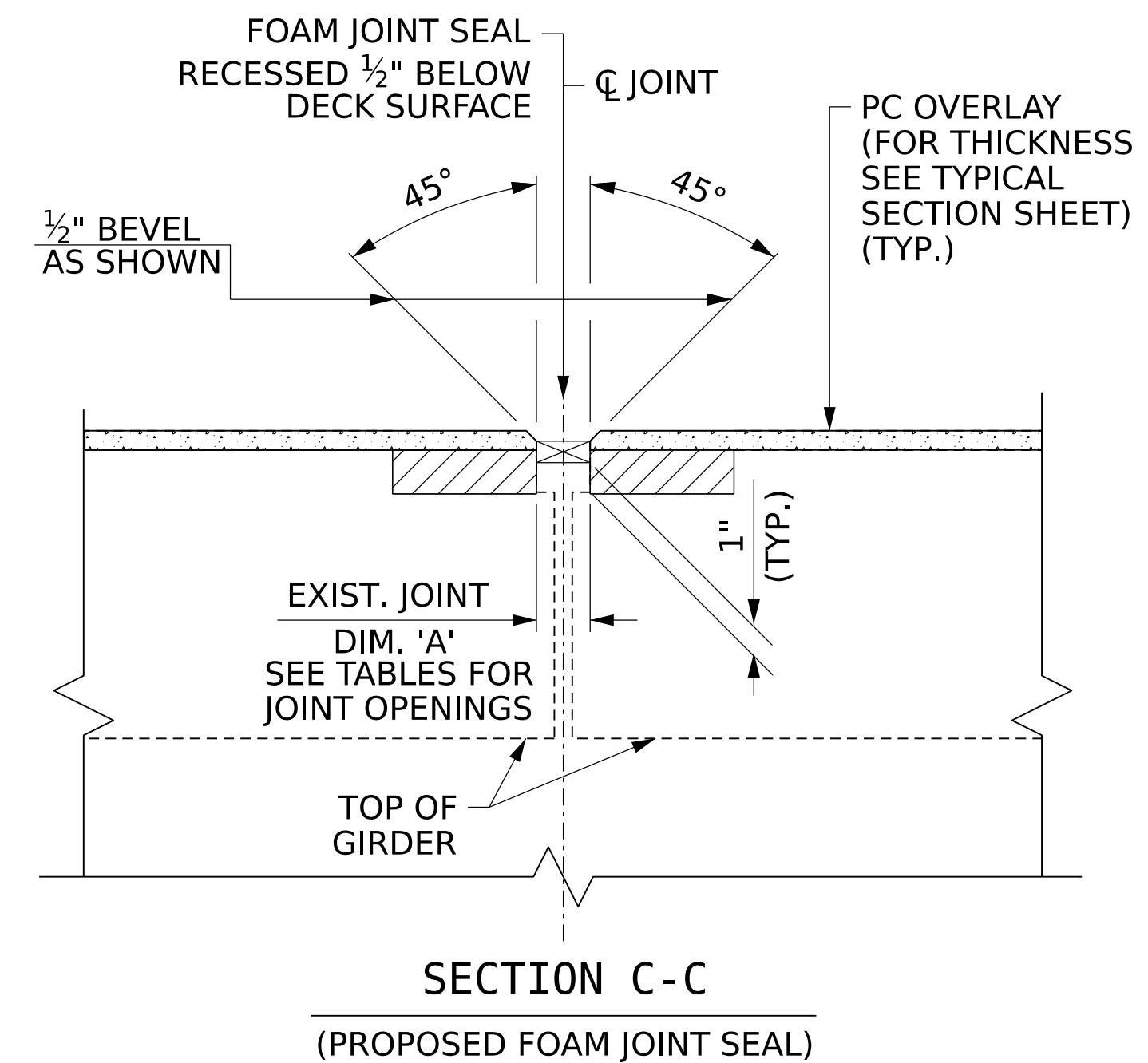
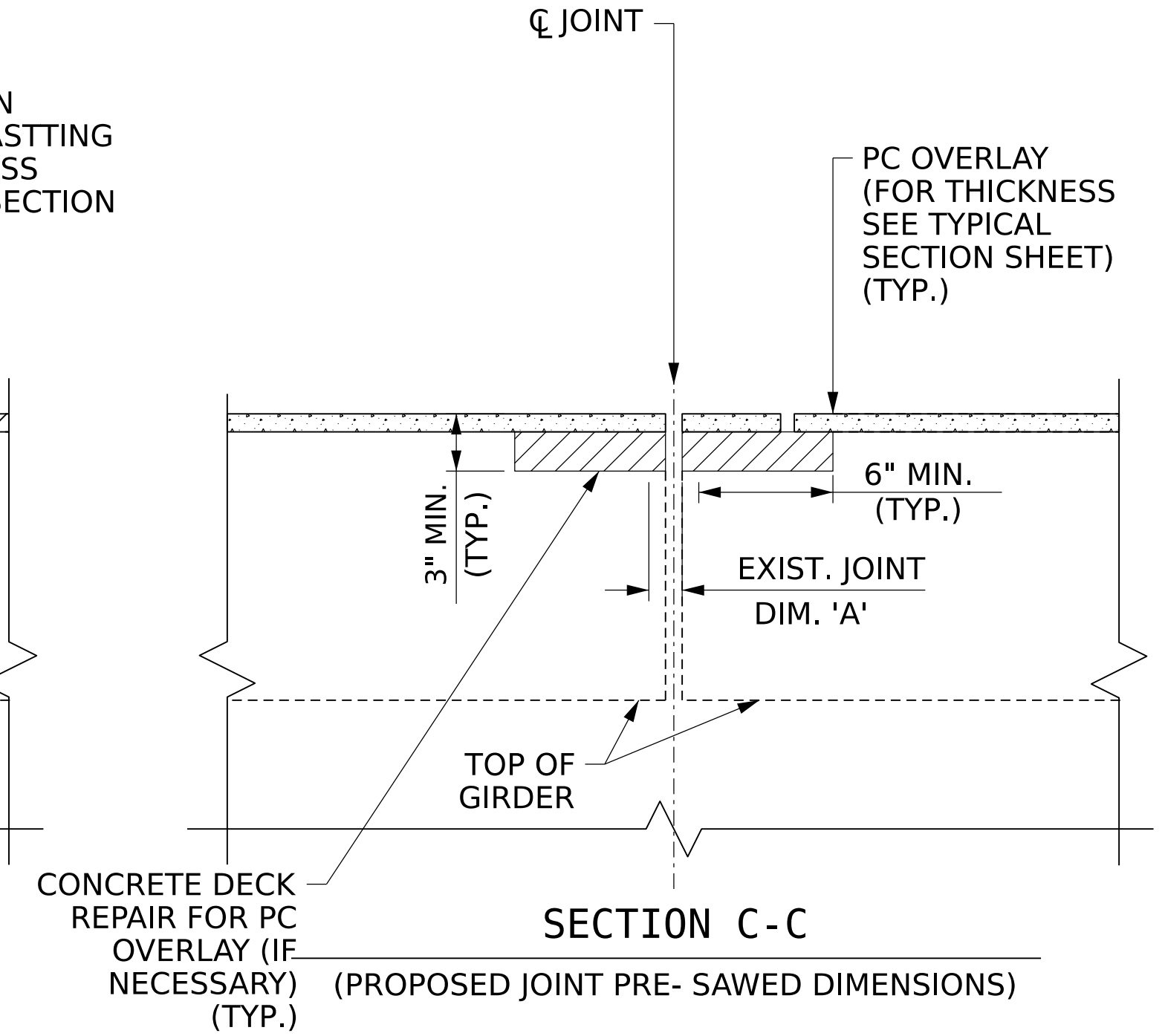
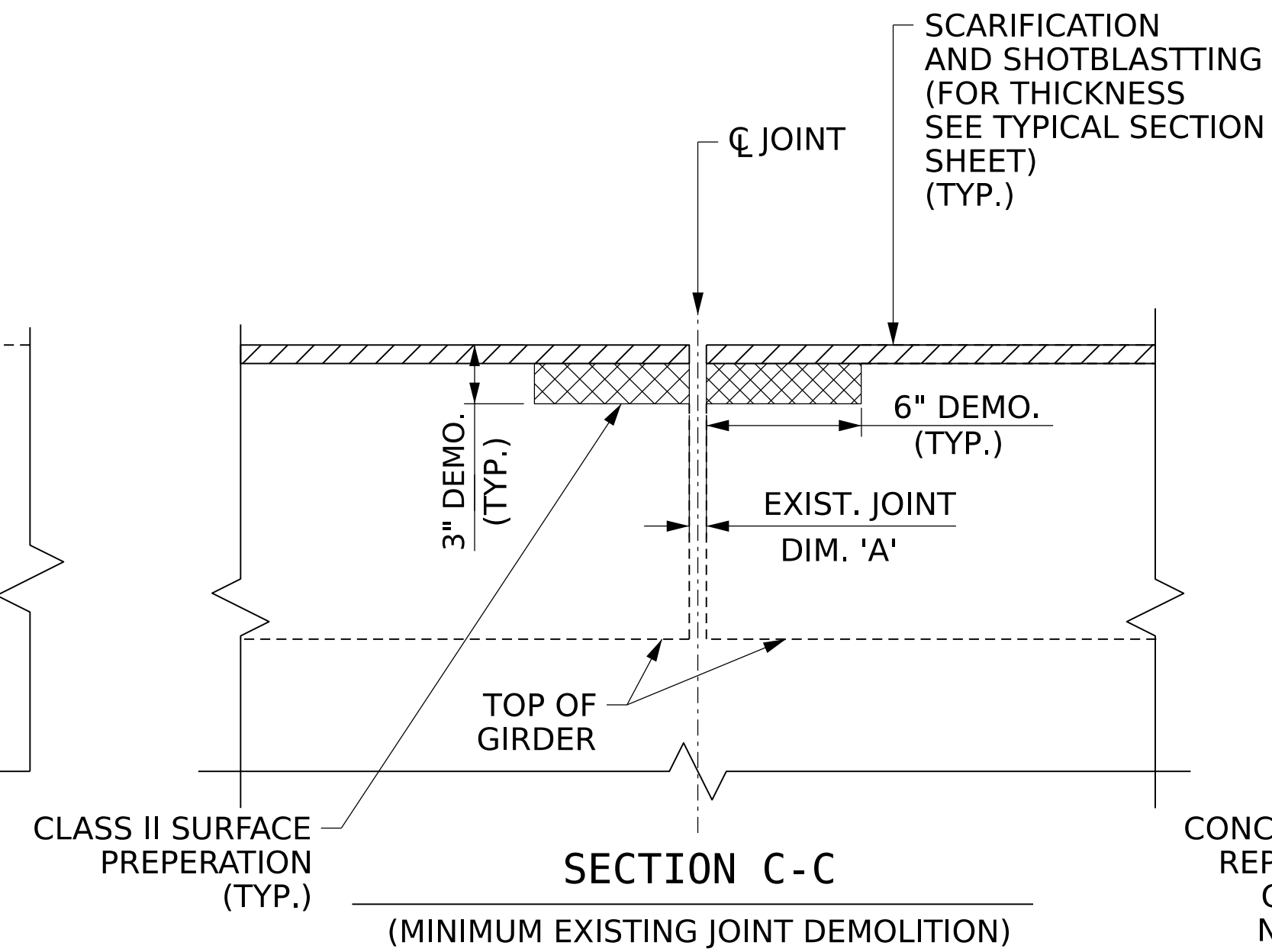
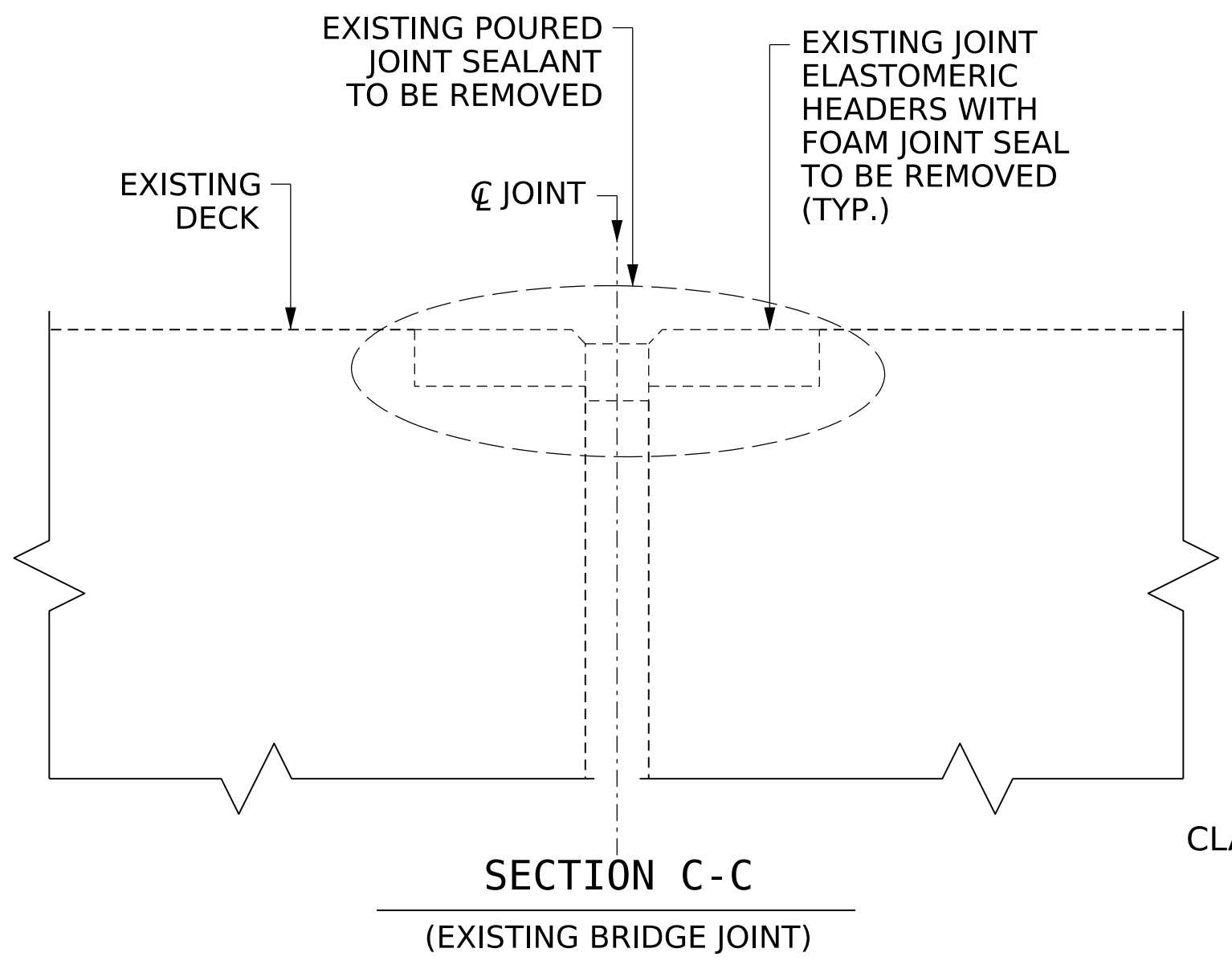
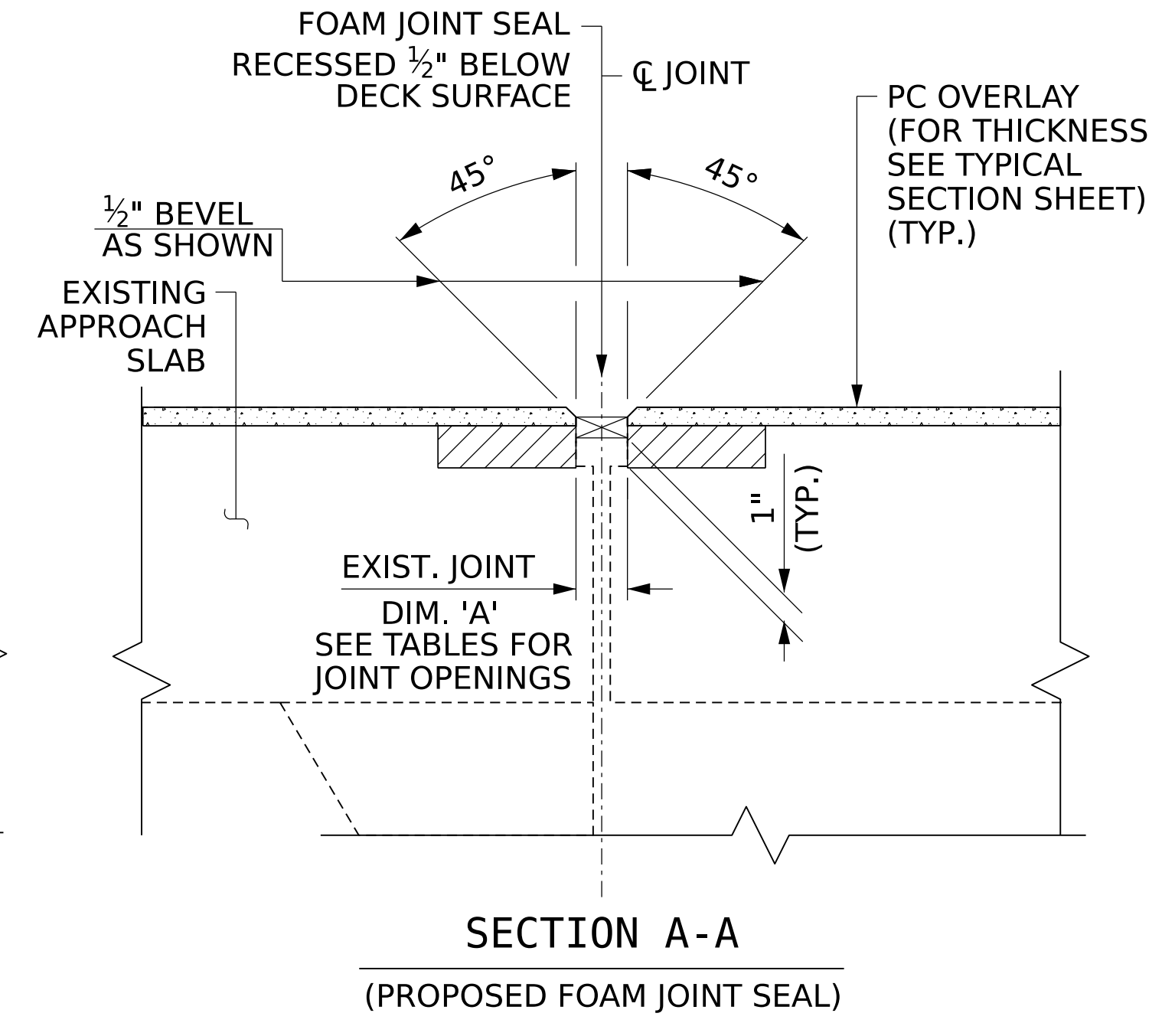
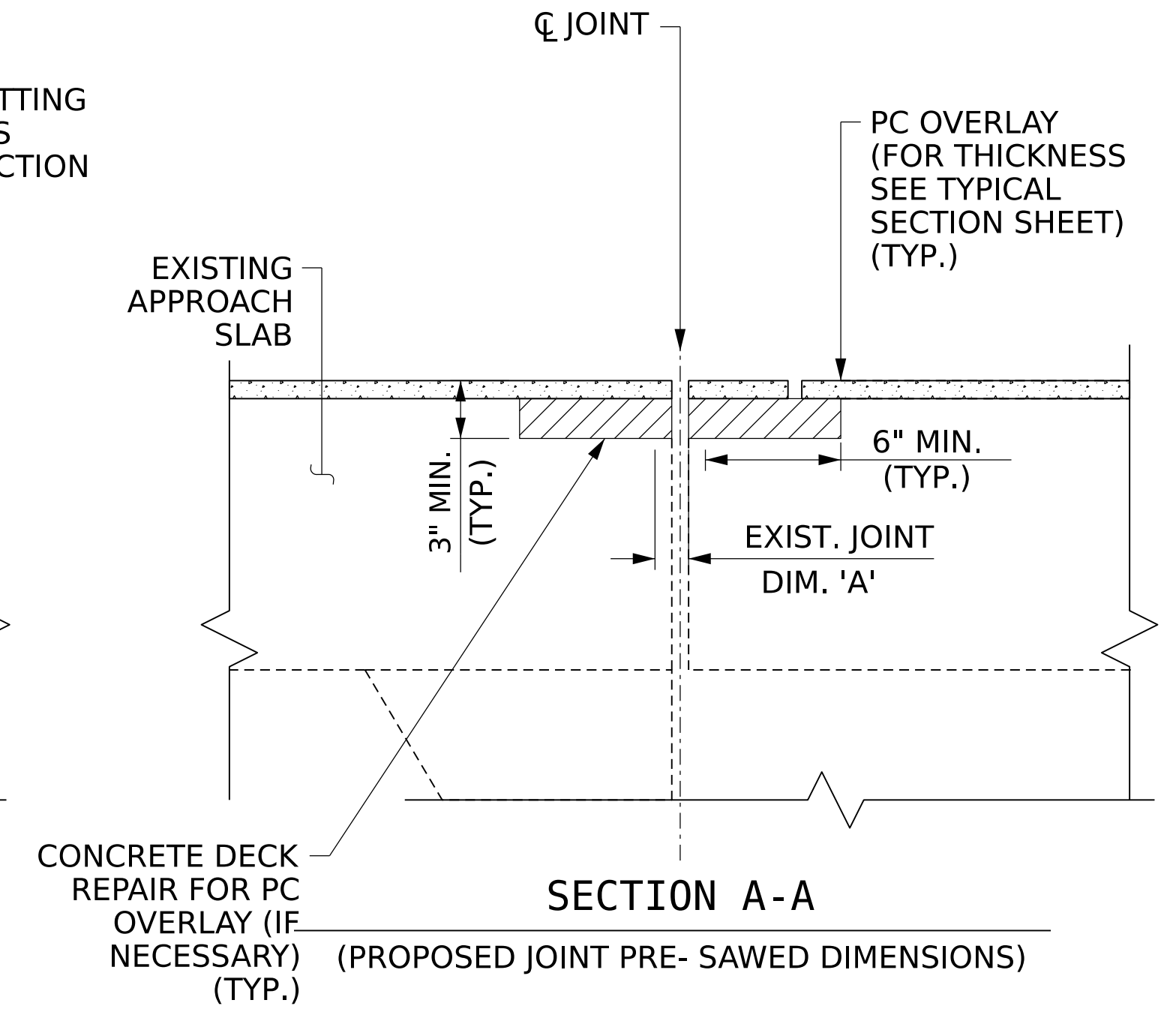
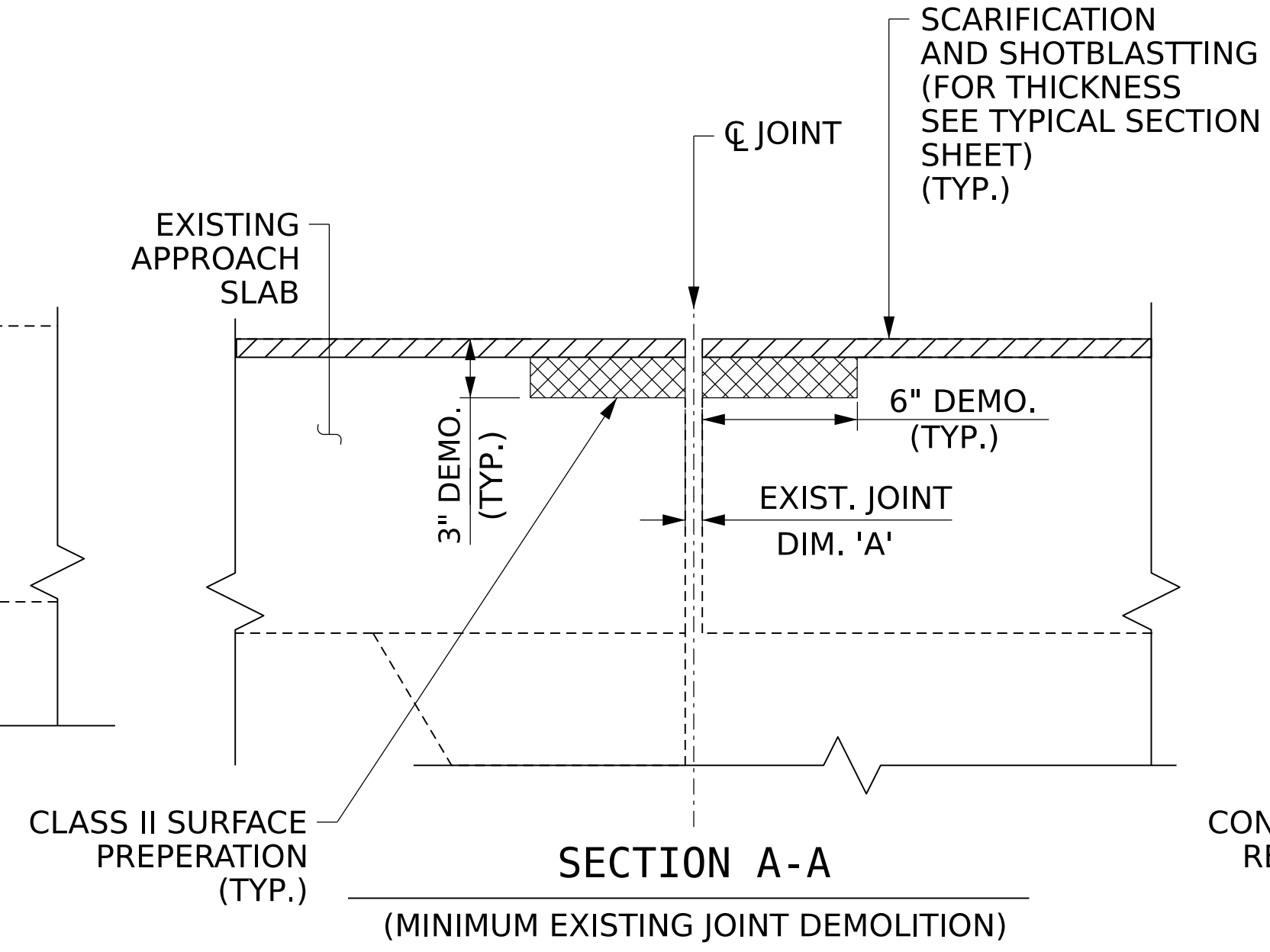
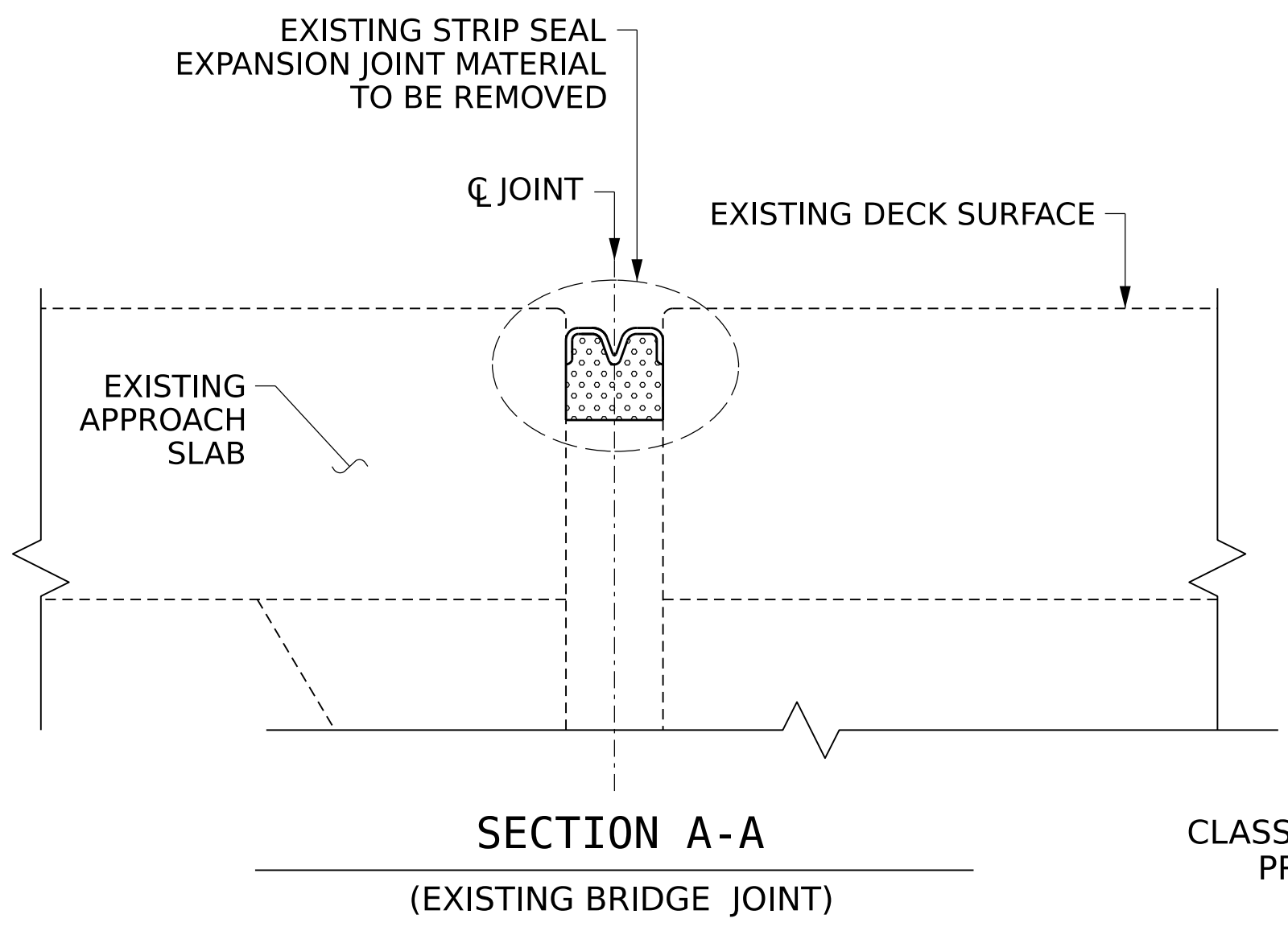


PRELIMINARY PLANS
DO NOT USE FOR CONSTRUCTION



PROJECT NO. I-6039
NEW HANOVER COUNTY
 BRIDGE NO. 640045
 SHEET 1 OF 3



STATE OF NORTH CAROLINA DEPARTMENT OF TRANSPORTATION RALEIGH					
JOINT DETAILS					
REVISIONS					SHEET NO.
NO.	BY:	DATE:	NO.	BY:	DATE:
1			3		
2			4		
					TOTAL SHEETS
					13

DRAWN BY : FIDEL L. FLORES DATE : 01/2023
 CHECKED BY : ALLEN J. MCSWAIN DATE : 01/2023
 DESIGN ENGINEER OF RECORD: JACOB H. DUKE DATE : 01/2023

DOCUMENT NOT CONSIDERED FINAL
UNLESS ALL SIGNATURES COMPLETED

301 FAYETTEVILLE ST., SUITE 1500
 RALEIGH, NC 27601 (919) 992-7839
 NC FIRM LICENSE: C-1506