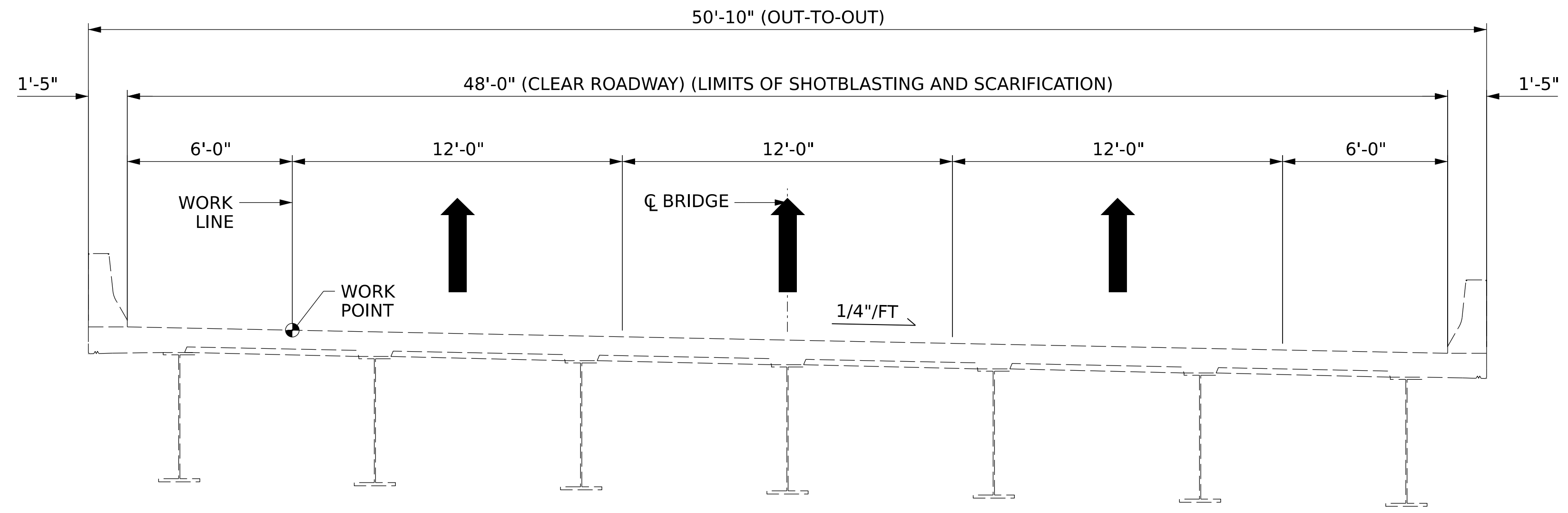
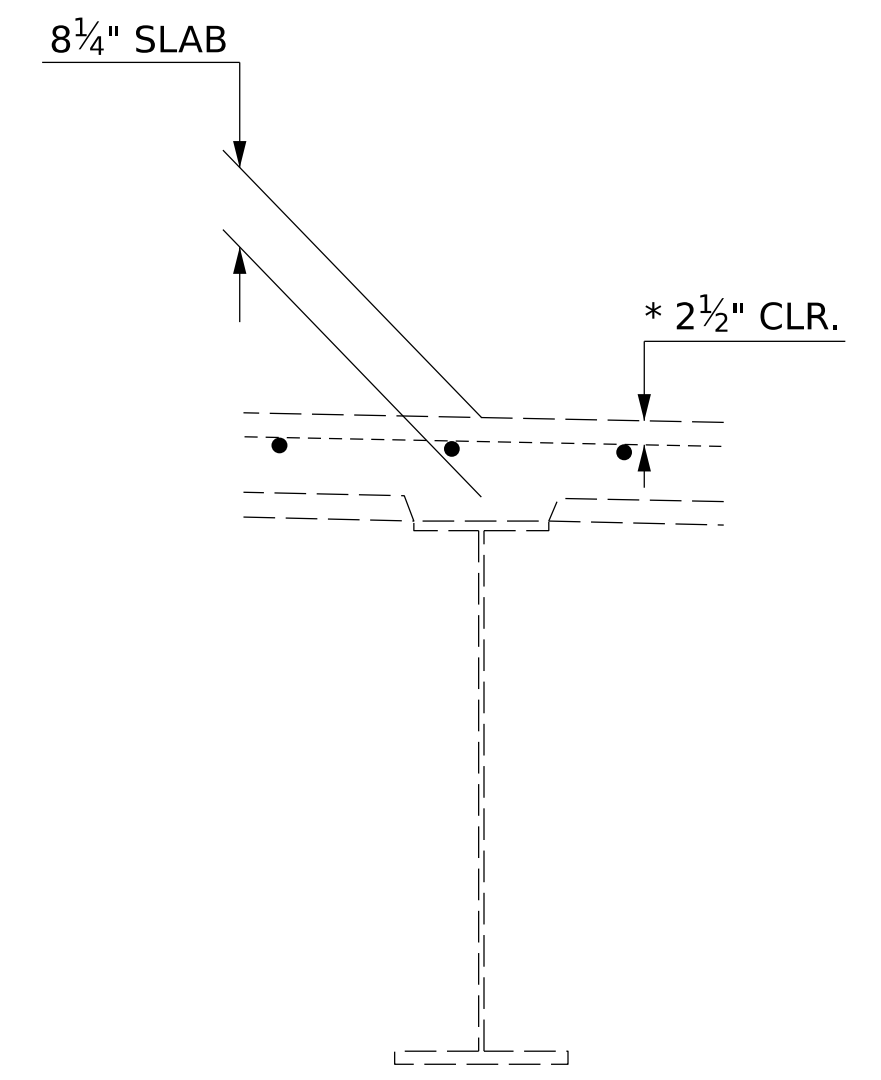


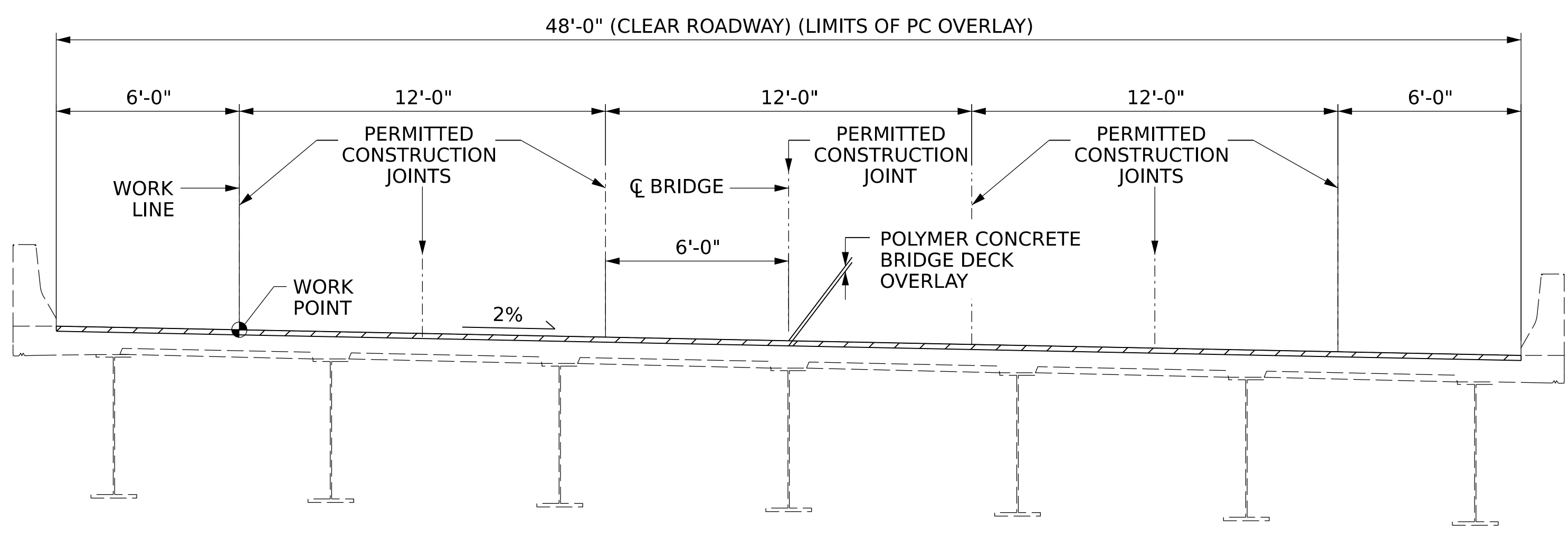
PRELIMINARY PLANS  
DO NOT USE FOR CONSTRUCTION



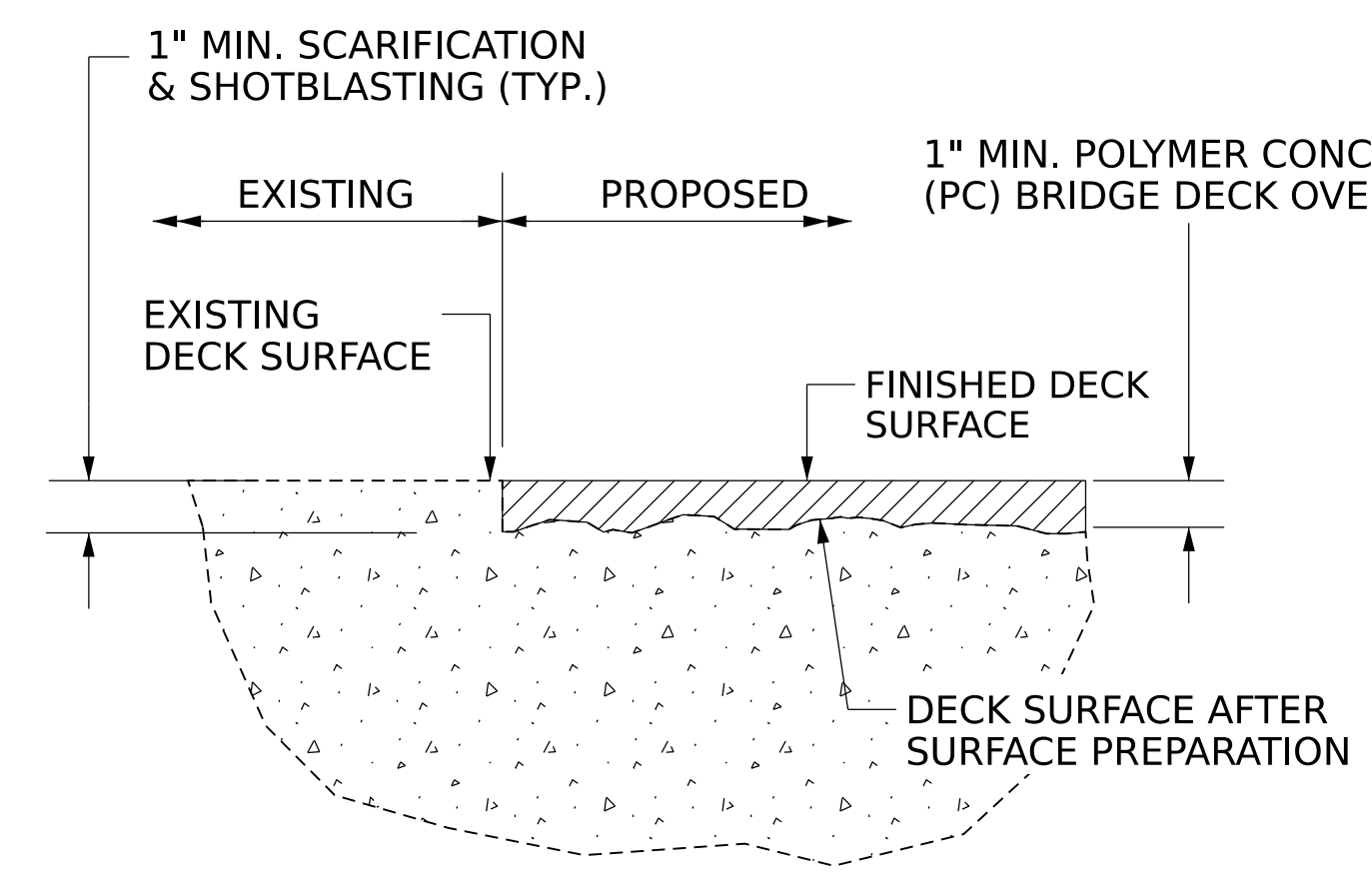
**EXISTING SECTION**  
(SPANS 1 - 3)  
(DIAPHRAGMS NOT SHOWN FOR CLARITY)



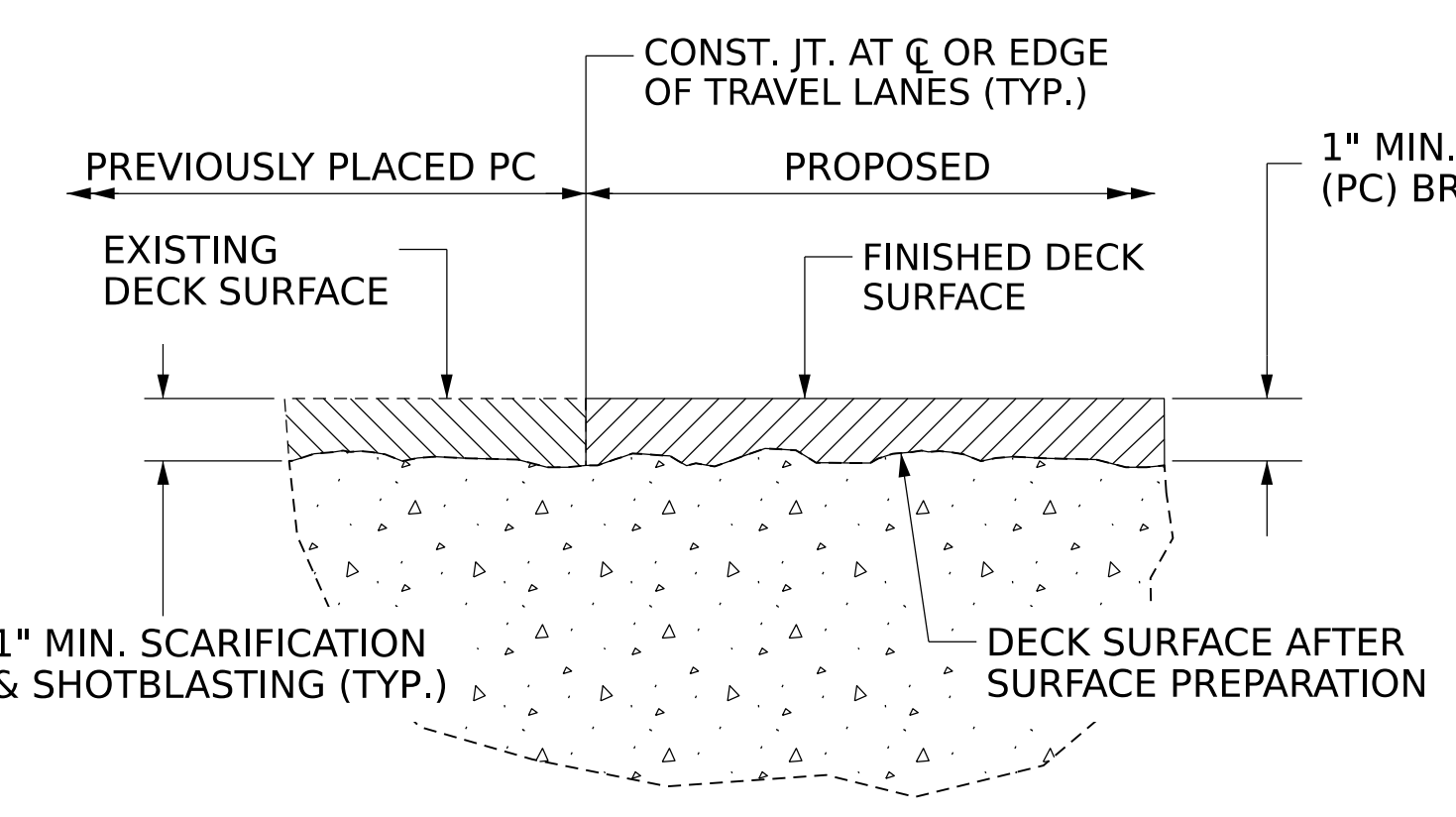
**EXISTING SLAB SECTION**  
(SPANS 1 - 3)  
\* CONCRETE COVER PER  
EXISTING PLANS DATED  
05/1981



**PROPOSED SECTION**  
(SPANS 1 - 3)  
(DIAPHRAGMS NOT SHOWN FOR CLARITY)



**DETAIL FOR PC OVERLAY**



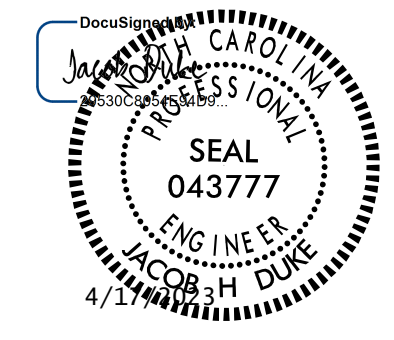
**DETAIL FOR STAGED PC OVERLAY**

- NOTES:**
- LONGITUDINAL CONSTRUCTION JOINTS OF OVERLAYS SHALL BE LOCATED ALONG THE CENTERLINE OR EDGE OF TRAVEL LANES.
  - SEE TRAFFIC MANAGEMENT PLANS FOR LANE WIDTHS, SEQUENCING, AND OTHER TRAFFIC CONTROL MEASURES FOR STAGING OF PC OVERLAY AND SURFACE PREPARATION.

DRAWN BY : AJ MCSWAIN DATE : 01/2023  
 CHECKED BY : SCOTT A BETZ DATE : 01/2023  
 DESIGN ENGINEER OF RECORD: JACOB H. DUKE DATE : 01/2023

4/17/2023  
640045\_16039.SMU.TS01.dgn  
jduke

DOCUMENT NOT CONSIDERED FINAL  
UNLESS ALL SIGNATURES COMPLETED



PROJECT NO. I-6039  
NEW HANOVER COUNTY  
 BRIDGE NO. 640045

STATE OF NORTH CAROLINA  
 DEPARTMENT OF TRANSPORTATION  
 RALEIGH  
**TYPICAL SECTION**  
 SPANS 1 - 3

REVISIONS						SHEET NO.
NO.	BY:	DATE:	NO.	BY:	DATE:	TOTAL SHEETS
1			3			13
2			4			

SHEET NO.  
**S2-2**