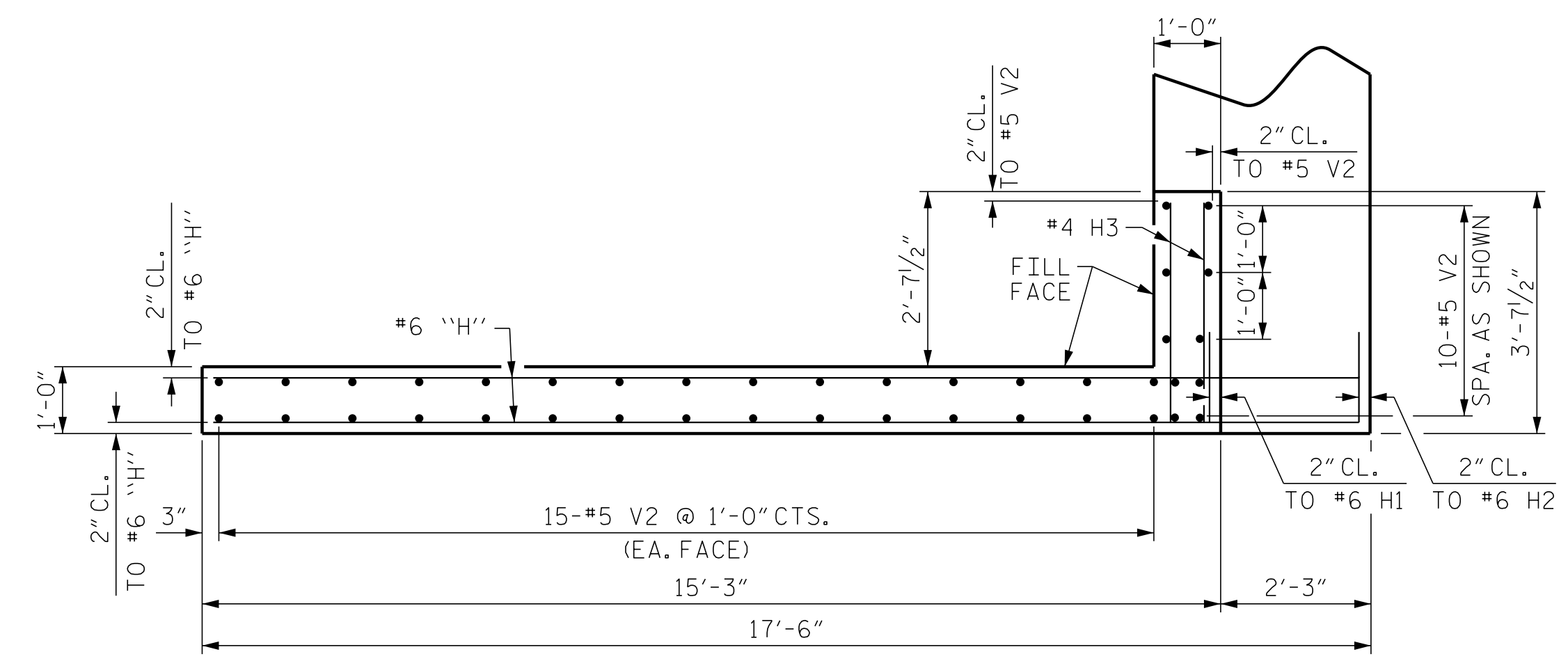
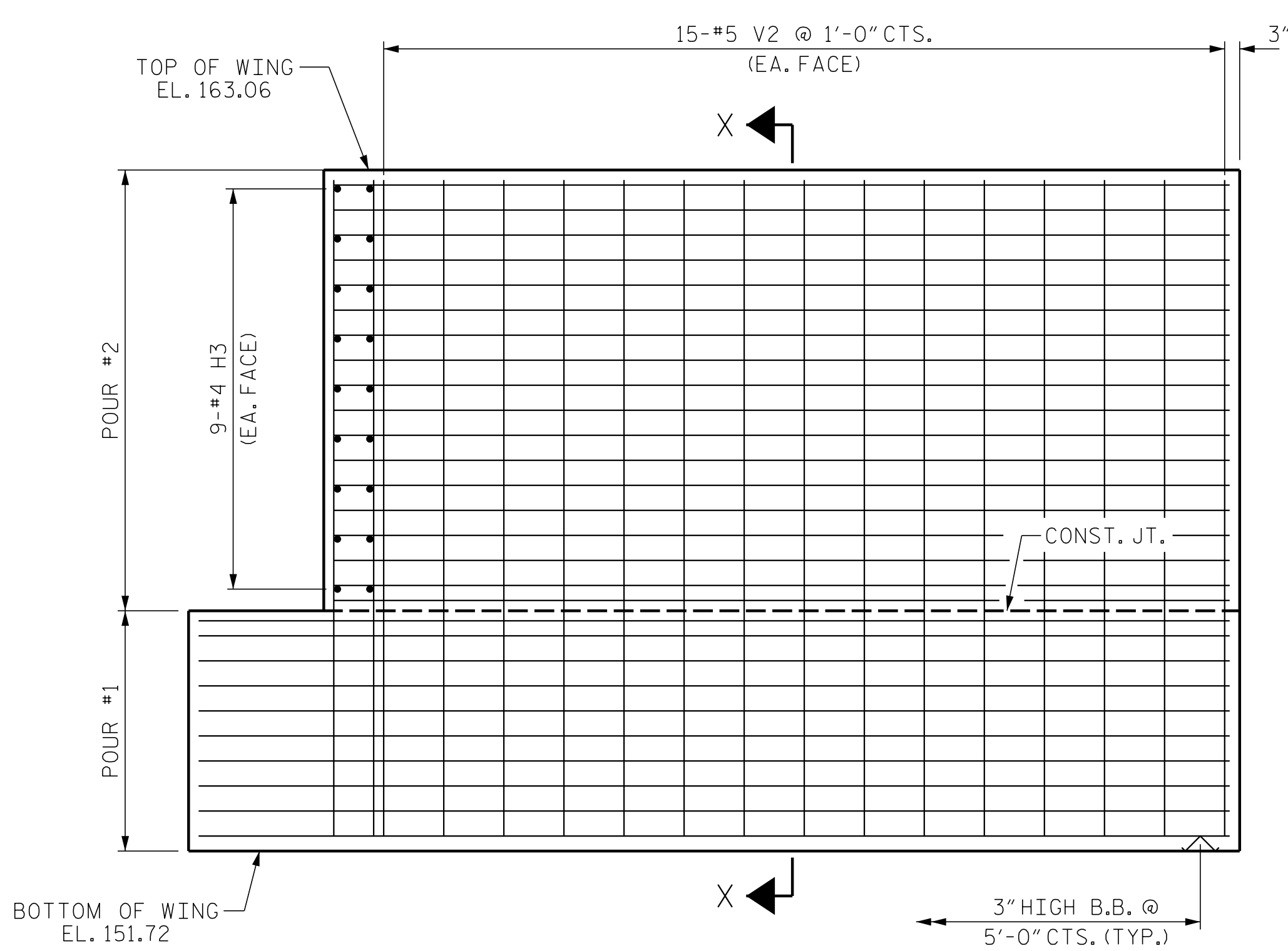


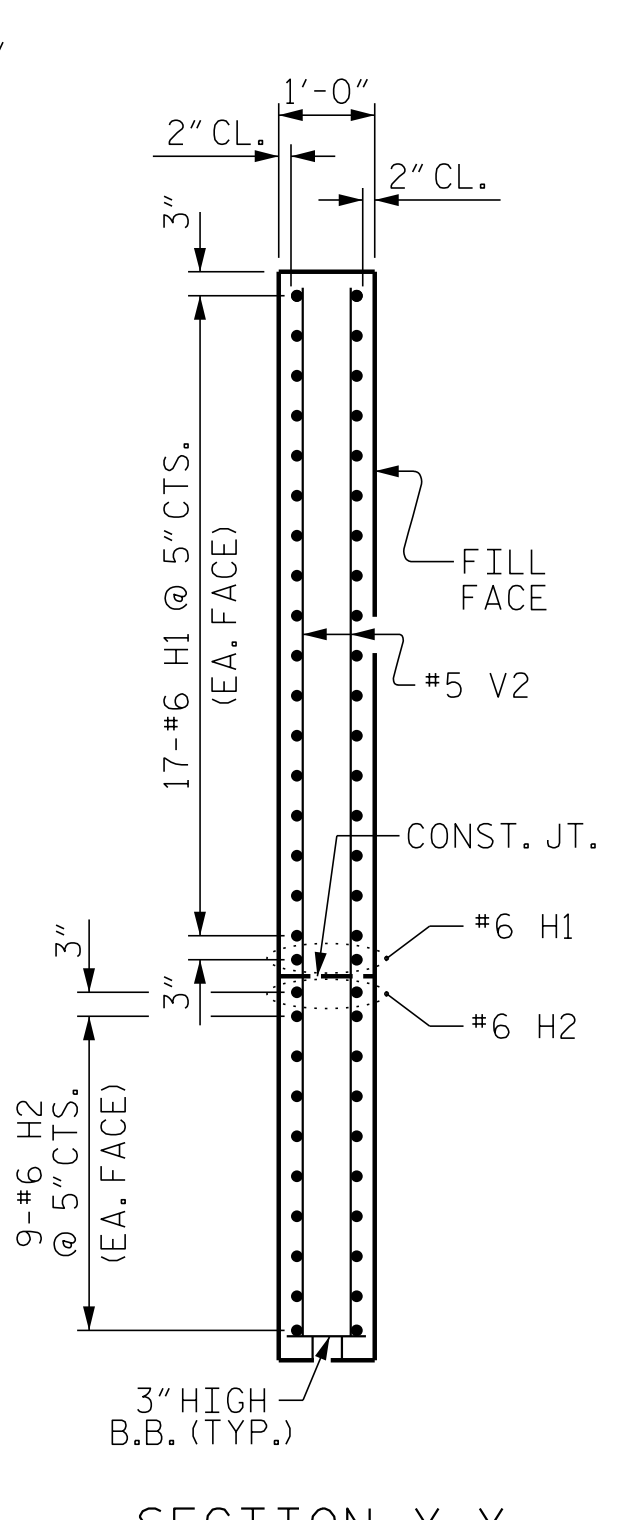
PLAN OF WING - W1



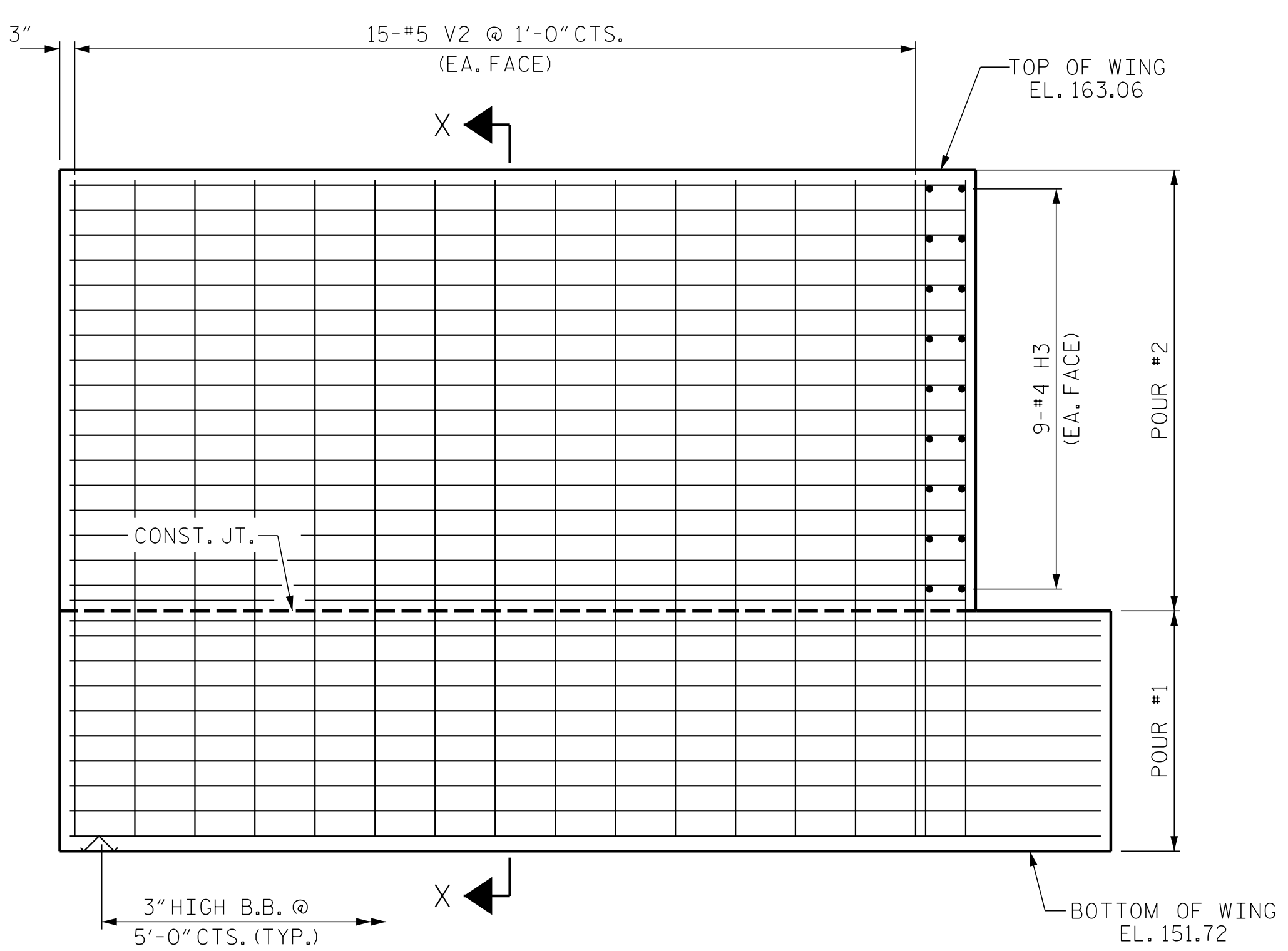
PLAN OF WING - W2



ELEVATION OF WING - W1



SECTION X-X



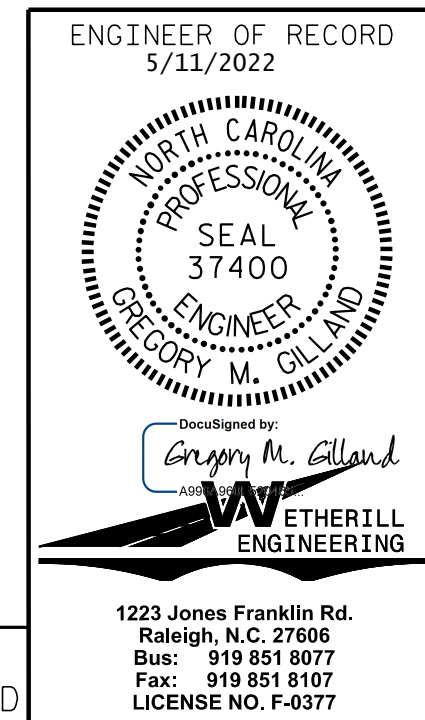
ELEVATION OF WING - W2

PROJECT NO. B-5947
NASH COUNTY
 STATION: 23+90.50 -LREV-
 SHEET 2 OF 3

P:\2019\19114\01_B-5947\Structures\DWG\401_001_B5947_SMU_EB_001.dgn
 5/11/2022 11:10:54 AM

DRAWN BY: G. GILLAND DATE: 6/20
 CHECKED BY: J. PENDERGRAFT DATE: 10/20

DOCUMENT NOT CONSIDERED FINAL
 UNLESS ALL SIGNATURES COMPLETED



1223 Jones Franklin Rd.
 Raleigh, N.C. 27606
 Bus: 919 851 8077
 Fax: 919 851 8107
 LICENSE NO. F-0377

ENGINEER OF RECORD 5/11/2022 NORTH CAROLINA PROFESSIONAL SEAL 37400 ENGINEER GREGORY M. GILLAND Gregory M. Gilland WETHERILL ENGINEERING					
STATE OF NORTH CAROLINA DEPARTMENT OF TRANSPORTATION RALEIGH SUBSTRUCTURE END BENT No. 1					
REVISIONS					
NO.	BY:	DATE:	NO.	BY:	DATE:
1			3		
2			4		
SHEET NO.					S-28
TOTAL SHEETS					39