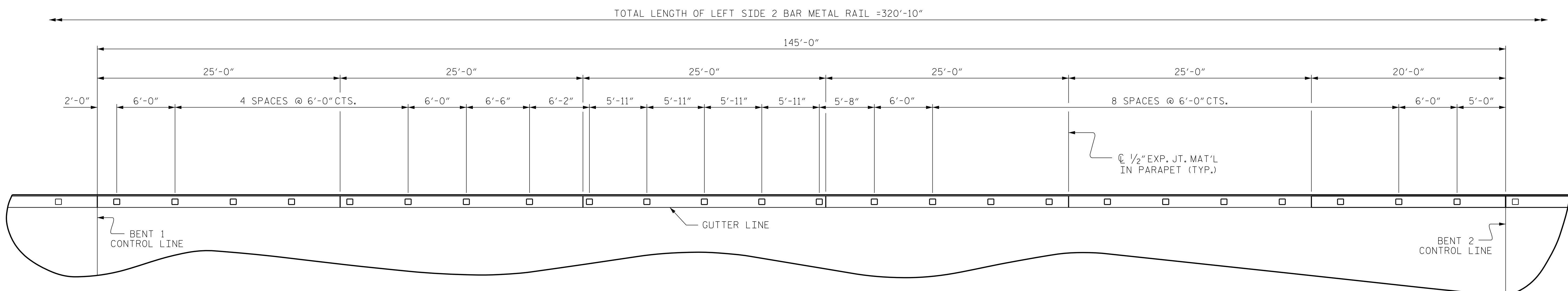
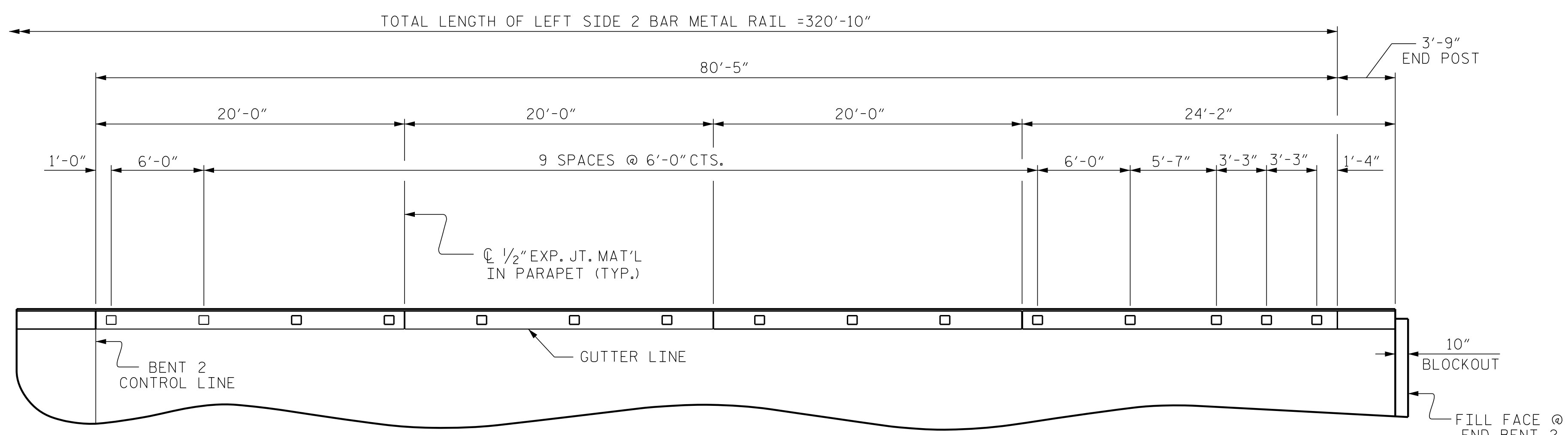


**PLAN OF RAIL POST SPACING - SPAN "A"**  
(LEFT SIDE PARAPET SHOWN, RIGHT SIDE SIMILAR)

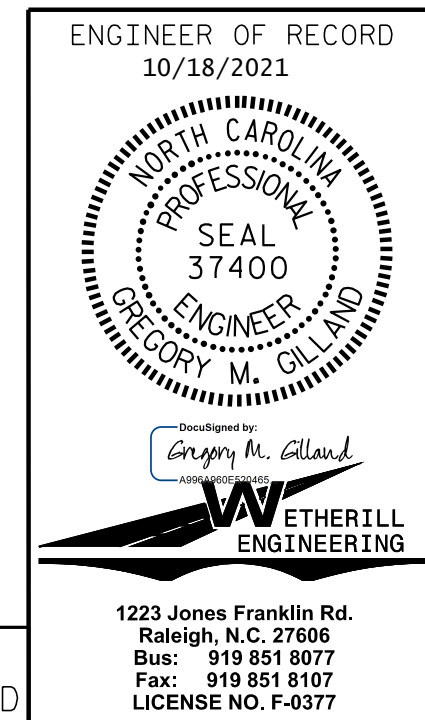


**PLAN OF RAIL POST SPACING - SPAN "B"**  
(LEFT SIDE PARAPET SHOWN, RIGHT SIDE SIMILAR)



**PLAN OF RAIL POST SPACING - SPAN "C"**  
(LEFT SIDE PARAPET SHOWN, RIGHT SIDE SIMILAR)

PROJECT NO. B-5947  
NASH COUNTY  
 STATION: 23+90.50 -LREV-  
 SHEET 1 OF 4



STATE OF NORTH CAROLINA DEPARTMENT OF TRANSPORTATION RALEIGH					
2 BAR METAL RAIL POST SPACING					
REVISIONS					
NO.	BY:	DATE:	NO.	BY:	DATE:
1			3		
2			4		
SHEET NO.					S-21
TOTAL SHEETS					39

DRAWN BY: D. HODGE DATE: 5/20  
 CHECKED BY: G. GILLILAND DATE: 6/20

DOCUMENT NOT CONSIDERED FINAL  
UNLESS ALL SIGNATURES COMPLETED

P:\2019\1911401\_B-5947\Structures\DGN\401\_001\_B5947\_SMU\_2BMR\_001.dgn  
 10/18/2021 11:07:17 AM