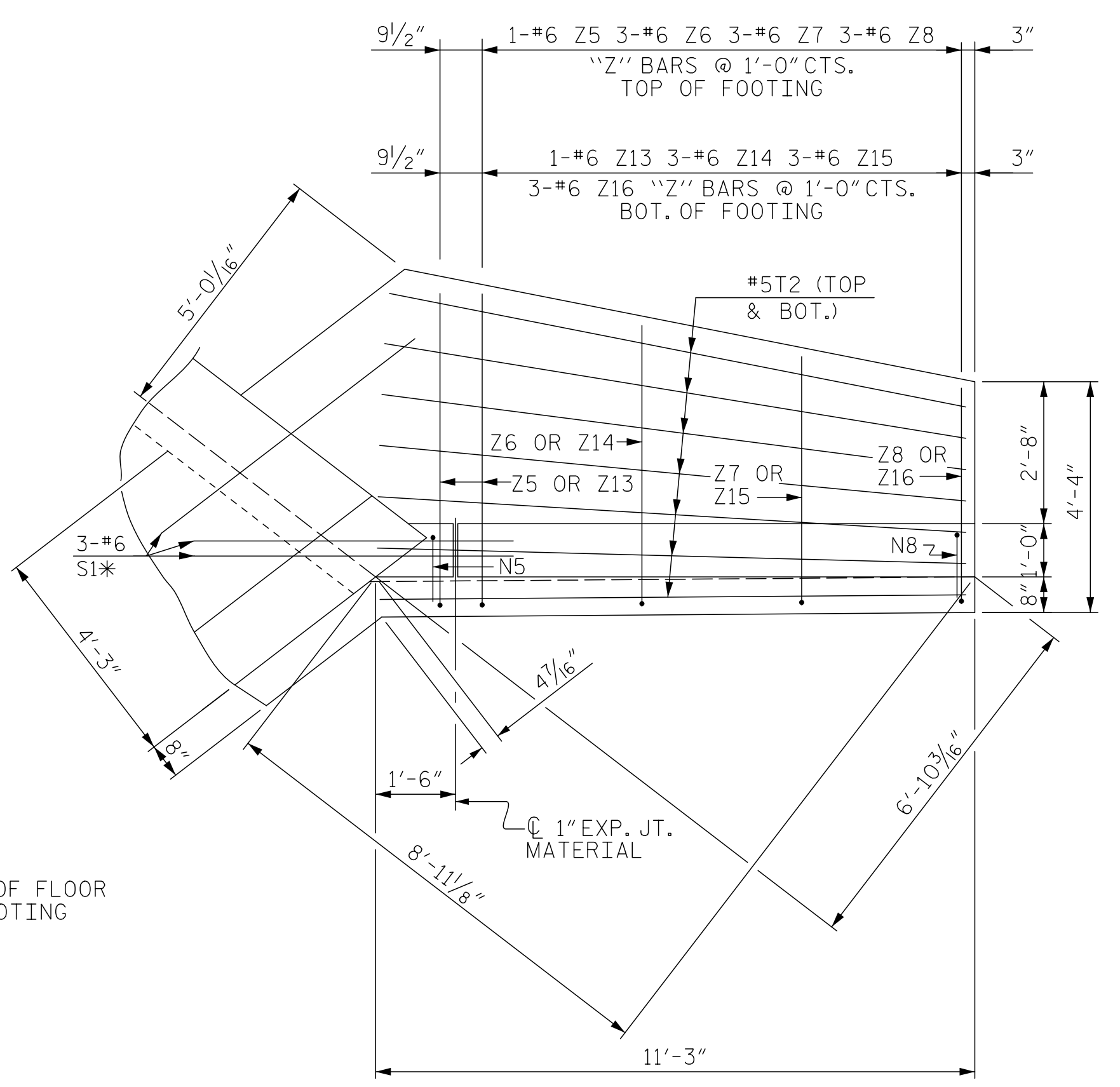
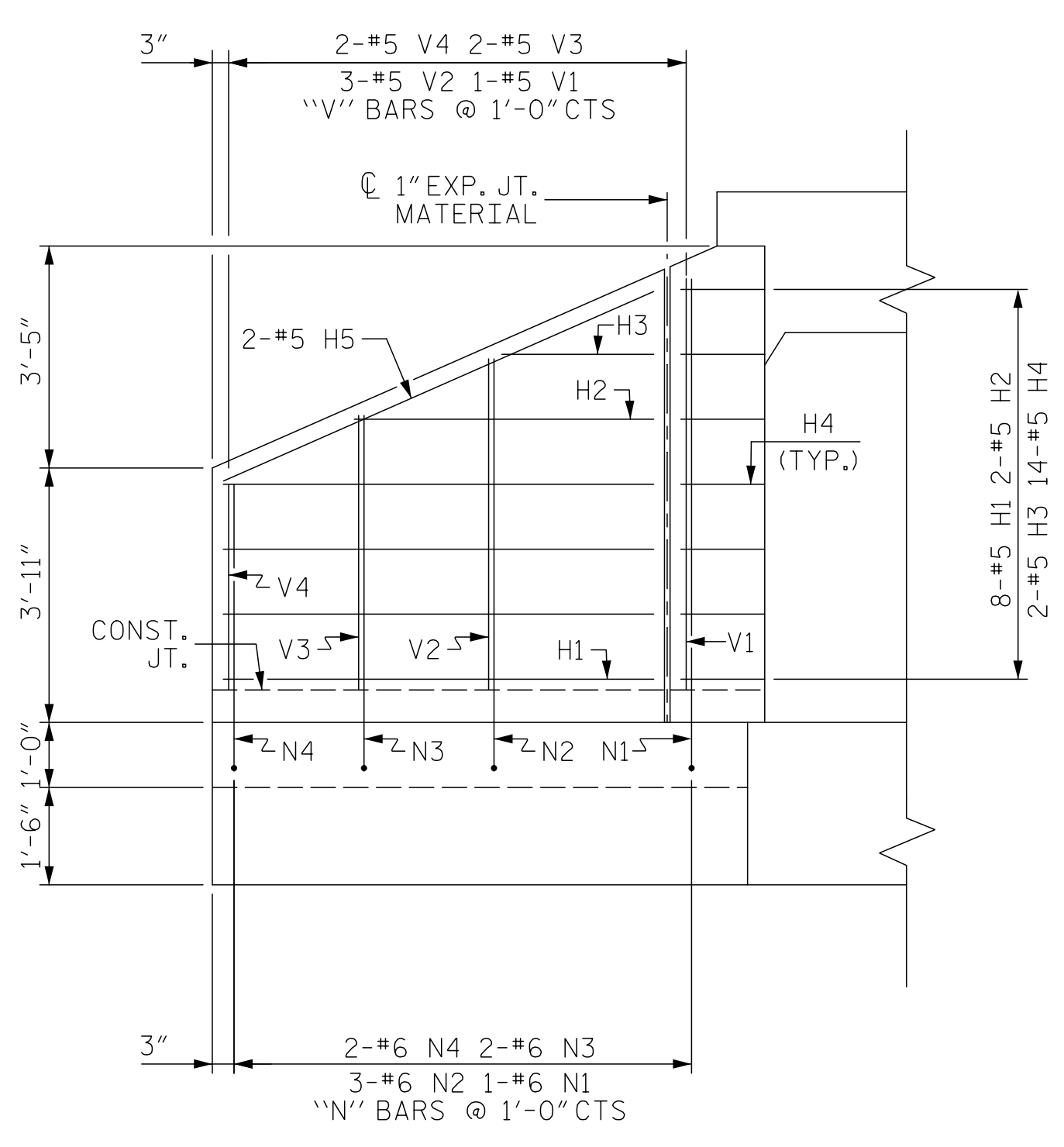


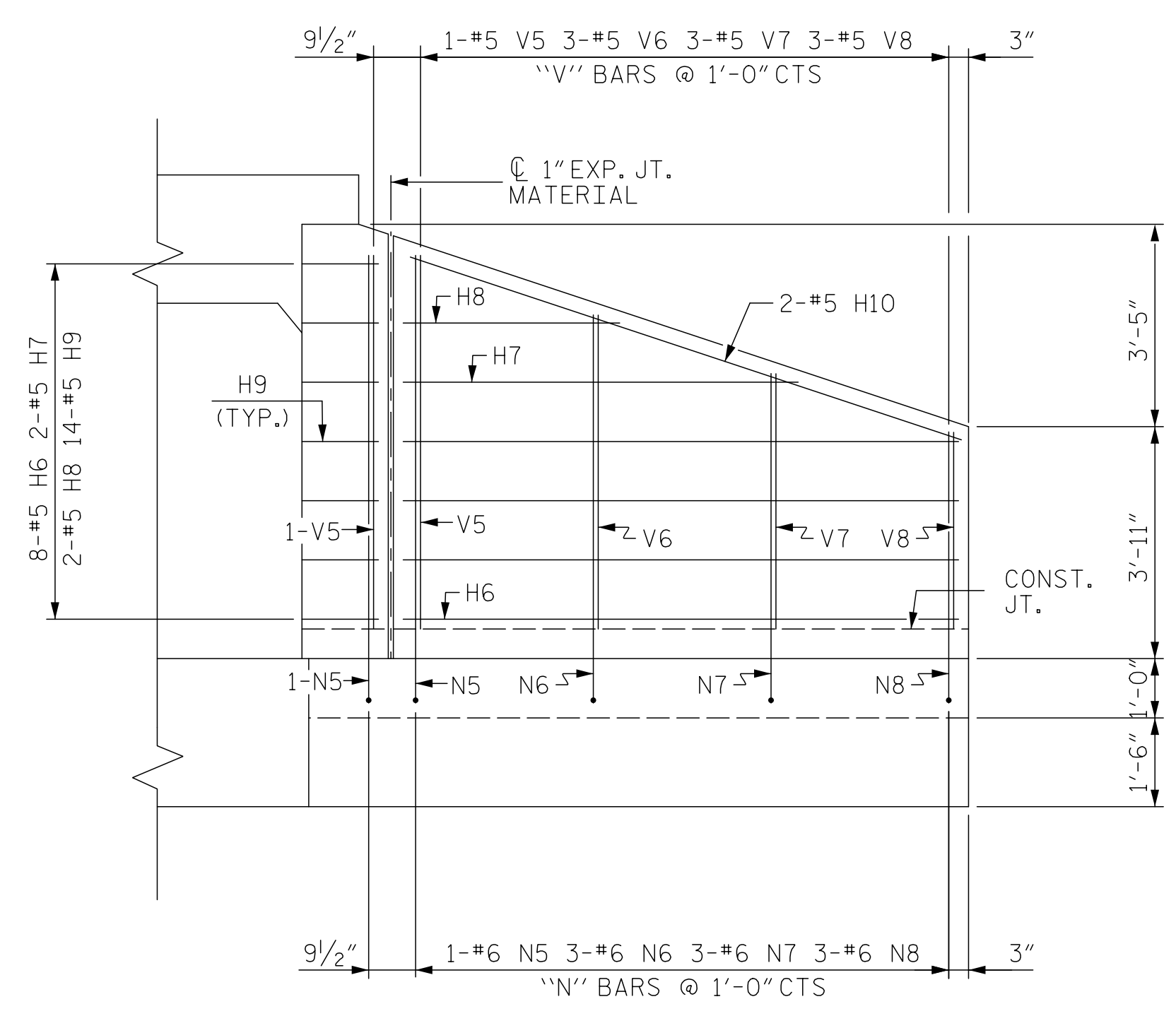
PLAN W2



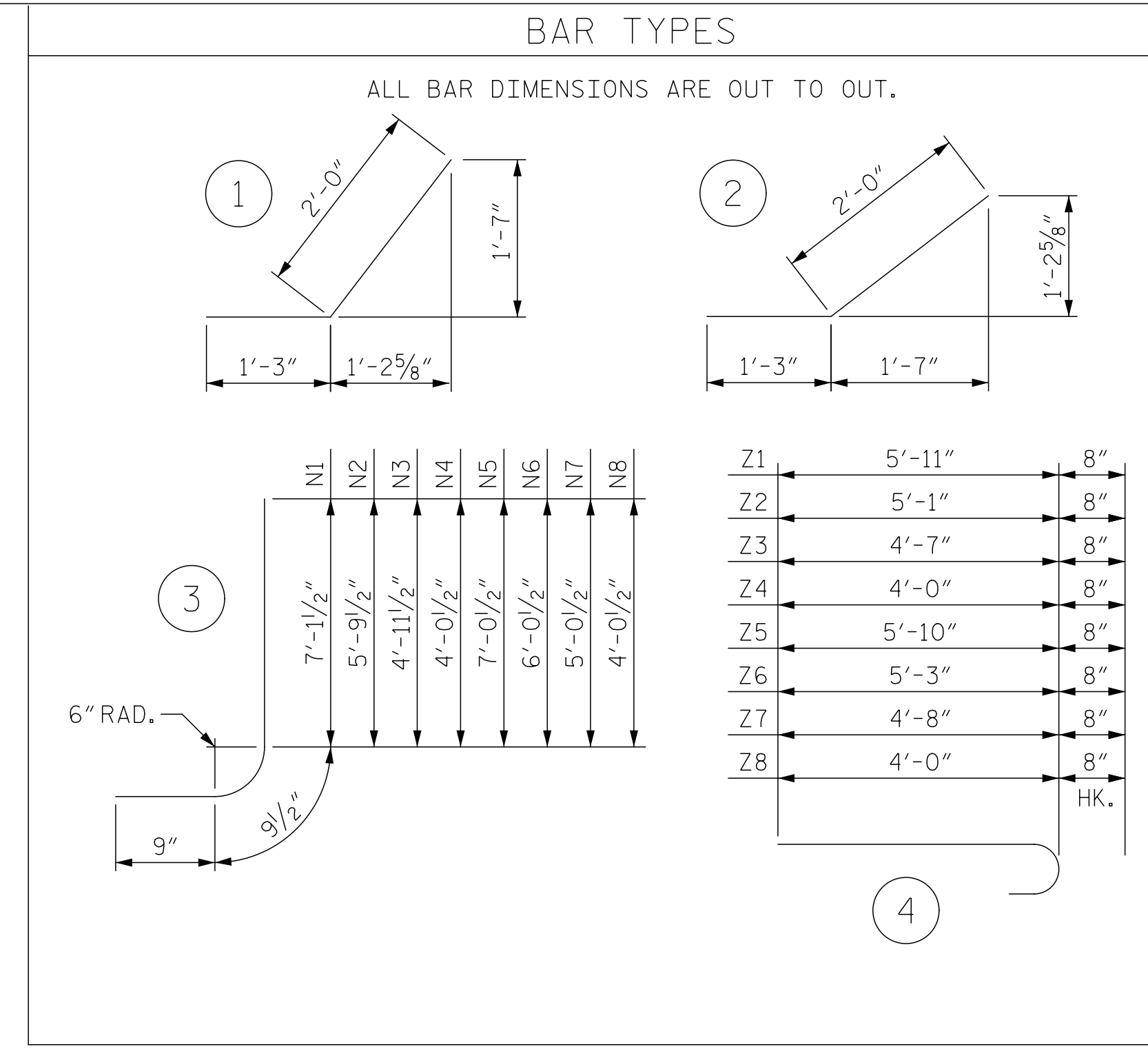
PLAN W1



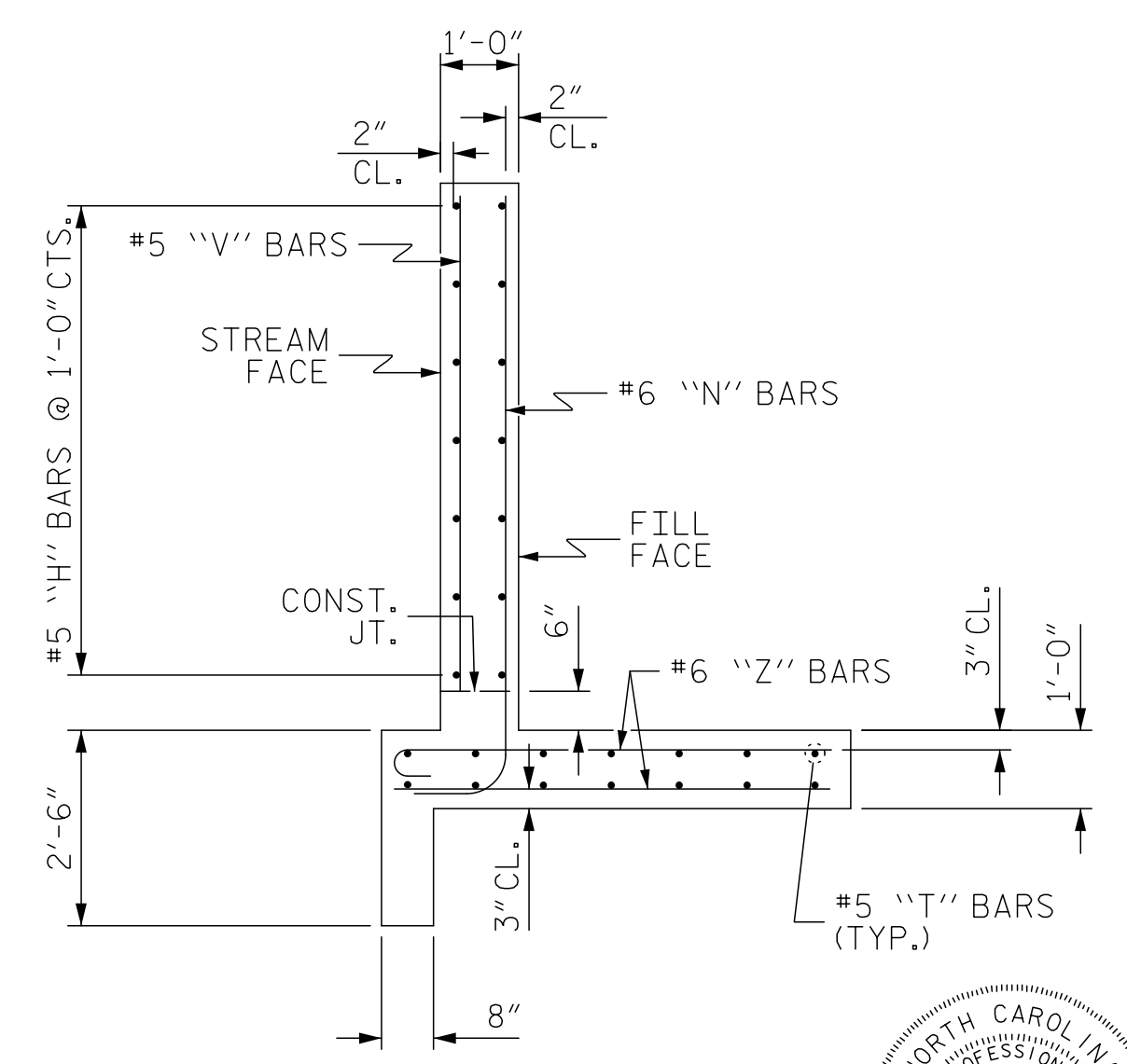
ELEVATION W2



ELEVATION W1



REINFORCING STEEL FOR 4 WINGS	2,435 LBS
CLASS AA CONCRETE	
4 WINGS	16.5 CY
2 HEADWALLS	0.9 CY
2 END CURTAIN WALLS	2.0 CY
TOTAL	19.4 CY



TYPICAL WING SECTION



BILL OF MATERIAL					
BAR	NO.	SIZE	TYPE	LENGTH	WEIGHT
H1	16	#5	STR	6'-7"	110
H2	4	#5	STR	4'-7"	19
H3	4	#5	STR	2'-4"	10
H4	28	#5	STR	3'-3"	95
H5	4	#5	STR	7'-1"	30
H6	16	#5	STR	9'-4"	156
H7	4	#5	STR	6'-8"	28
H8	4	#5	STR	3'-7"	15
H9	28	#5	STR	3'-3"	95
H10	4	#5	STR	9'-9"	41
N1	2	#6	3	8'-8"	26
N2	6	#6	3	7'-4"	66
N3	4	#6	3	6'-6"	39
N4	4	#6	3	5'-7"	34
N5	4	#6	3	8'-7"	52
N6	6	#6	3	7'-7"	68
N7	6	#6	3	6'-7"	59
N8	6	#6	3	5'-7"	50
S1	12	#6	STR	6'-0"	108
T1	28	#5	STR	8'-3"	241
T2	28	#5	STR	11'-0"	321
V1	2	#5	STR	6'-5"	13
V2	6	#5	STR	5'-1"	32
V3	4	#5	STR	4'-2"	17
V4	4	#5	STR	3'-4"	14
V5	4	#5	STR	6'-3"	26
V6	6	#5	STR	5'-3"	33
V7	6	#5	STR	4'-3"	27
V8	6	#5	STR	3'-3"	20
Z1	2	#6	4	6'-7"	20
Z2	6	#6	4	5'-9"	52
Z3	4	#6	4	5'-3"	32
Z4	4	#6	4	4'-8"	28
Z5	4	#6	4	6'-6"	39
Z6	6	#6	4	5'-11"	53
Z7	6	#6	4	5'-4"	48
Z8	6	#6	4	4'-8"	42
Z9	2	#6	STR	5'-11"	18
Z10	6	#6	STR	5'-1"	46
Z11	4	#6	STR	4'-7"	28
Z12	4	#6	STR	4'-0"	24
Z13	4	#6	STR	5'-10"	35
Z14	6	#6	STR	5'-3"	47
Z15	6	#6	STR	4'-8"	42
Z16	6	#6	STR	4'-0"	36

PROJECT NO. P-5705A  
 MECKLENBURG COUNTY  
 STATION: 21+72.19 -L-

SHEET 5 OF 5  
 STATE OF NORTH CAROLINA  
 DEPARTMENT OF TRANSPORTATION  
 RALEIGH  
 WING DETAILS  
 SINGLE 7 FT. x 6 FT.  
 CONCRETE BOX CULVERT  
 AT STA. 21+72.19 -L-

DOCUMENT NOT CONSIDERED FINAL  
 UNLESS ALL SIGNATURES COMPLETED

HNTB		HNTB NORTH CAROLINA, P.C. NC License No. C-1554 343 E. Six Forks Rd., Suite 200, Raleigh, N.C. 27609			
DRAWN BY: M. WRIGHT	DATE: 11/18	DWG. NO. 5	NO.	BY	DATE
CHECKED BY: N. HART	DATE: 12/18				
DESIGN ENGINEER OF RECORD: D. HAWKINS	DATE: 12/18				

REVISIONS						SHEET NO.
NO.	BY	DATE	NO.	BY	DATE	C1-5
1			3			TOTAL SHEETS
2			4			6