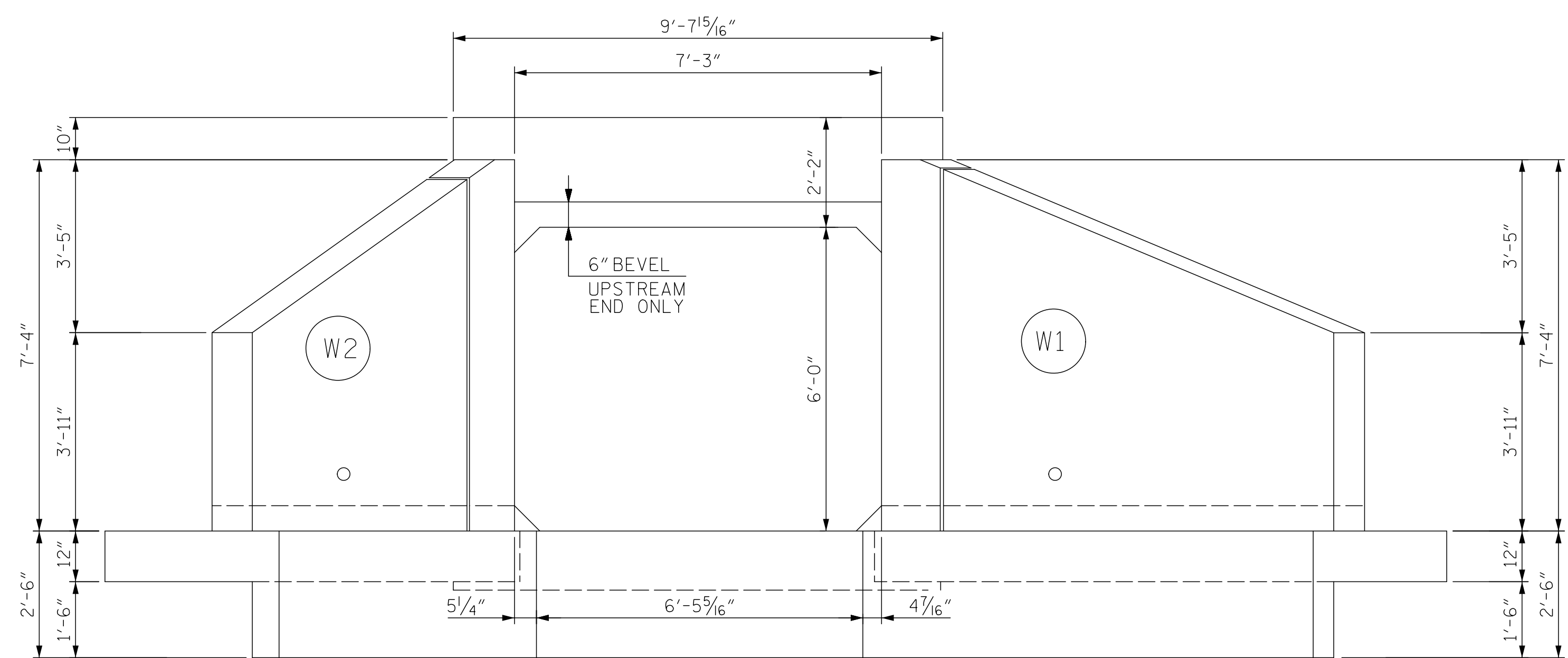
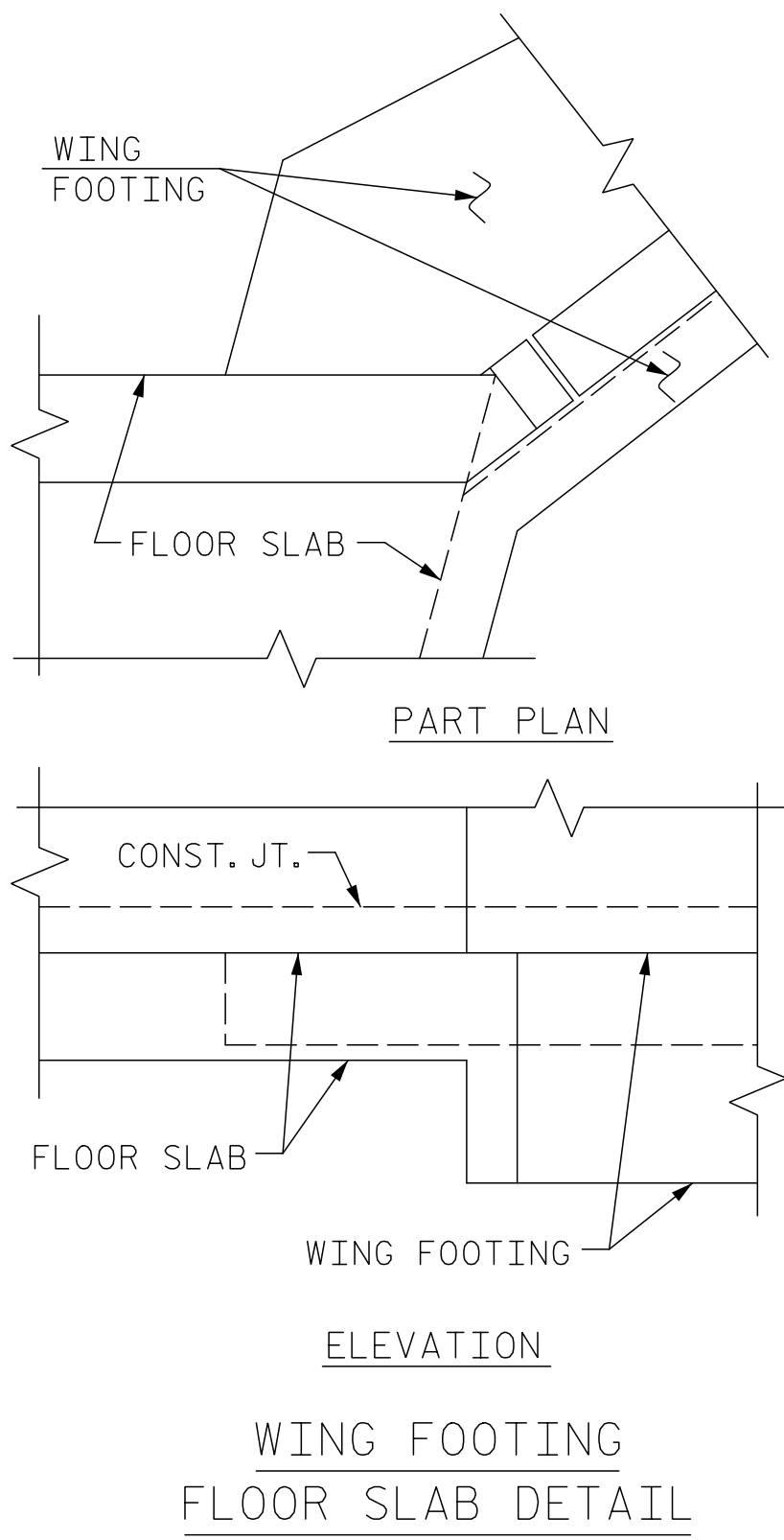


CULVERT SECTION NORMAL TO RAILWAY



END ELEVATION NORMAL TO SKEW

PROJECT NO. P-5705A
MECKLENBURG COUNTY
 STATION: 21+72.19 -L-

SHEET 3 OF 5
 STATE OF NORTH CAROLINA
 DEPARTMENT OF TRANSPORTATION
 RALEIGH
 SECTION AND ELEVATION
 SINGLE 7 FT. x 6 FT.
 CONCRETE BOX CULVERT
 AT STA. 21+72.19 -L-

HNTB HNTB NORTH CAROLINA, P.C.
 NC License No. C-1554
 343 E. Six Forks Rd., Suite 200, Raleigh, N.C. 27609

DRAWN BY: M. WRIGHT DATE: 11/18
 CHECKED BY: N. HART DATE: 12/18
 DESIGN ENGINEER OF RECORD: D. HAWKINS DATE: 12/18

DWG. NO. 3



**DOCUMENT NOT CONSIDERED FINAL
 UNLESS ALL SIGNATURES COMPLETED**

REVISIONS						SHEET NO.
NO.	BY	DATE	NO.	BY	DATE	C1-3
1			3			TOTAL SHEETS
2			4			6