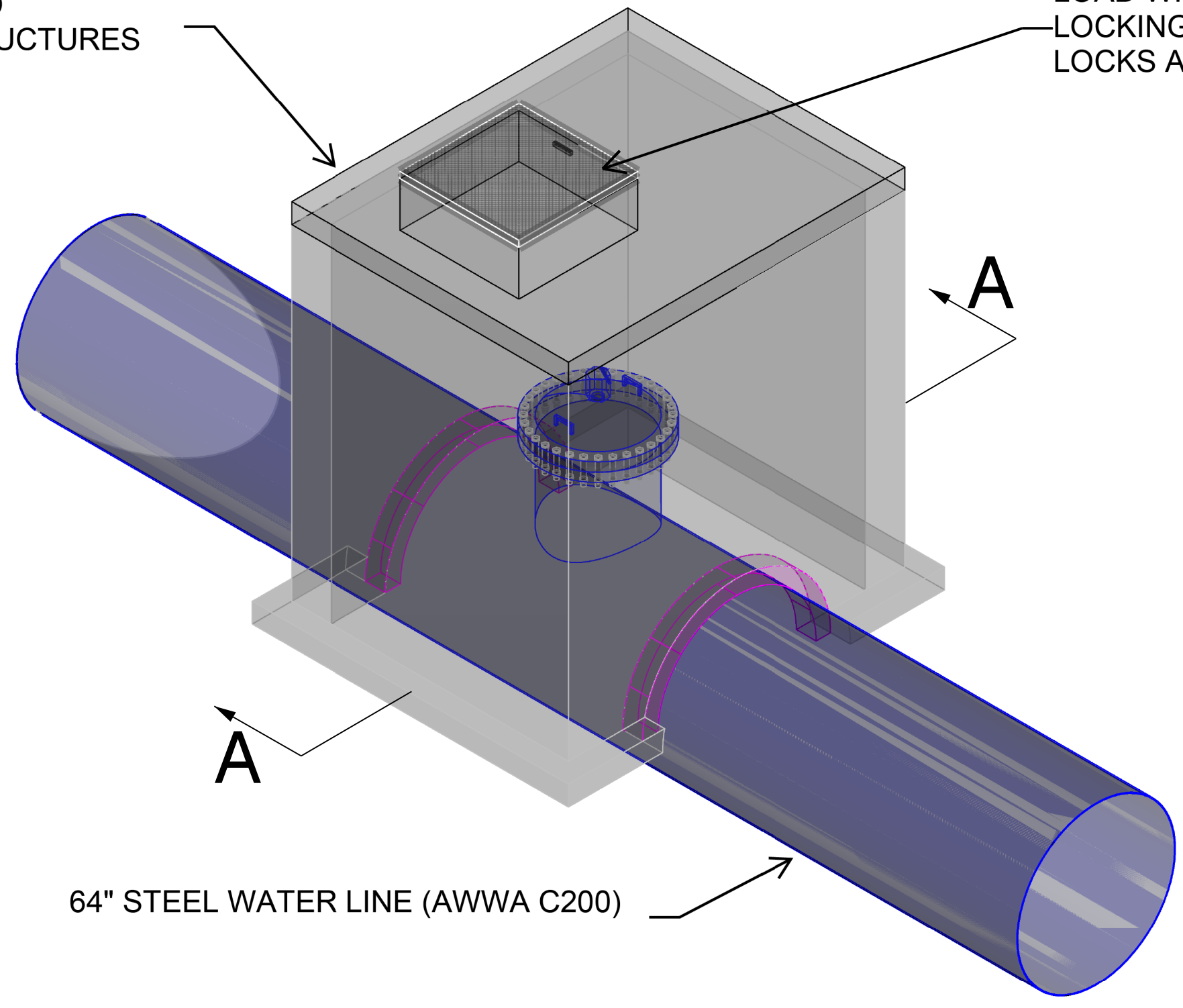


MANWAY AND VAULT DETAIL

8'-0" X 10'-0" X 8" PRECAST CONCRETE VAULT REINFORCED FOR AASHTO HS-20 WHEEL LOAD - THE PRECAST VAULT SHALL BE SUBMITTED IN ACCORDANCE WITH NCDOT STANDARD SPECIFICATIONS FOR ROADS AND STRUCTURES SECTION 1077

BILCO TYPE J-4AL CHANNEL FRAME 36" X 36" ALUMINUM DOUBLE LEAF ACCESS DOOR REINFORCED FOR AASHTO HS-20 WHEEL LOAD WITH RECESSED DOOR HANDLE AND LOCKING DEVICE-OPENS TO 90 DEGREES AND LOCKS AUTOMATICALLY WITH LIFT ASSISTANCE



64" STEEL WATER LINE (AWWA C200)

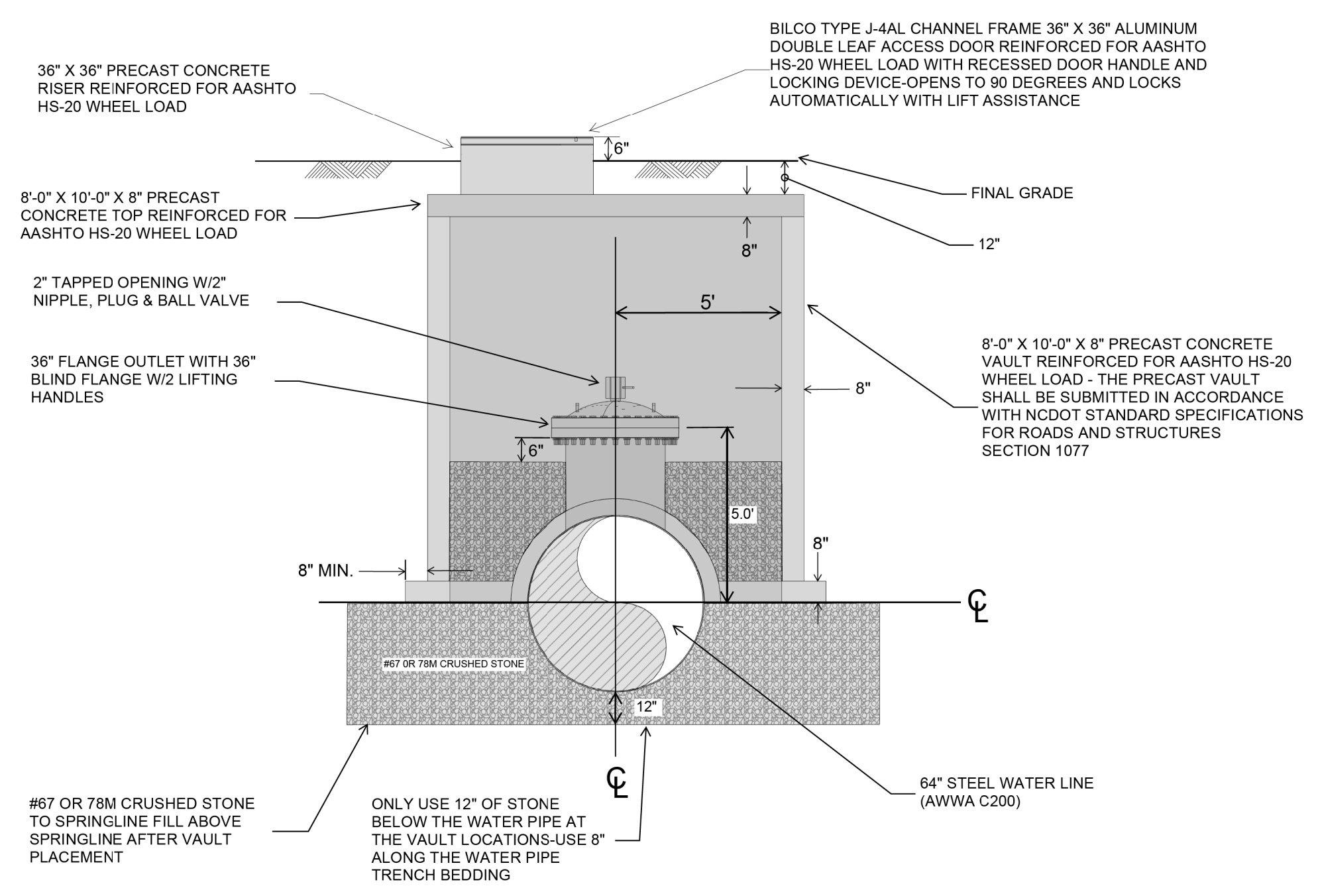
HINDE ENGINEERING
 License No. C-2639
 401 Harrison Oaks Blvd., Suite 220 Cary, NC 27513

DOCUMENT NOT CONSIDERED FINAL UNLESS ALL SIGNATURES COMPLETED

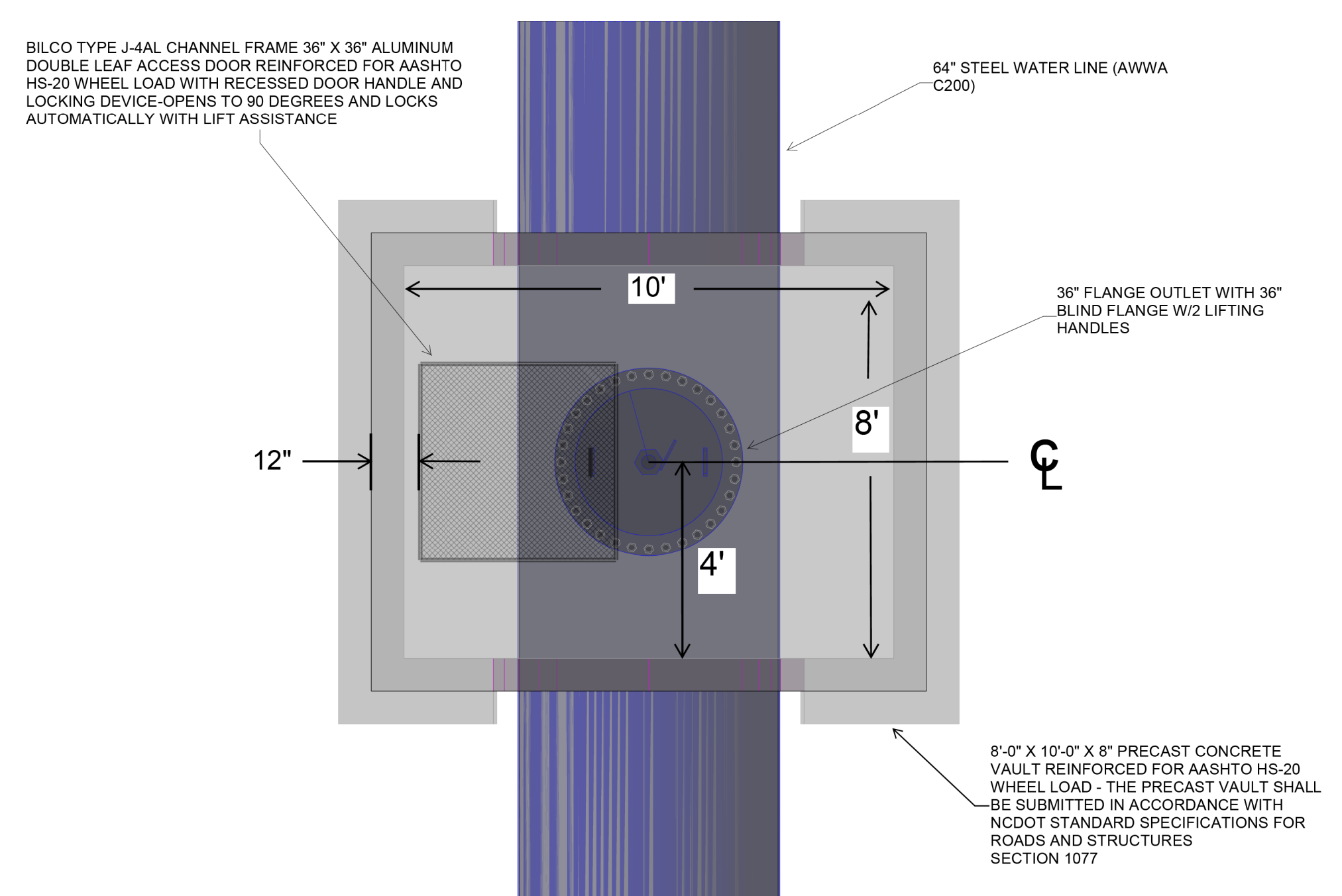
PROJECT REFERENCE NO. P-5705A	SHEET NO. UC-3D
DESIGNED BY: CDB	
DRAWN BY: JKC	
CHECKED BY: CDB	
APPROVED BY: CLS	
REVISED:	
NORTH CAROLINA DEPARTMENT OF TRANSPORTATION	
UTILITIES ENGINEERING SEC. PHONE: (919) 707-6690 FAX: (919) 250-4151	UTILITY CONSTRUCTION PLANS ONLY

UTILITY CONSTRUCTION

SENSITIVE MATERIALS DO NOT DUPLICATE



SECTION A-A VIEW



TOP VIEW

I:\07-2022-1523\PROJECTS\2018\A2018810100_HNTB_P-5705A\Design\Utilities\Engineering\UC\Proj\P-5705A-ut.dtl_UC03D_psh.dgn