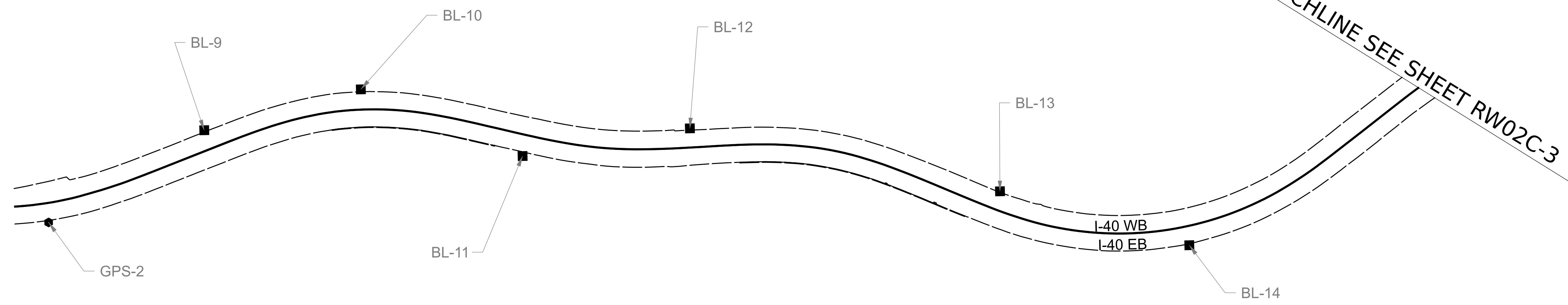


# SURVEY CONTROL SHEET

## W/EXISTING CENTERLINE ALIGNMENTS PRIOR TO CONSTRUCTION



GPS-1



I, Michael C. Kitchin, PLS, certify that the Project Control was performed under my supervision from an actual GPS survey made under my supervision and the following information was used to perform the survey:

Class of survey: **A4**  
Type of GPS field procedure: RTN  
Dates of survey: 6/21/22 to 7/13/22  
Datum/Epoch: NAD 83/NSRS 2011  
Published/Fixed-control use: N/A  
Localized around: GPS-5  
Northing: 697,225,2690  
Easting: 1,041,361,8740  
Combined grid factor: 1.000200369 (Grid to Ground)  
Geoid model: GEOID12B  
Units: US Survey Feet

I also certify that the Baseline Control for this project was completed under my direct and responsible charge from an actual survey made under my supervision; that all horizontal closures had a minimum ratio of precision of 1:20,000 (Class AA) and Vertical accuracy to Class A. Field work was performed from 6/21/22 to 7/13/22, and all coordinates are based on NAD 83/2011 and all elevations are based on NAVD 88; that this survey was performed to meet the requirements of 21NCAC 56.1600 as applicable.

This 14th day of April, 2023.

DocuSigned by:  
*Michael C. Kitchin*  
Professional Land Surveyor L-5426



**HI0010**  
RW02 C-2  
NORTH CAROLINA  
DEPARTMENT  
OF TRANSPORTATION

PROFESSIONAL LAND  
SURVEYOR

DOCUMENT NOT CONSIDERED  
FINAL UNLESS ALL SIGNATURES  
ARE COMPLETED  
2018 STANDARD  
SPECIFICATIONS

**TIP PROJECT: HI0010**  
**County: McDowell**

PREPARED FOR

LOCATION AND  
SURVEYS UNIT

PREPARED BY

**ESP** Associates, Inc.  
2475 Lakewood Blvd. Fort Mill, SC 29708

### NOTES:

1. PROJECT CONTROL WAS ESTABLISHED USING GNSS, THE GLOBAL NAVIGATION SATELLITE SYSTEM.
2. THE PROPOSED ALIGNMENT CONTROL DATA FOR THIS PROJECT HAS BEEN COMPILED FROM VARIOUS SOURCES. IF FURTHER INFORMATION REGARDING PROJECT CONTROL IS NEEDED, PLEASE CONTACT THE LOCATION AND SURVEYS UNIT.