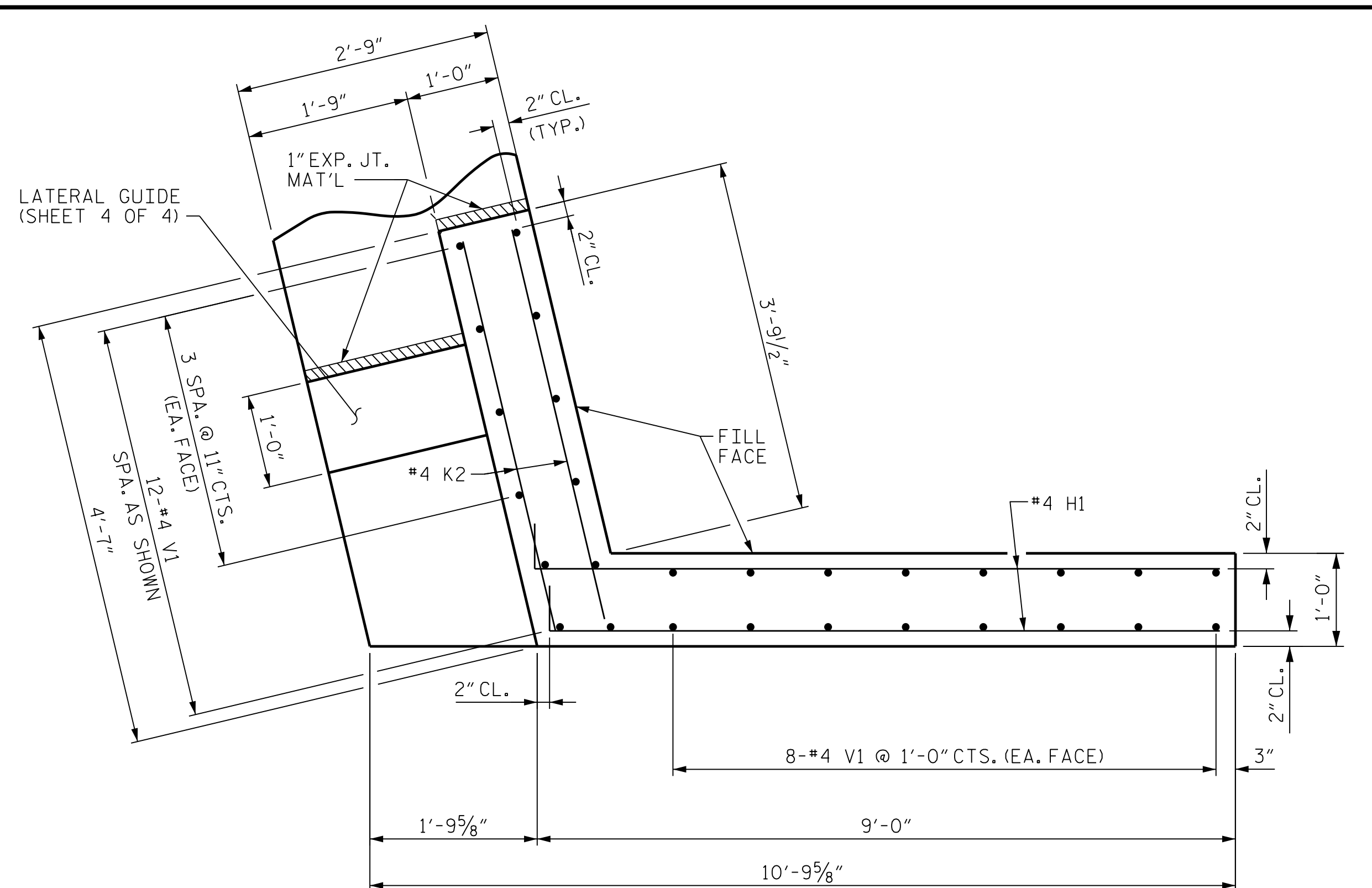
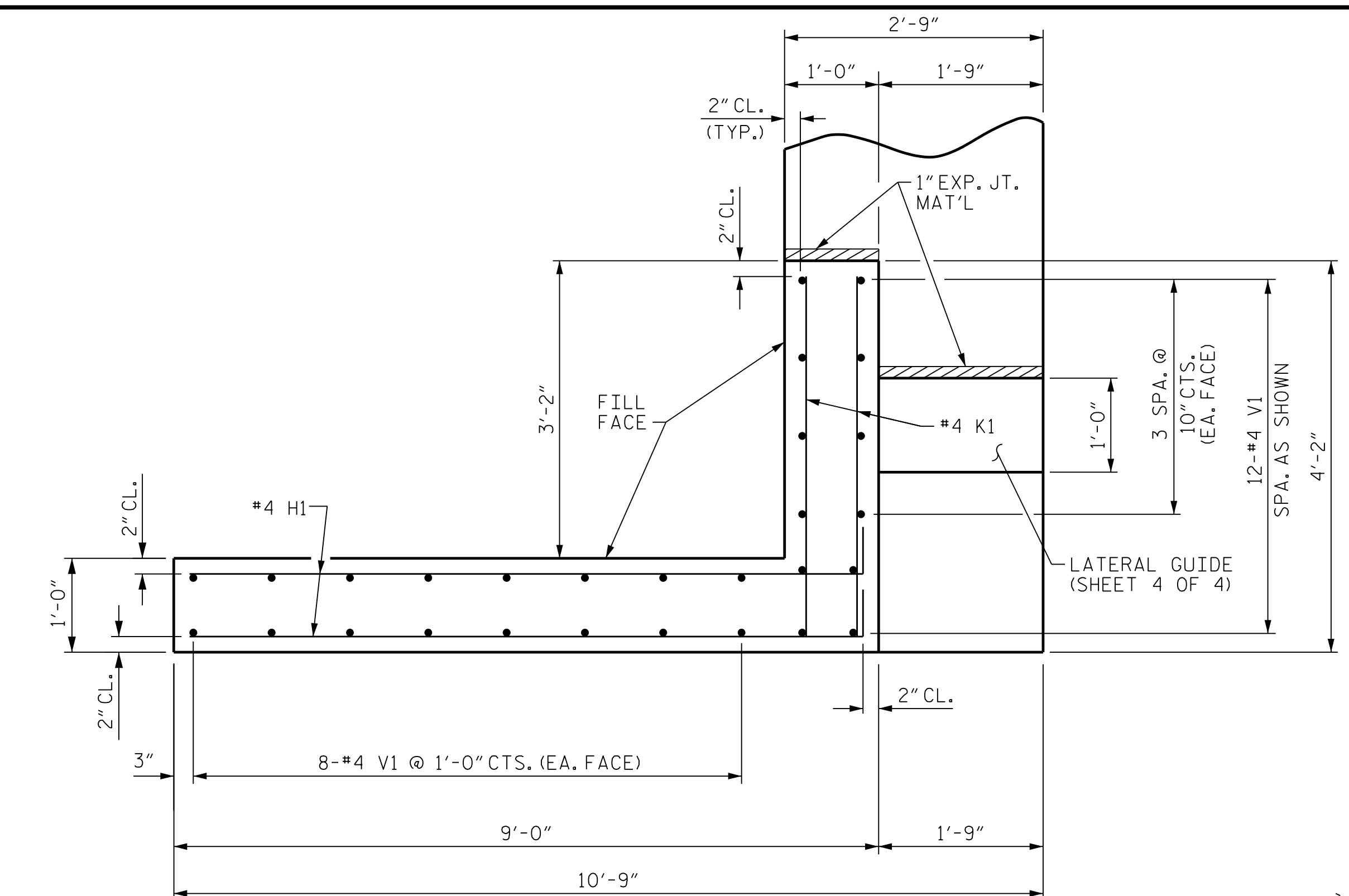


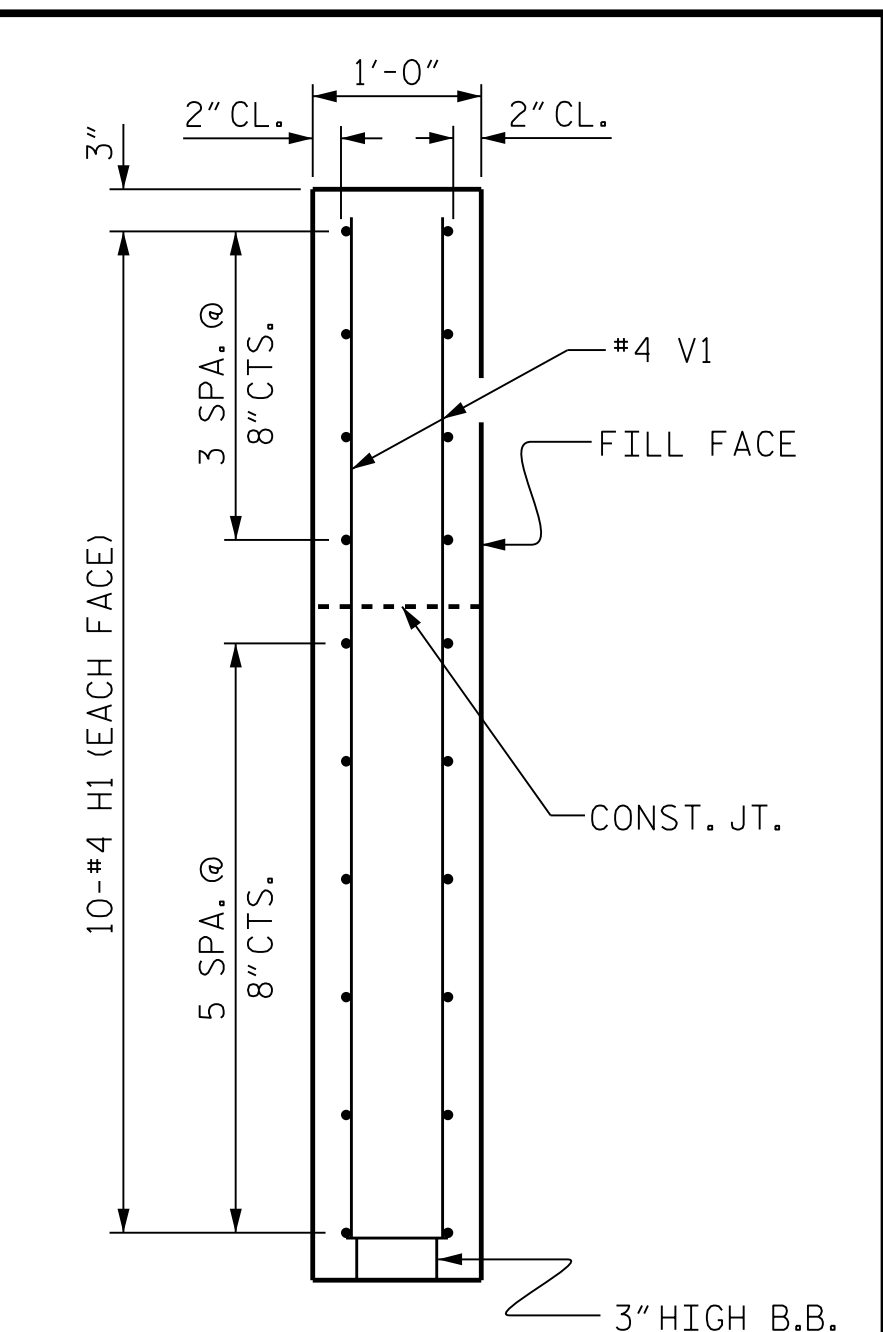
PLOT DRIVER: NCDOT STRUCTURES DEFAULT PLOTTER.plt PENTABLE: NCDOT STRUCTURES DEFAULT PEN.tbl
 USER: DCARTER DATE: 3/31/2021 TIME: 2:57:12 PM
 FILE: ... \SUBSTRUCTURE END BENT WING DETAILS



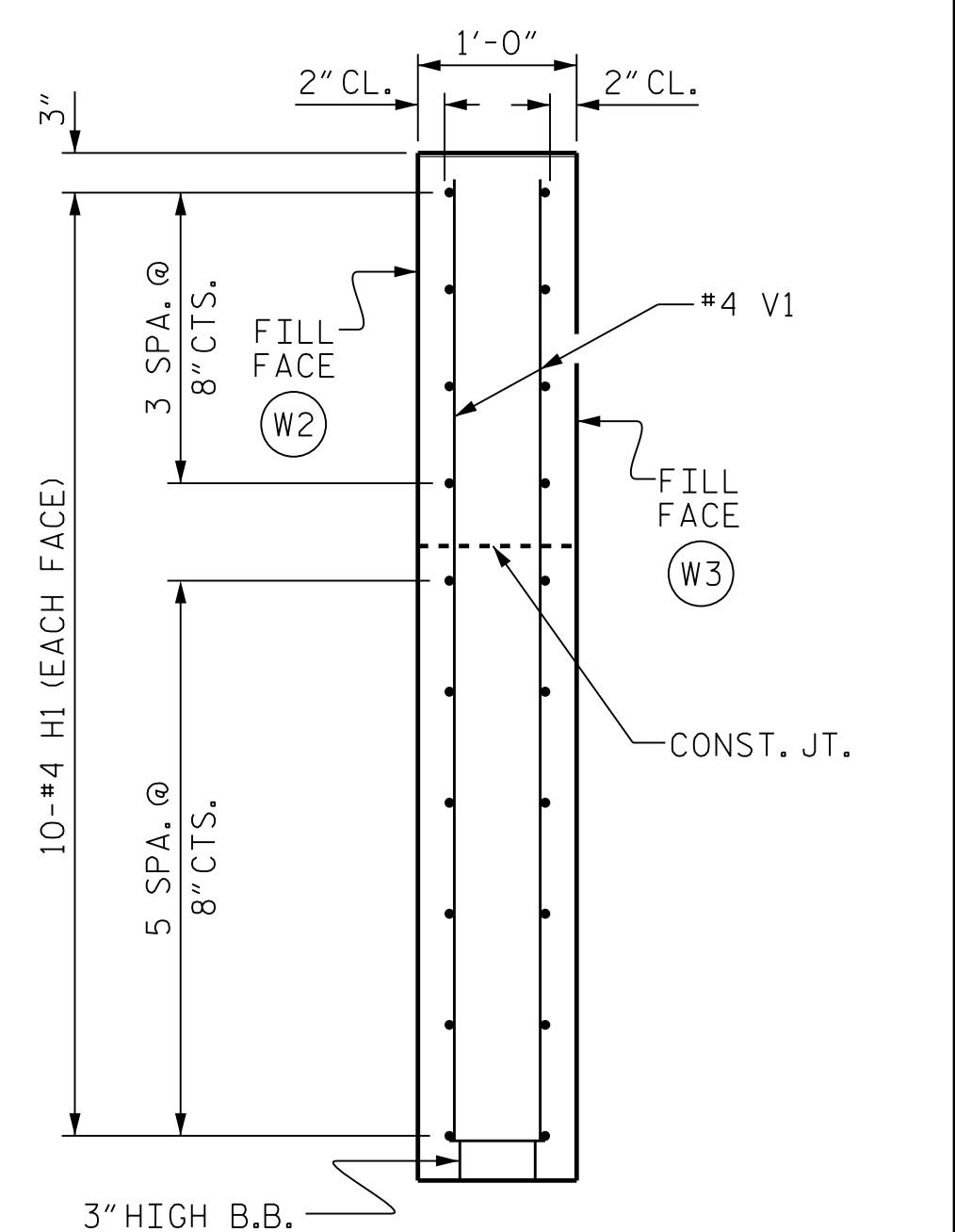
PLAN OF WING (W1)



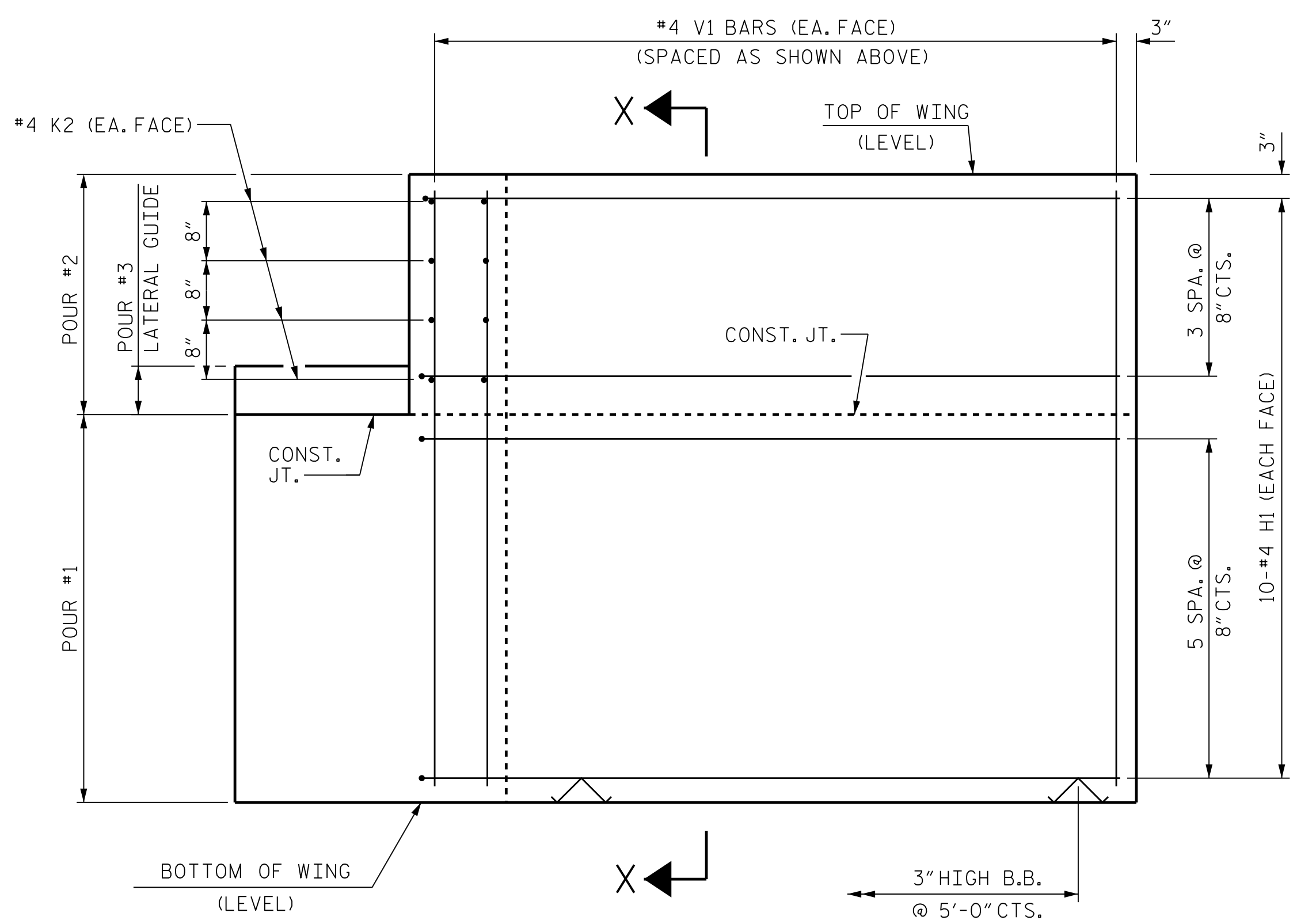
PLAN OF WING (W2)
(WING W2 SHOWN, WING W3 SIMILAR BUT MIRRORED)



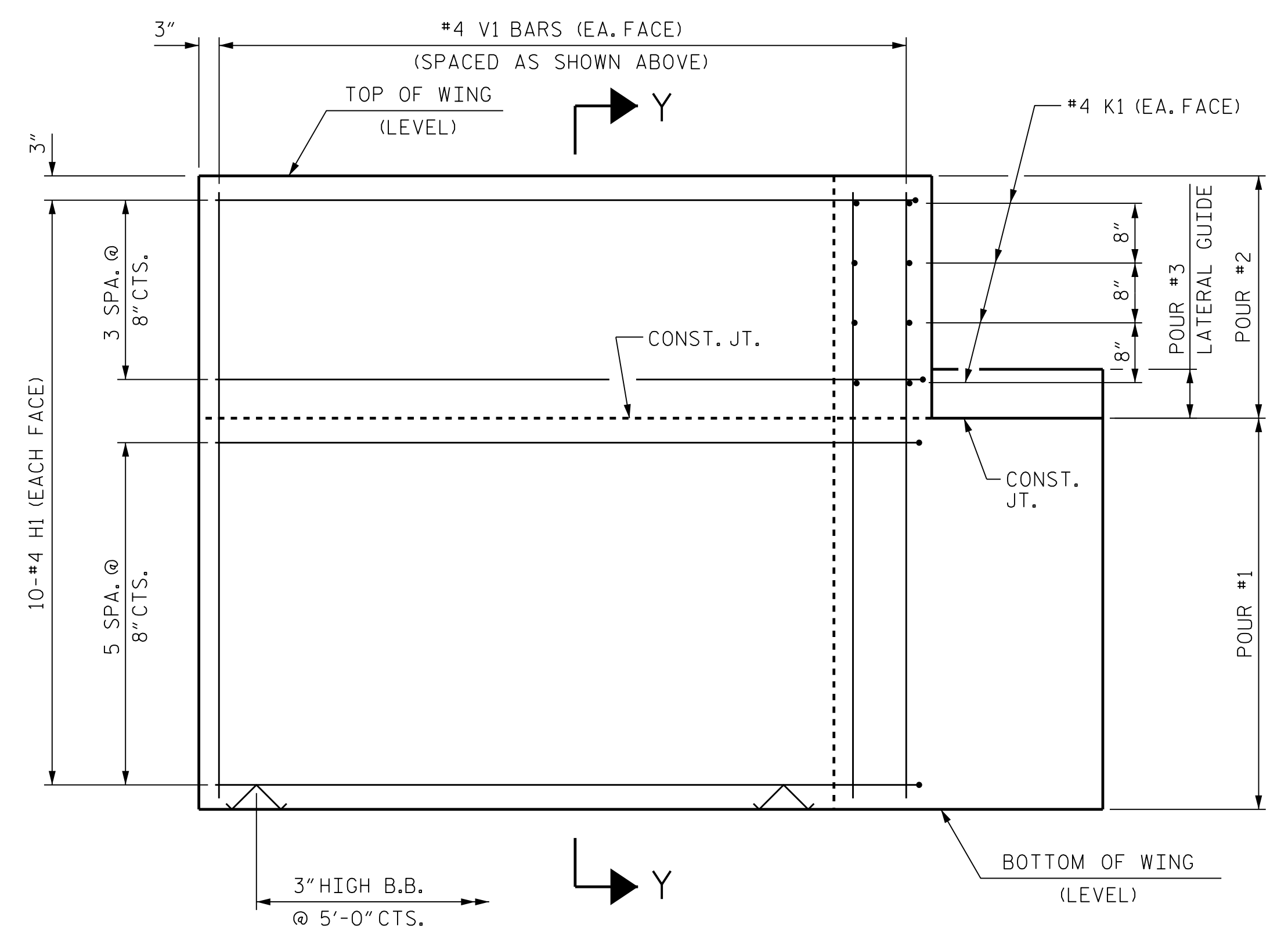
SECTION X-X



SECTION Y-Y



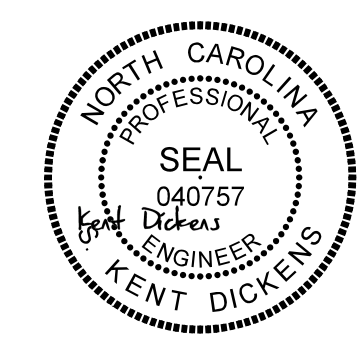
ELEVATION OF WING (W1)



ELEVATION OF WING (W2) & (W3)

WING DETAILS

DES BY: S. DHONDE	DATE: 12/19	DWG BY: B. PETERSON	DATE: 08/19
DES CHK: J. ROBERTS	DATE: 12/19	CHK BY: K. DICKENS	DATE: 02/20



1/25/2022

DOCUMENT NOT CONSIDERED FINAL UNLESS ALL SIGNATURES COMPLETED

PROJECT NO. 17BP.14.R.212
 JACKSON COUNTY
 STATION: 19+91.00 -L-
 SHEET 3 OF 4

REVISIONS					
NO.	BY:	DATE:	NO.	BY:	DATE:
1	--	--	3	--	--
2	--	--	4	--	--

SHEET NO. S-17
TOTAL SHEETS 20

STATE OF NORTH CAROLINA
 DEPARTMENT OF TRANSPORTATION
 RALEIGH

 SUBSTRUCTURE
 END BENT 1 AND 2
 WING DETAILS