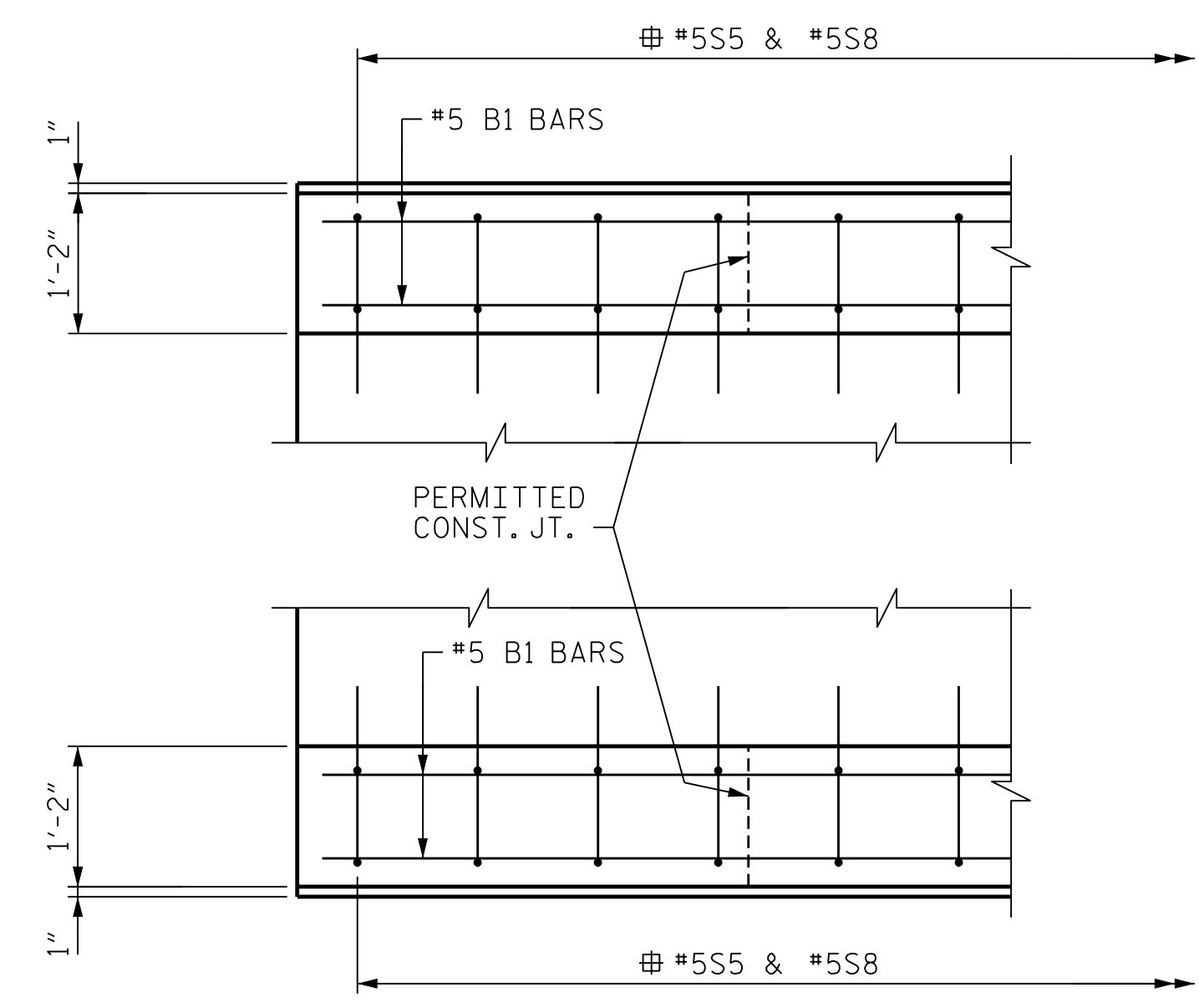
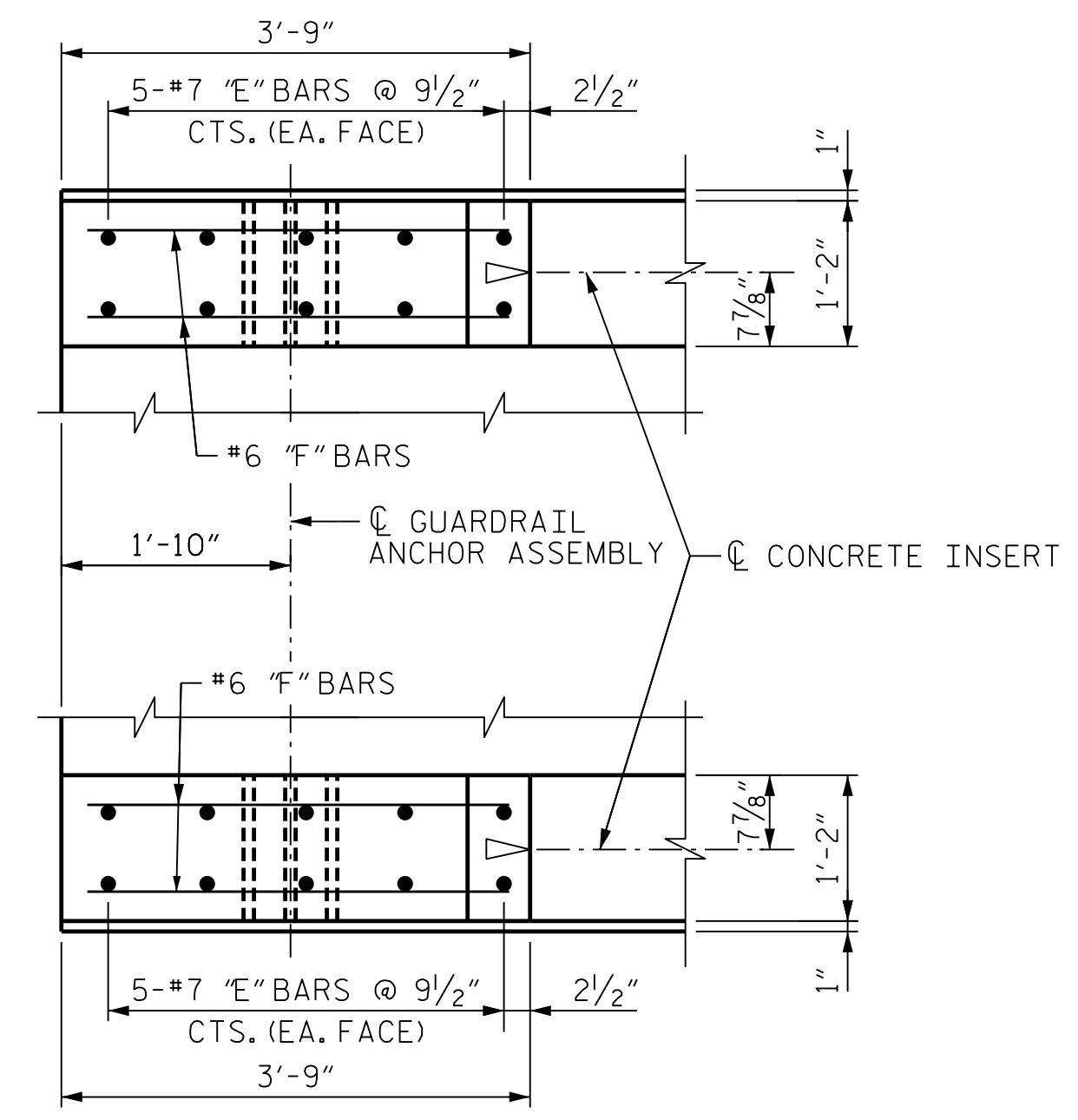


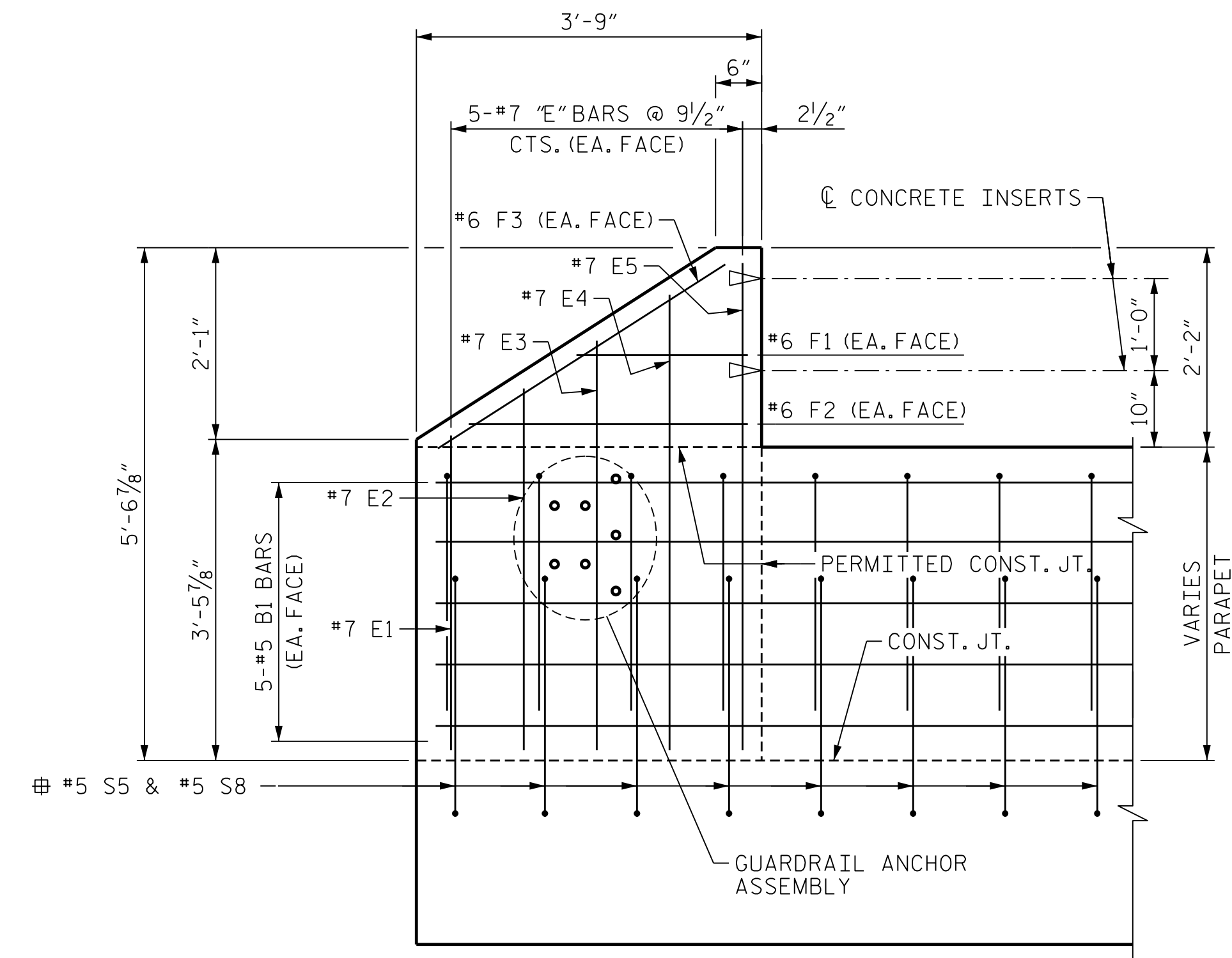
PLOT DRIVER: NCDOT STRUCTURES DEFAULT PLOTTER.plt PENTABLE: NCDOT STRUCTURES DEFAULT PEN.tbl
 USER: DCARTER DATE: 3/31/2021 TIME: 2:42:05 PM
 FILE: ... \SUPERSTRUCTURE - CONCRETE PARAPET DETAILS



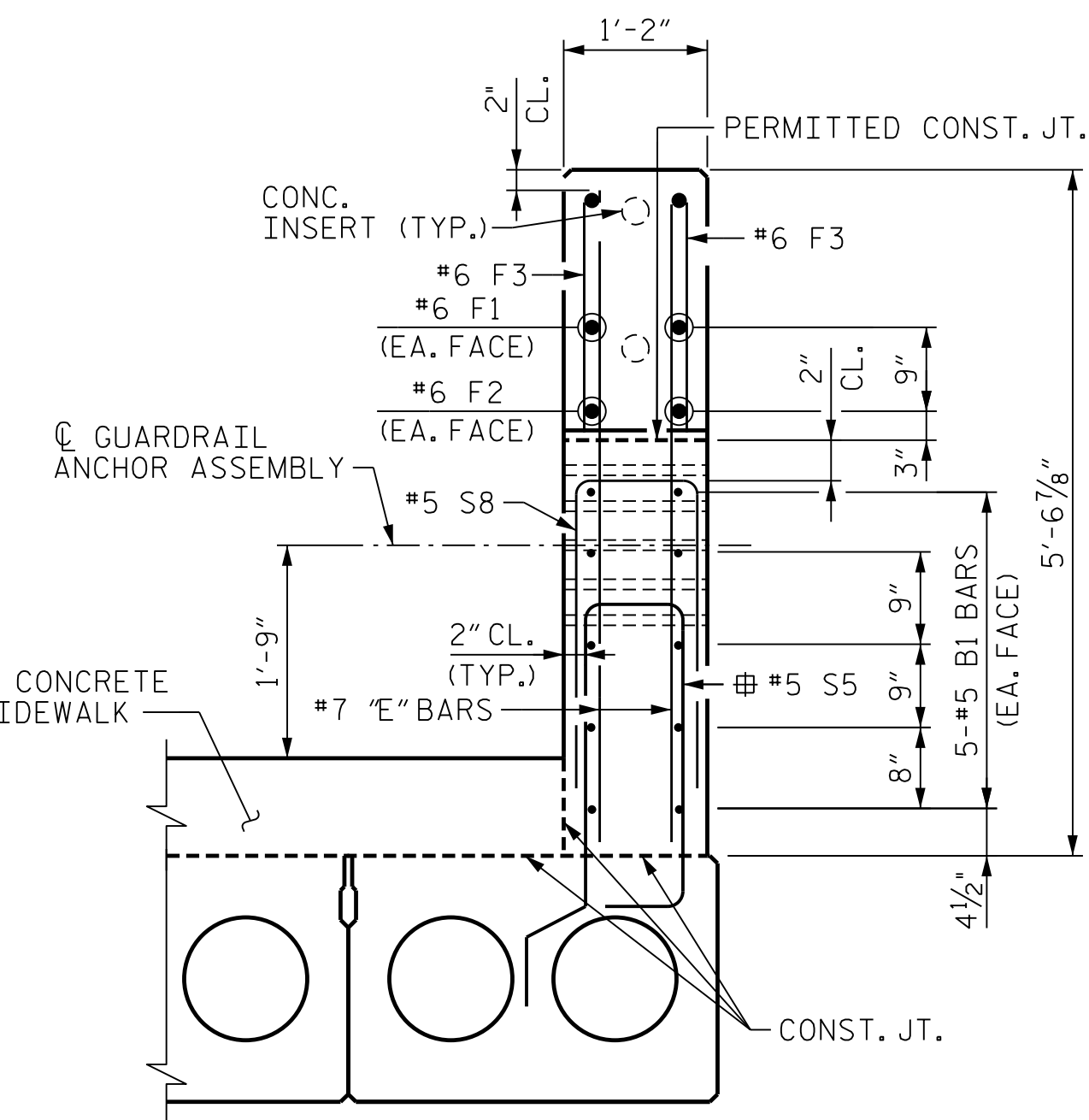
PLAN OF PARAPET
(END BENT 1 SHOWN, END BENT 2 SIMILAR)



PLAN OF END POST
(END BENT 1 SHOWN, END BENT 2 SIMILAR)



ELEVATION
(END BENT 1 SHOWN, END BENT 2 SIMILAR)



END VIEW
(SHOWN AT RIGHT SIDE - SIMILAR AT LEFT SIDE)

= FOR #5 S5 BARS IN CORED SLAB UNITS, SEE "PRESTRESSED CONCRETE CORED SLAB UNIT" SHEETS.
 † = FOR DETAILS AND REINFORCING STEEL IN SIDEWALK, SEE "SIDEWALK DETAILS" SHEET.

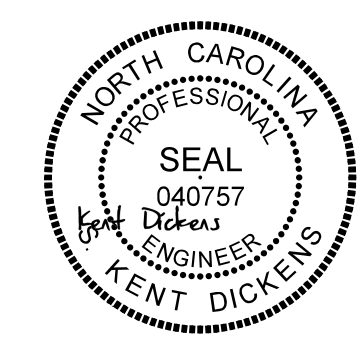
PROJECT NO. 17BP.14.R.212
JACKSON COUNTY
 STATION: 19+91.00 -L-
 SHEET 2 OF 2

STATE OF NORTH CAROLINA
DEPARTMENT OF TRANSPORTATION
RALEIGH

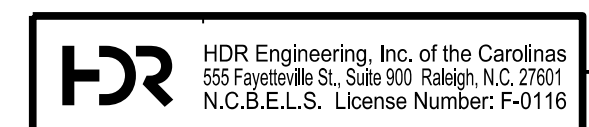
**SUPERSTRUCTURE
CONCRETE PARAPET
DETAILS**

REVISIONS					
NO.	BY:	DATE:	NO.	BY:	DATE:
1	--	--	3	--	--
2	--	--	4	--	--

SHEET NO. S-9
TOTAL SHEETS 20



1/25/2022



**DOCUMENT NOT CONSIDERED FINAL
UNLESS ALL SIGNATURES COMPLETED**

DES BY: <u>S. DHONDE</u>	DATE: <u>12/19</u>	DWG BY: <u>B. PETERSON</u>	DATE: <u>08/19</u>
DES CHK: <u>J. ROBERTS</u>	DATE: <u>12/19</u>	CHK BY: <u>K. DICKENS</u>	DATE: <u>02/20</u>