

BAR TYPES					
ALL BAR DIMENSIONS ARE OUT TO OUT					
BILL OF MATERIAL					
BAR	NUMBER	SIZE	TYPE	LENGTH	WEIGHT
* B1	60	#5	STR.	22'-11"	1435
* E1	8	#7	STR.	3'-4"	55
* E2	8	#7	STR.	3'-10"	63
* E3	8	#7	STR.	4'-4"	71
* E4	8	#7	STR.	4'-10"	80
* E5	8	#7	STR.	5'-2"	85
* F1	8	#6	STR.	1'-10"	23
* F2	8	#6	STR.	3'-0"	37
* F3	8	#6	STR.	3'-8"	45
* S8	140	#5	1	5'-8"	828
* EPOXY COATED REINF. STEEL				2722	LBS.
CLASS AA CONCRETE				21.1	CU. YDS.
1'-2" X 3'-4 1/8" CONCRETE PARAPET				140.0	LIN. FT.

NOTES

ALL REINFORCING STEEL IN CONCRETE PARAPET AND END POSTS SHALL BE EPOXY COATED.

THE #5 "S" BARS MAY BE SHIFTED SLIGHTLY IN ORDER TO MAINTAIN A 2" MINIMUM CLEARANCE TO THE 1/2" EXPANSION JOINT MATERIAL IN THE CONCRETE PARAPET.

GROOVED CONTRACTION JOINTS, 1/2" IN DEPTH, SHALL BE TOOLED IN ALL EXPOSED FACES OF THE CONCRETE PARAPET AND IN ACCORDANCE WITH ARTICLE 825-10(B) OF THE STANDARD SPECIFICATIONS. A CONTRACTION JOINT SHALL BE LOCATED AT EACH THIRD POINT BETWEEN CONCRETE PARAPET EXPANSION JOINTS. ONLY ONE CONTRACTION JOINT IS REQUIRED AT MIDPOINT OF CONCRETE PARAPET SEGMENTS LESS THAN 20 FEET IN LENGTH AND NO CONTRACTION JOINTS ARE REQUIRED FOR THOSE SEGMENTS LESS THAN 10 FEET IN LENGTH.

FOR DETAILS OF CONCRETE INSERTS, SEE "RAIL POST SPACINGS AND END OF RAIL DETAILS" SHEET.

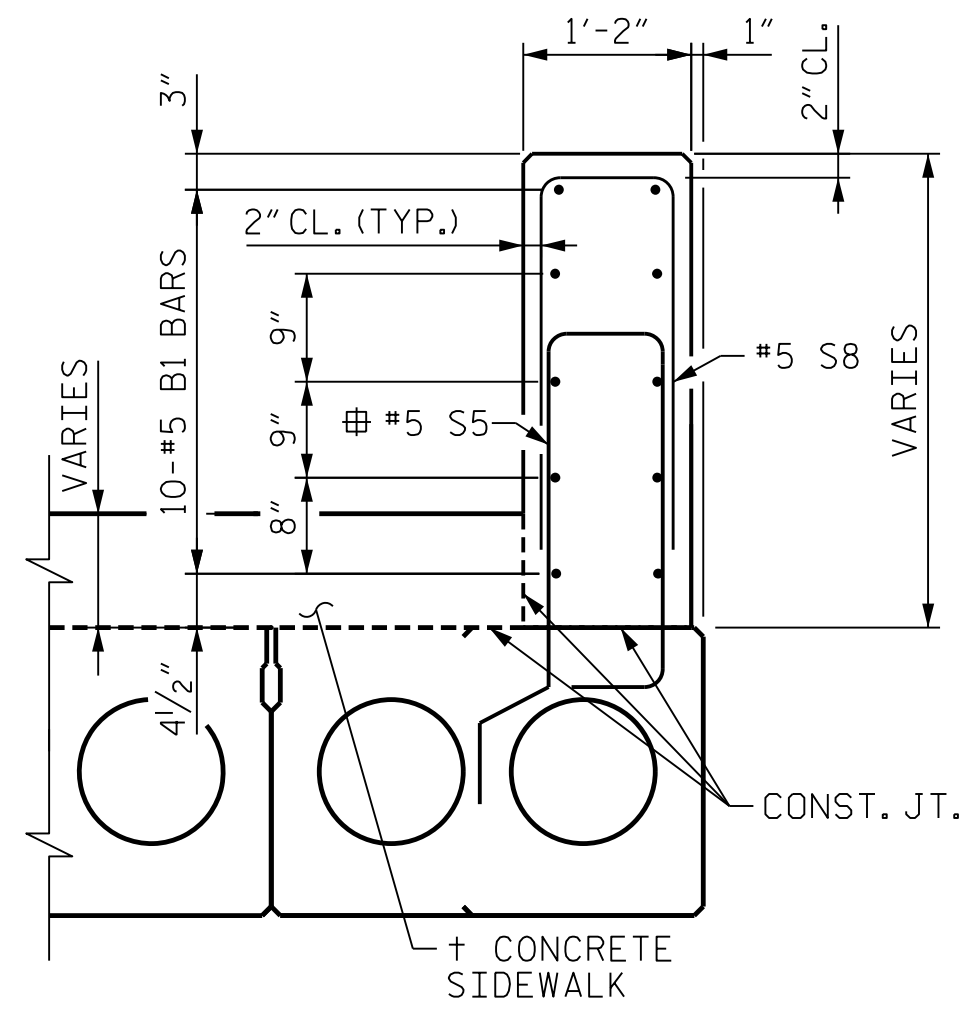
FOR GUARDRAIL ANCHOR ASSEMBLY, SEE "GUARDRAIL ANCHORAGE DETAILS" SHEET.

† = FOR DETAILS AND REINFORCING STEEL IN SIDEWALK, SEE "SIDEWALK DETAILS" SHEET. * = BASED ON THEORETICAL ANTICIPATED CAMBER. ADJUST AS NECESSARY BASED ON ACTUAL MEASURED CAMBER.

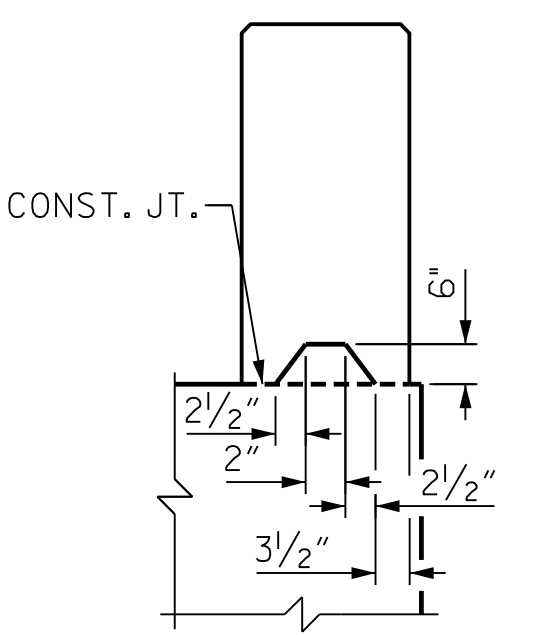
= FOR #5 S5 BARS IN CORED SLAB UNITS, SEE "PRESTRESSED CONCRETE CORED SLAB UNIT" SHEETS.

PLAN OF PARAPET

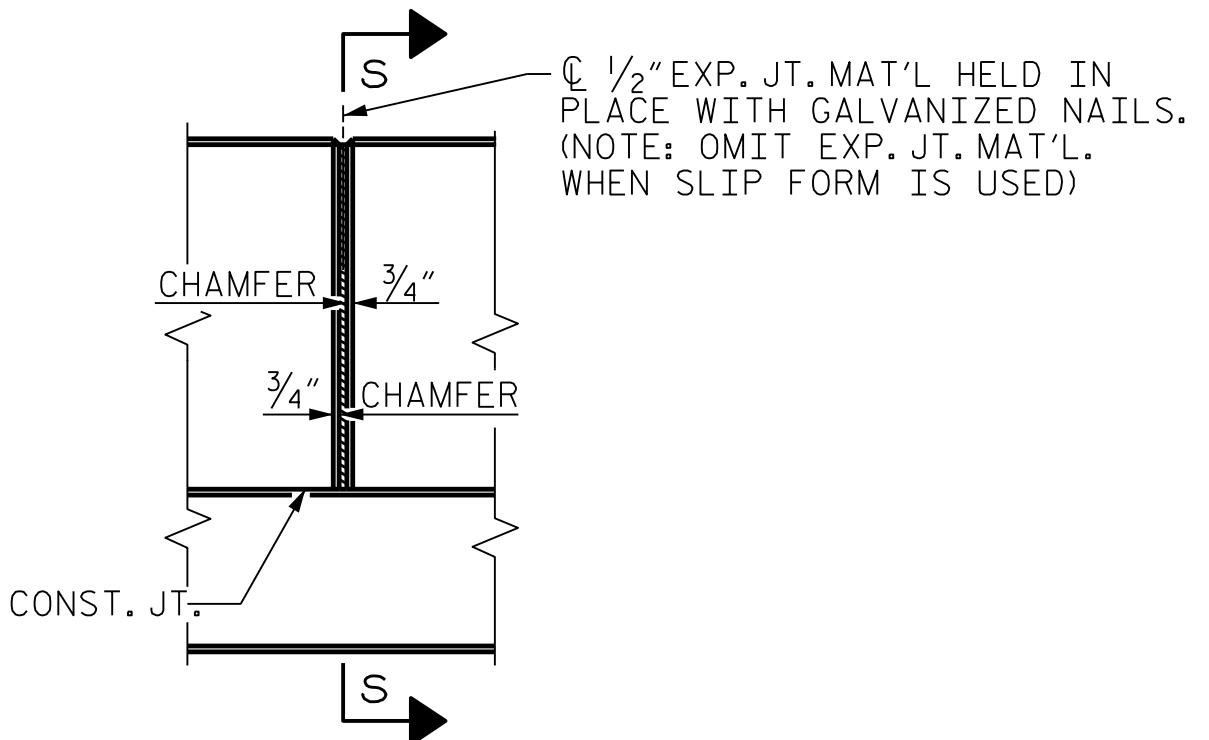
3'-0" x 2'-0" CORED SLAB UNIT	ASPHALT THICKNESS		CONCRETE PARAPET HEIGHT	
	@ CL BEARING	@ MID-SPAN	@ CL BEARING	@ MID-SPAN
70' UNITS	3 1/2"	2" *	3'-4 1/8"	3'-3 3/8" *



SECTION THRU PARAPET



SECTION S-S AT DAM IN OPEN JOINT (THIS IS TO BE USED ONLY WHEN SLIP FORM IS USED)



ELEVATION AT EXPANSION JOINTS

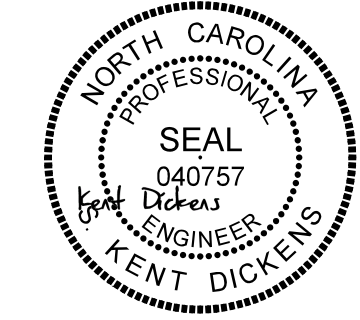
PARAPET RAIL DETAILS

PROJECT NO. 17BP.14.R.212
JACKSON COUNTY
 STATION: 19+91.00 -L-

SHEET 1 OF 2

STATE OF NORTH CAROLINA
 DEPARTMENT OF TRANSPORTATION
 RALEIGH

**SUPERSTRUCTURE
 CONCRETE PARAPET
 DETAILS**



REVISIONS					
NO.	BY:	DATE:	NO.	BY:	DATE:
1	--	--	3	--	--
2	--	--	4	--	--

SHEET NO. S-8
TOTAL SHEETS 20

PLOT DRIVER: NCDOT STRUCTURES DEFAULT PLOTTER.plt PENTABLE: NCDOT STRUCTURES DEFAULT PEN.tbl
 USER: DCARTER DATE: 3/31/2021 TIME: 2:14:52 PM
 FILE: ... \SUPERSTRUCTURE - CONCRETE PARAPET DETAILS

DES BY: S. DHONDE	DATE: 12/19	DWG BY: B. PETERSON	DATE: 08/19
DES CHK: J. ROBERTS	DATE: 12/19	CHK BY: K. DICKENS	DATE: 02/20



1/25/2022
DOCUMENT NOT CONSIDERED FINAL UNLESS ALL SIGNATURES COMPLETED