

5/14/99

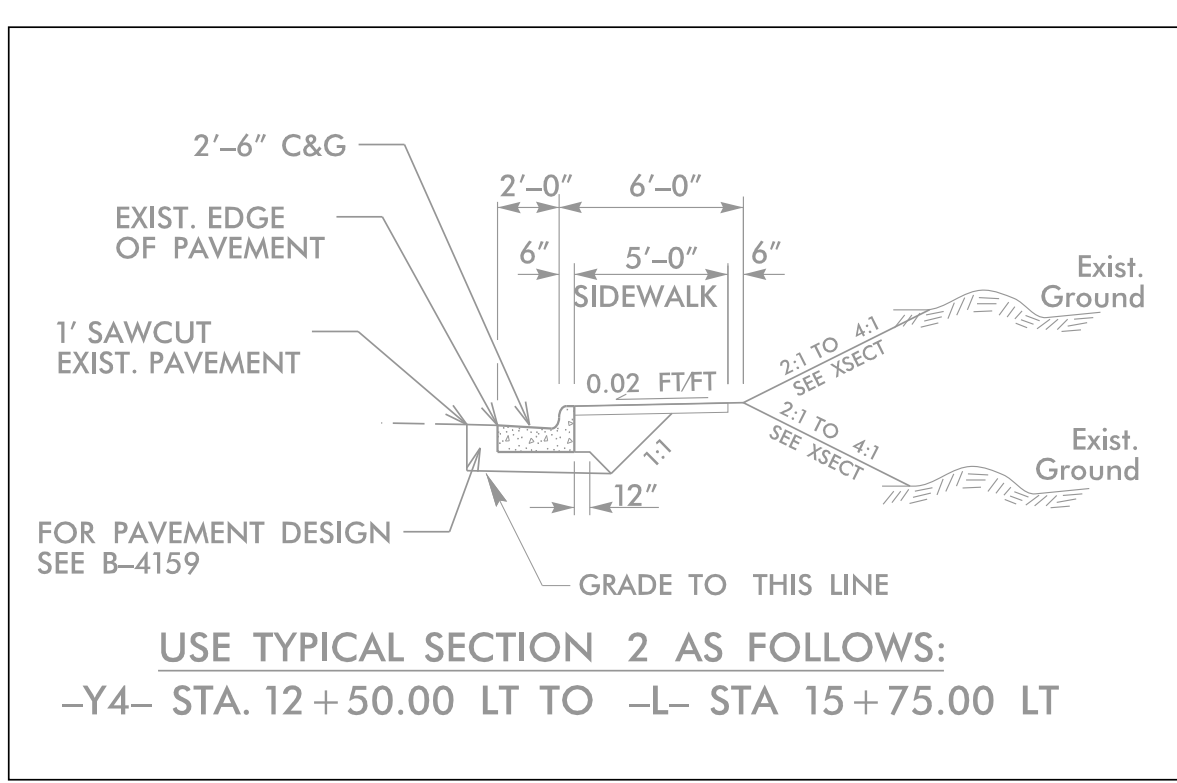
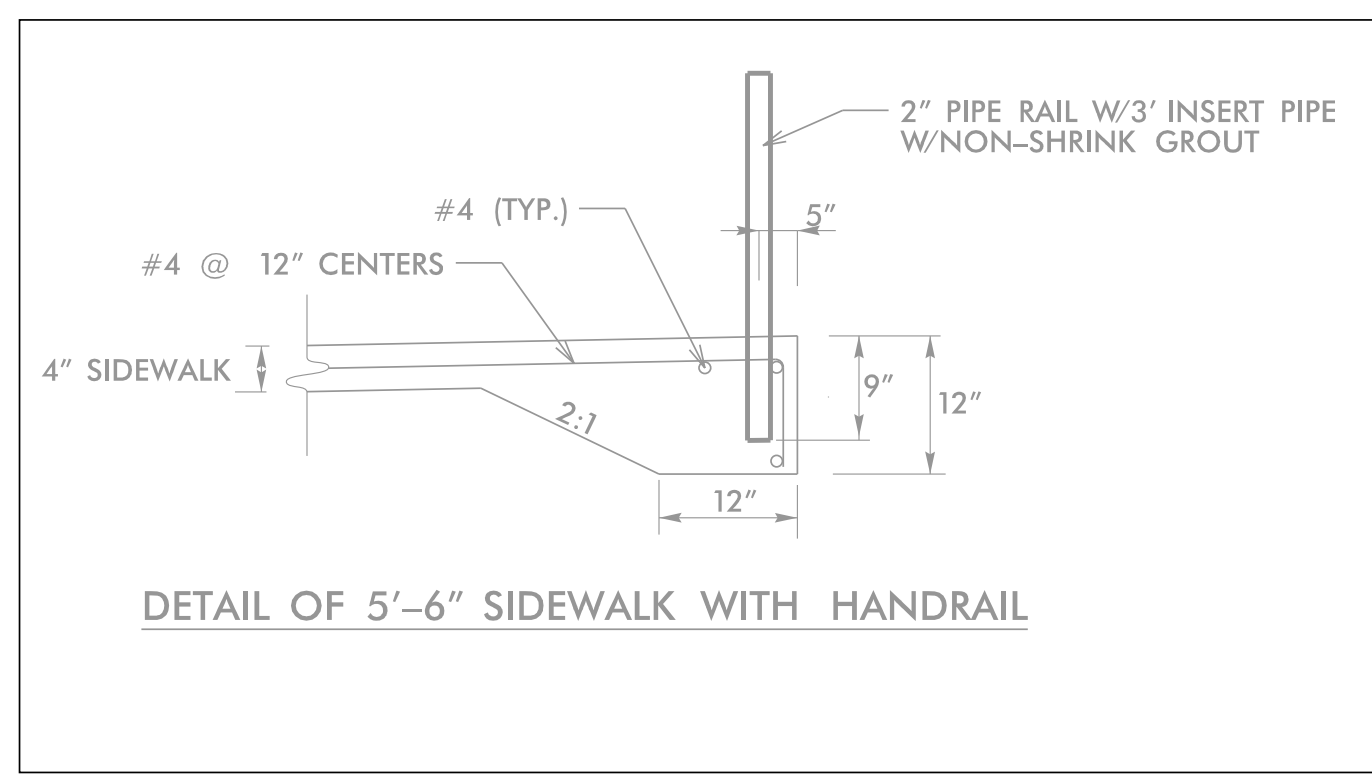
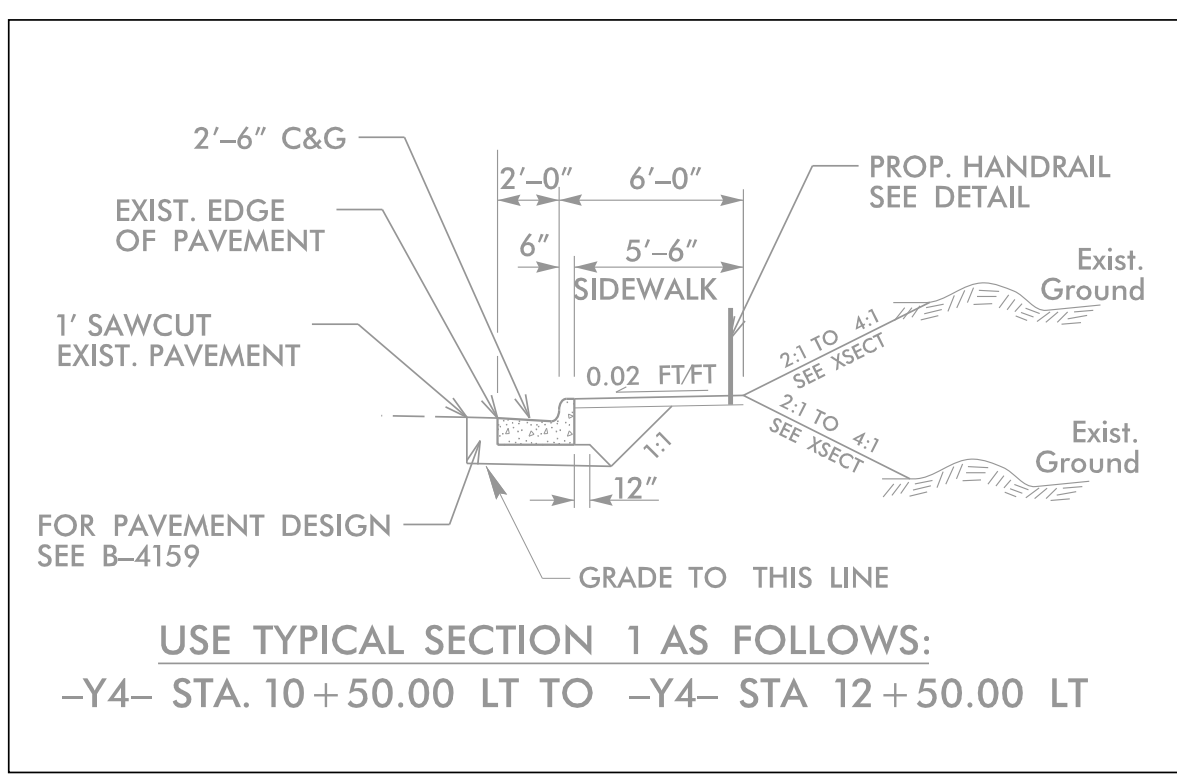
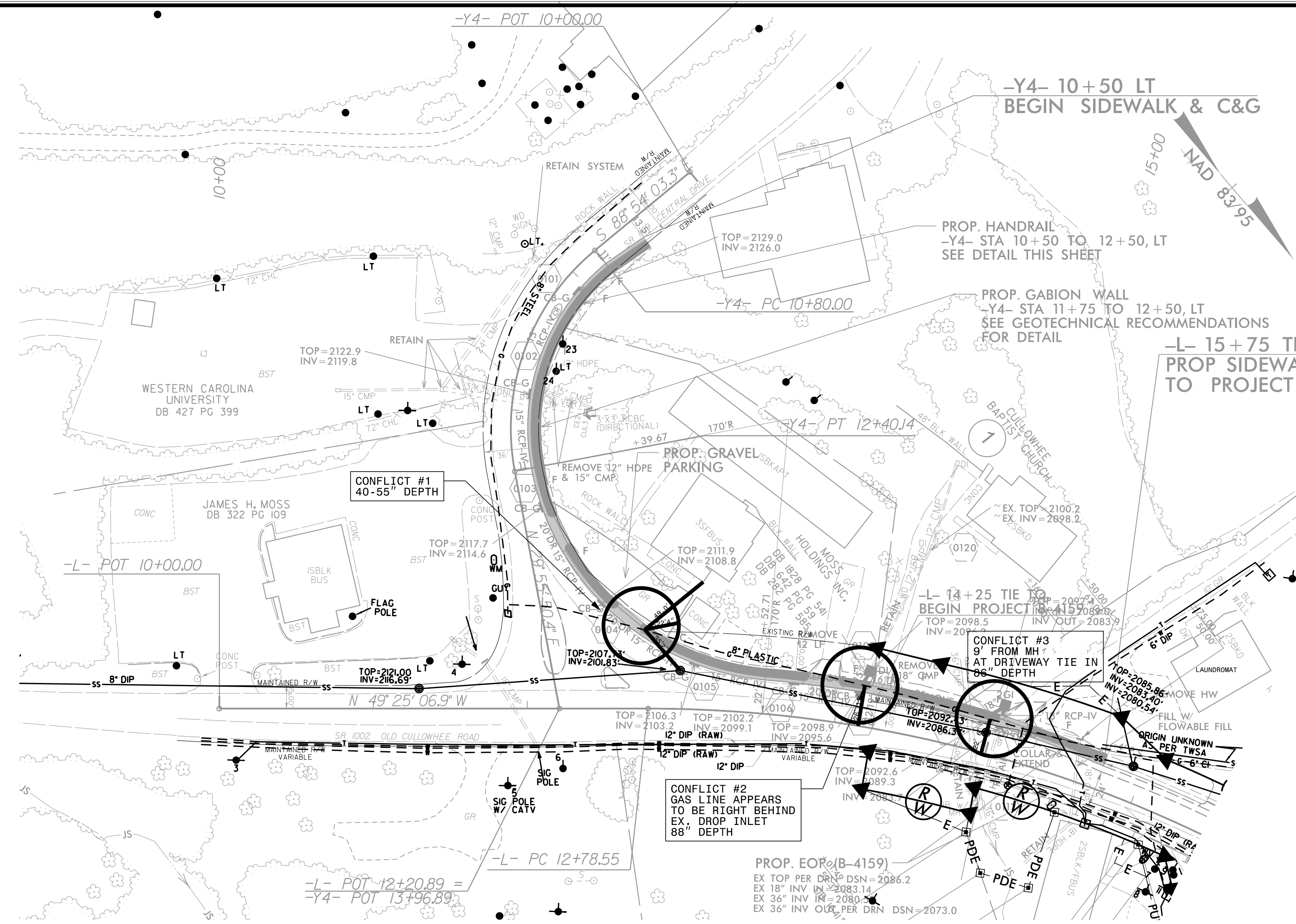
STATE PROJECT NO.	SHEET NO.
17BP.14.R.212	UO-3
THIS SHEET CORRESPONDS TO RDY-	

JACKSON COUNTY

UTILITIES BY OTHERS

ALL PROPOSED UTILITY WORK SHOWN ON THIS SHEET WILL BE DONE BY OTHERS. NO PAYMENT WILL BE MADE TO THE CONTRACTOR FOR PROPOSED UTILITY WORK SHOWN ON THIS SHEET.

-Y4- CURVE DATA	-L- CURVE DATA
PI Sta 11+68.65	PI Sta 26+65.65
$\Delta = 61^{\circ}10'06.3"$ (LT)	$\Delta = 118^{\circ}08'55.9"$ (RT)
D = 38'11" 49.9"	D = 6'53' 41.3"
L = 160.14'	L = 1,713.59'
T = 88.65'	T = 1,387.09'
R = 150.00'	R = 831.00'

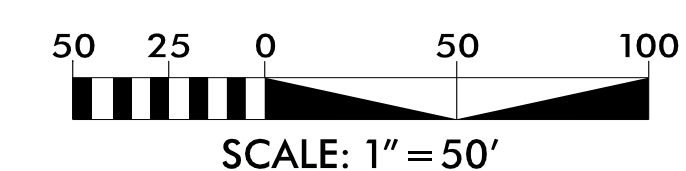


PROP. EOP (B-4159)
 EX TOP PER DRN DSN=2086.2
 EX 18" INV IN=2083.14
 EX 36" INV IN=2080.14
 EX 36" INV OUT PER DRN DSN=2073.0

CONFLICT #2
 GAS LINE APPEARS
 TO BE RIGHT BEHIND
 EX. DROP INLET
 88" DEPTH

CONFLICT #3
 9" FROM MH AT
 DRIVEWAY TIE IN
 86" DEPTH

CONFLICT #1
 40-55" DEPTH



V&M
Vaughn & Melton
 Consulting Engineers

Asheville, North Carolina
 828-253-2798

- Tr-01166, TN 423-467-8401
- Knoxville, TN 865-546-3800
- Spartanburg, SC 864-574-4775
- Charleston, SC 843-214-5620
- Middleboro, VT 606-248-6600
- Chattanooga, NC 423-587-0488
- Boone, NC 828-335-9933
- Kennesaw, GA 770-627-9590

Copyright © 2005 Vaughn & Melton, Inc. All Rights Reserved.

1/19/2022 9:34:44 AM Sidewalk_UO-3.dgn