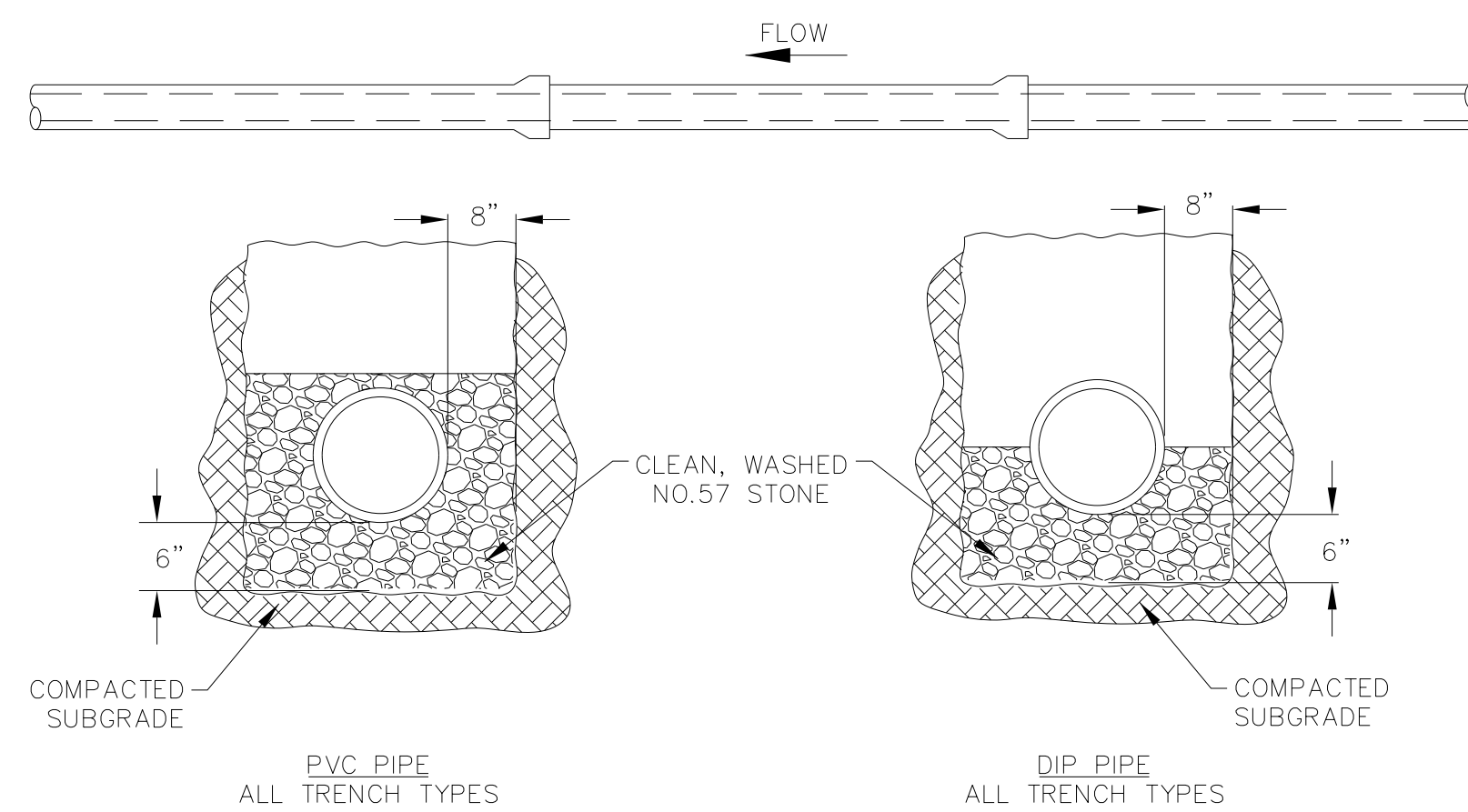
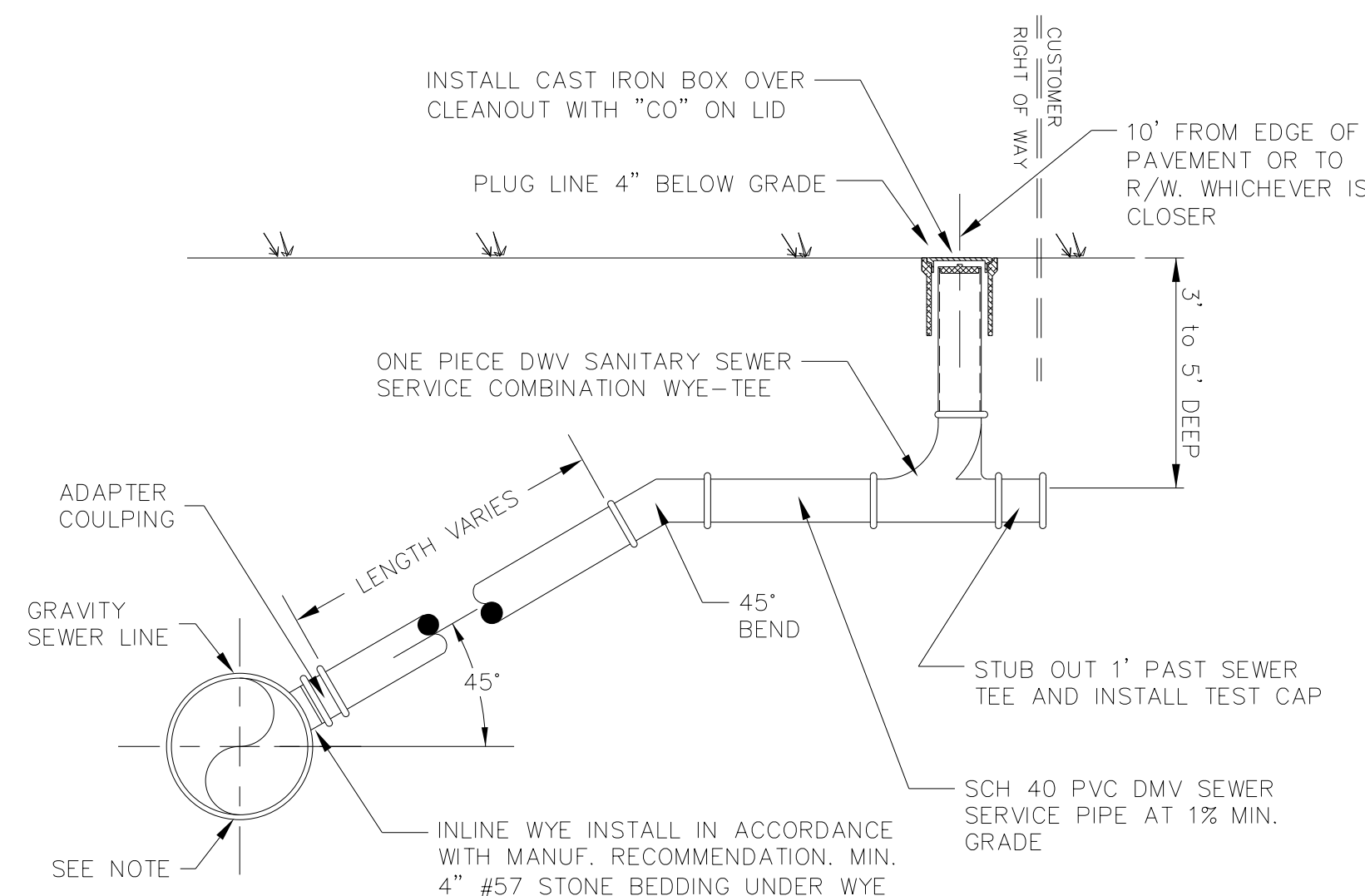


PROJECT REFERENCE NO. 17BP.14.R.212	SHEET NO. UC-3C
DESIGNED BY: DRD	
DRAWN BY: DRF	
CHECKED BY: DWH	
APPROVED BY: RMS	
REVISED:	
NORTH CAROLINA DEPARTMENT OF TRANSPORTATION UTILITIES ENGINEERING SEC. PHONE: (919) 707-6690 FAX: (919) 250-4151	
UTILITY CONSTRUCTION PLANS ONLY DOCUMENT NOT CONSIDERED FINAL UNTIL ALL SIGNATURES ARE COMPLETED	



**GRAVITY SEWER EMBEDMENT DETAIL**

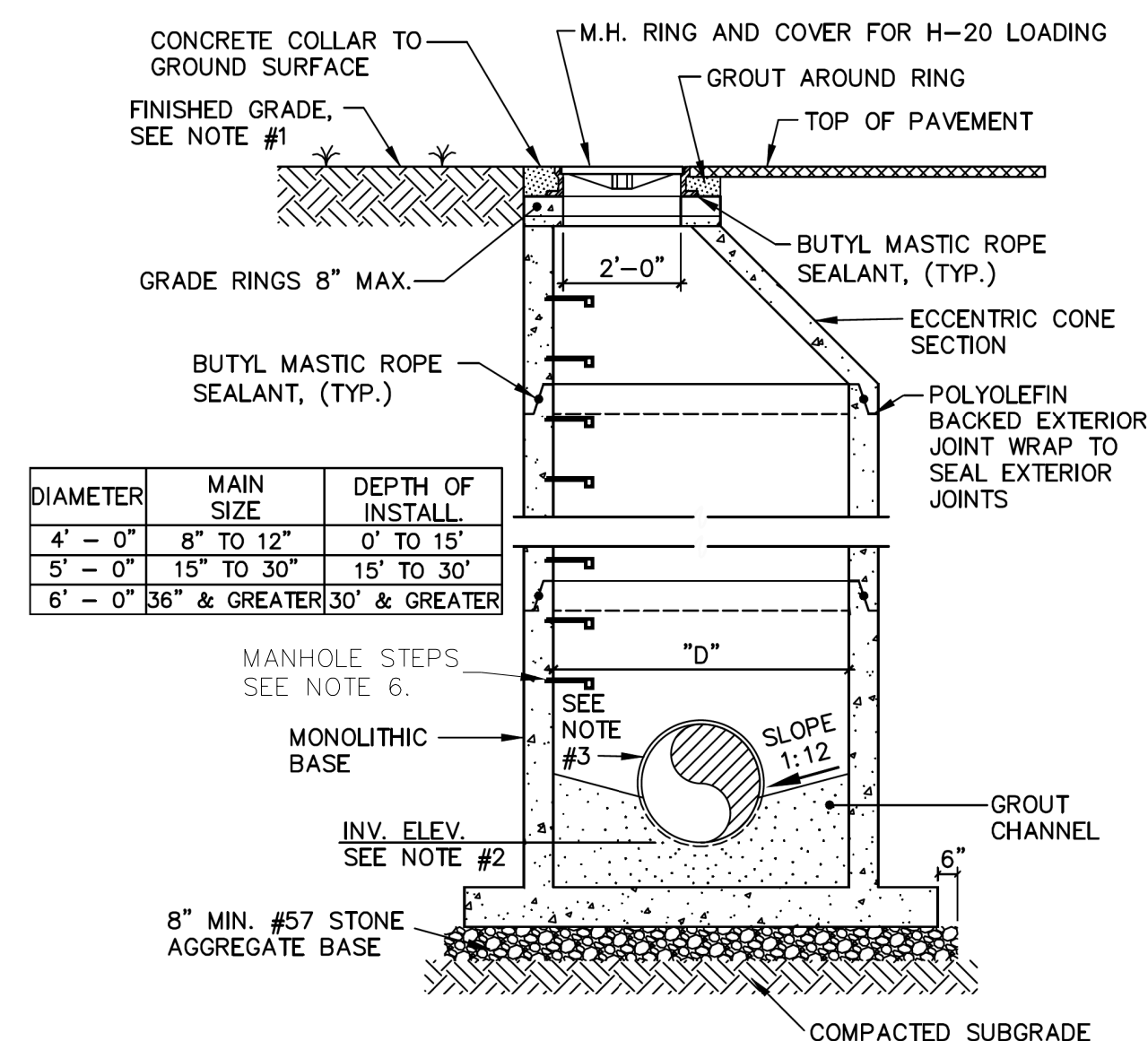
NOT TO SCALE



NOTE:  
1. REFER TO SPECIFICATIONS FOR BEDDING, BACKFILLING AND COMPACTION REQUIREMENTS.

**TYPICAL SANITARY SEWER LATERAL CONNECTION**

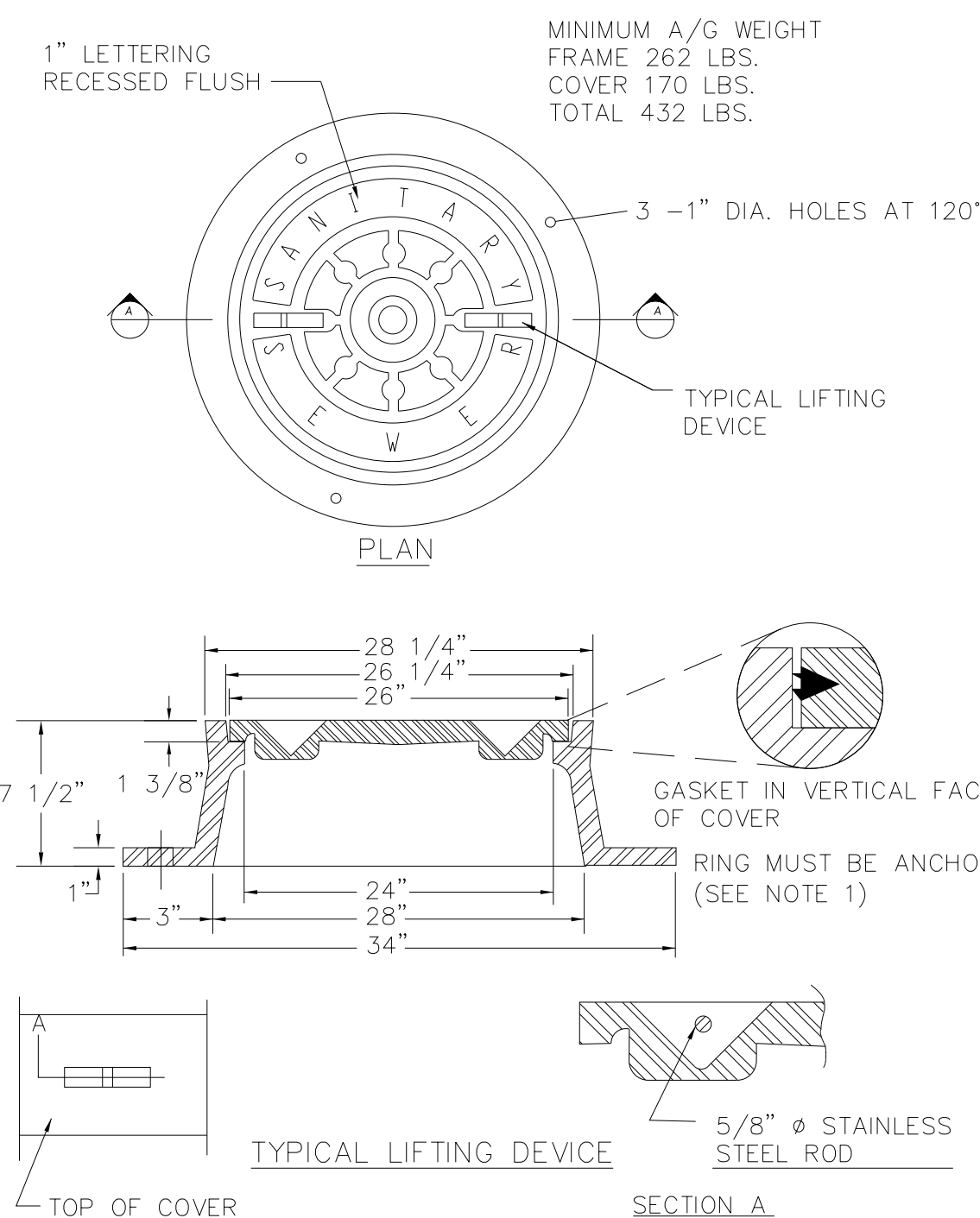
NOT TO SCALE



- NOTES:
1. THE DISTANCE FROM THE TOP OF M.H. RING AND COVER MAY VARY WIDELY. SEE GRADING PLAN, AND/OR MANHOLE SCHEDULE.
  2. INVERT ELEV. SHOWN ON THE PLANS OR MANHOLE SCHEDULE ARE AT THE INLET AND OUTLET OF MANHOLE UNLESS OTHERWISE NOTED.
  3. CARRIER PIPE TO MANHOLE CONNECTIONS SHALL BE RUBBER SLEEVE WITH DUAL S.S. BANDS.
  4. ALL MANHOLES ARE TO BE EXTENDED BASE.
  5. ALL INTERIOR JOINTS AND LIFTING POINTS SHALL BE SEALED WITH GROUT.
  6. MANHOLE STEPS SHALL BE M.A. IND. PS-1-PF REINFORCED PLASTIC STEPS OR APPROVED EQUAL.

**STANDARD PRECAST SANITARY SEWER MANHOLE (ECCENTRIC)**

NOT TO SCALE



- NOTES:
1. ALL MANHOLE FRAMES SHALL BE DOMESTICALLY CAST.
  2. FRAME SHALL BE A MINIMUM WEIGHT OF 182 LBS.
  3. COVER SHALL WEIGH A MIN. OF 120 LBS.
  4. MANHOLES WITHIN PAVED SURFACES SHALL BE CONSTRUCTED IN ACCORDANCE WITH DETAIL.
  5. CONSEAL SHALL BE USED BETWEEN RING AND CONE.

**MANHOLE FRAME AND WATERTIGHT COVER**

NOT TO SCALE

**V&M**  
Vaughn & Melton  
Consulting Engineers

Tri-Cities, TN 423-467-8401	Knoxville, TN 865-546-5800	Spartanburg, SC 864-574-4175	Charleston, SC 843-974-9550
Asheville, NC 828-253-2796	Wadesboro, NC 770-621-3590	Kennesaw, GA 770-621-3590	

Copyright © 2019 Vaughn & Melton, Inc. All Rights Reserved.

V:\NC\Utility\031730-21 49-0159 CULL BR UC\Utility Coordination\Utilities\490159\_Utl\_UC\_UC-03C.dgn

6-6-23