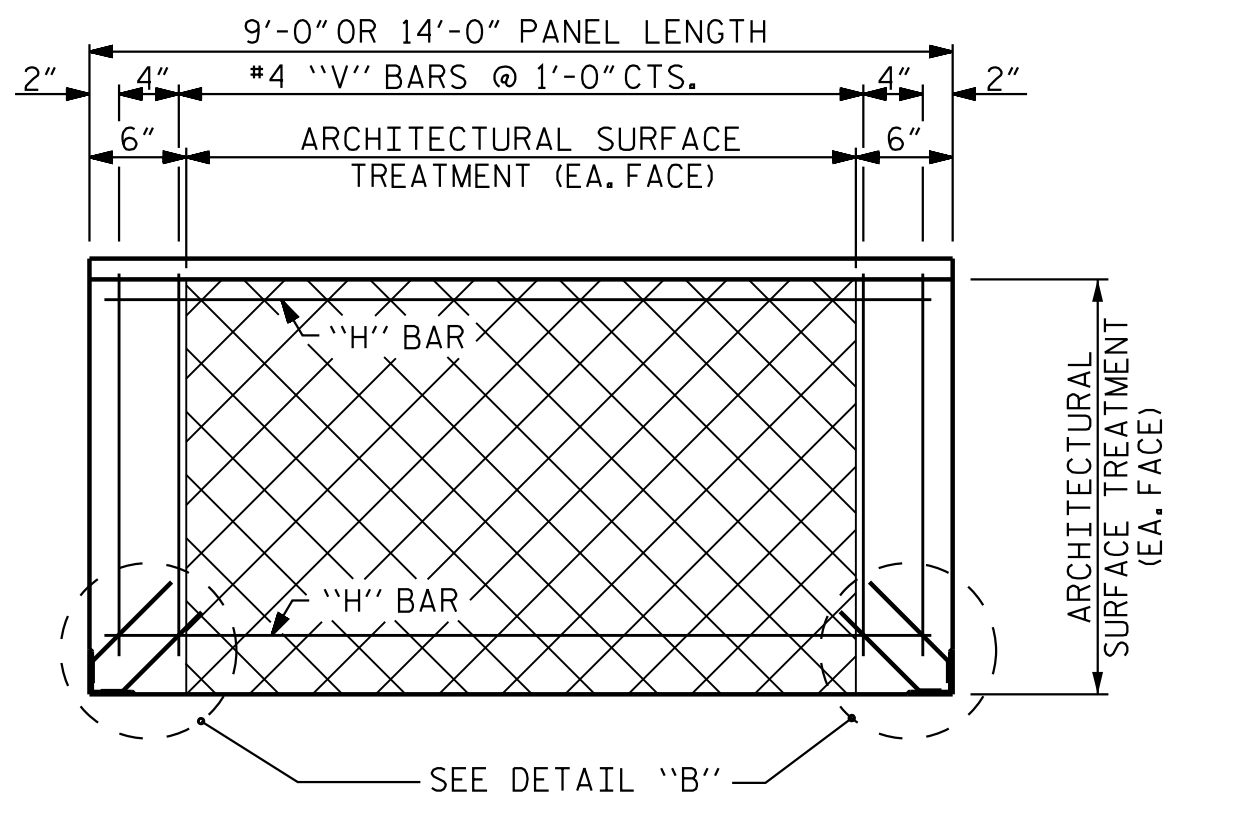
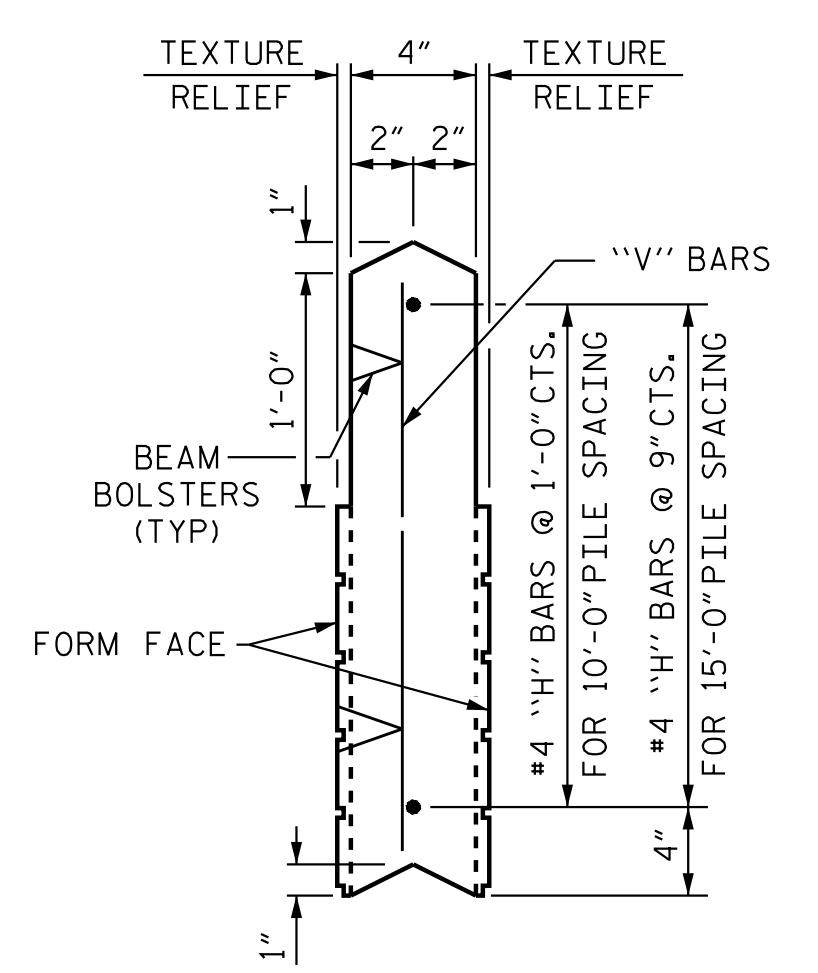


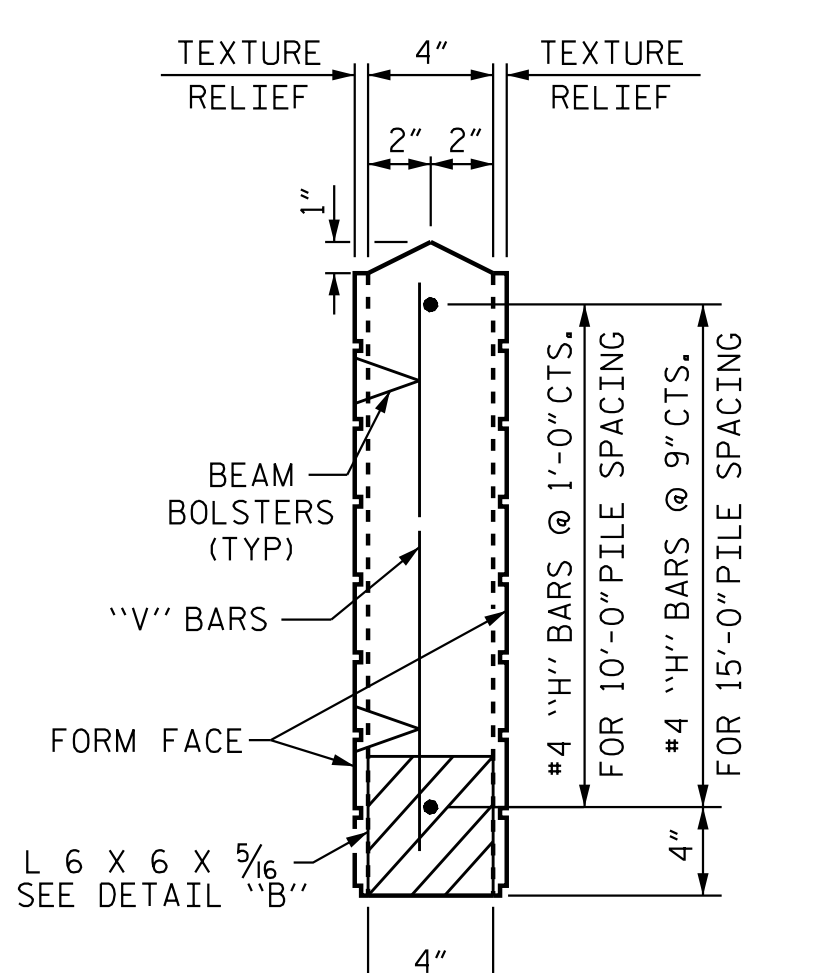
FRONT ELEVATION OF UPPER PRECAST PANEL



FRONT ELEVATION OF BOTTOM PRECAST PANEL

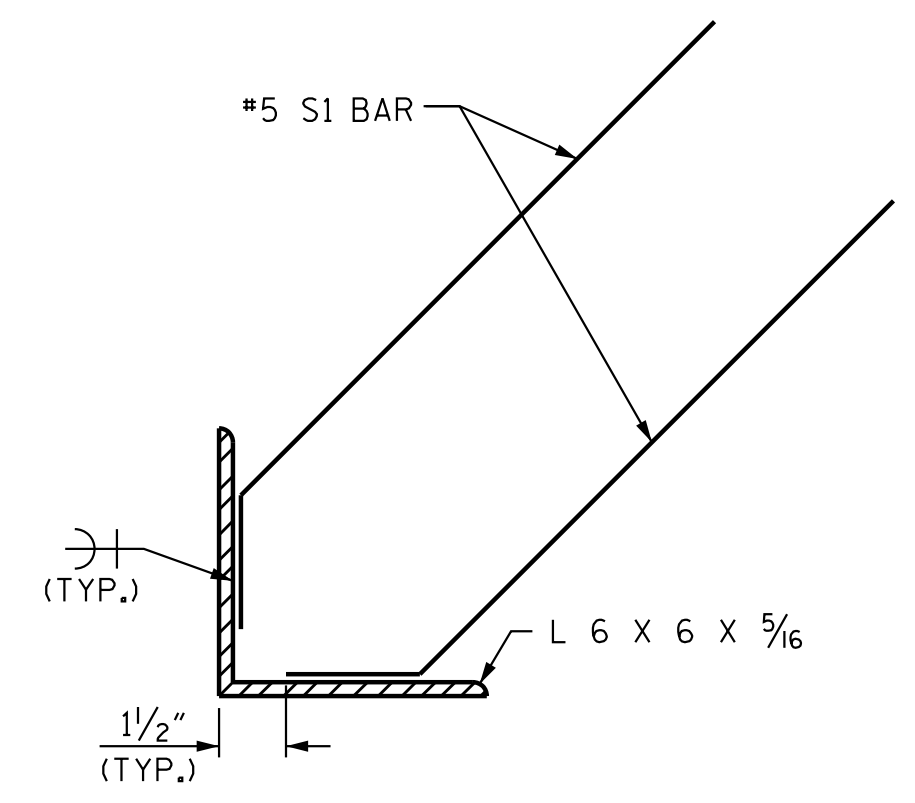


UPPER PANEL



BOTTOM PANEL

SECTION THROUGH PRECAST PANELS



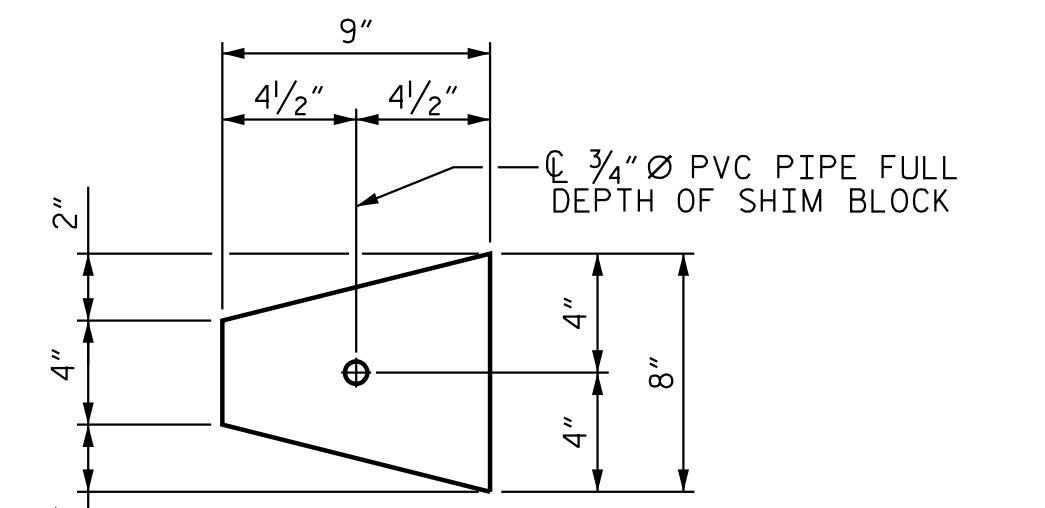
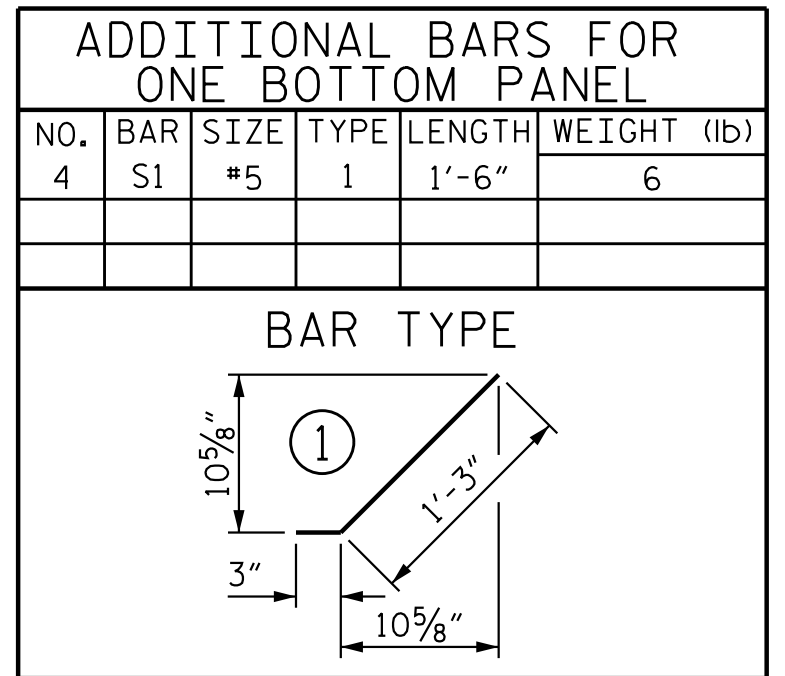
DETAIL "B"

QUANTITIES FOR ONE PRECAST PANEL (FOR 10'-0" PILE SPACING)

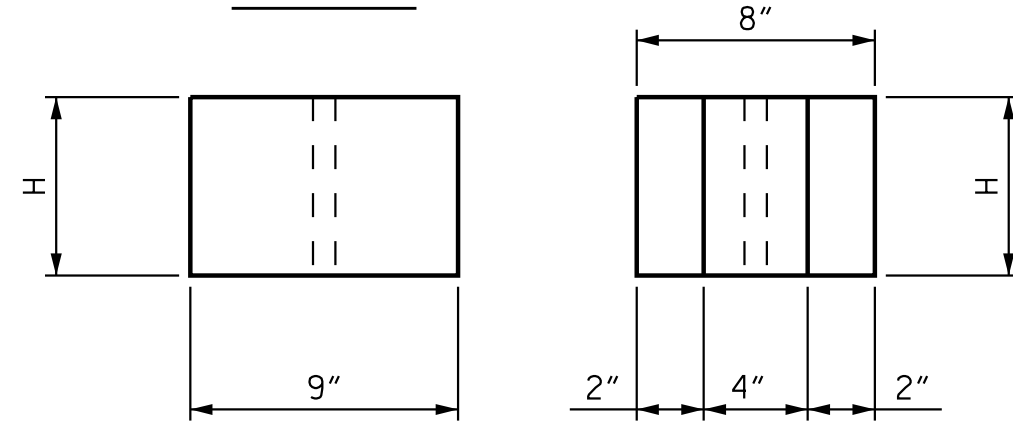
PANEL HEIGHT	CLASS AA CONCRETE C.Y.	BAR TYPES											
		HORIZONTAL						VERTICAL					
		NO.	BAR	SIZE	TYPE	LENGTH	WEIGHT (lb)	NO.	BAR	SIZE	TYPE	LENGTH	WEIGHT (lb)
2'-0"	0.22	3	H1	#4	STR	8'-8"	17	11	V1	#4	STR	1'-8"	12
3'-0"	0.33	4	H2	#4	STR	8'-8"	23	11	V2	#4	STR	2'-8"	20
4'-0"	0.44	5	H3	#4	STR	8'-8"	29	11	V3	#4	STR	3'-8"	27

QUANTITIES FOR ONE PRECAST PANEL (FOR 15'-0" PILE SPACING)

PANEL HEIGHT	CLASS AA CONCRETE C.Y.	BAR TYPES											
		HORIZONTAL						VERTICAL					
		NO.	BAR	SIZE	TYPE	LENGTH	WEIGHT (lb)	NO.	BAR	SIZE	TYPE	LENGTH	WEIGHT (lb)
3'-0"	0.52	5	H1	#4	STR	13'-8"	46	16	V1	#4	STR	2'-8"	29
4'-0"	0.69	6	H2	#4	STR	13'-8"	55	16	V2	#4	STR	3'-8"	39
5'-0"	0.86	7	H3	#4	STR	13'-8"	64	16	V3	#4	STR	4'-8"	50
6'-0"	1.04	8	H4	#4	STR	13'-8"	73	16	V4	#4	STR	5'-8"	61



PLAN

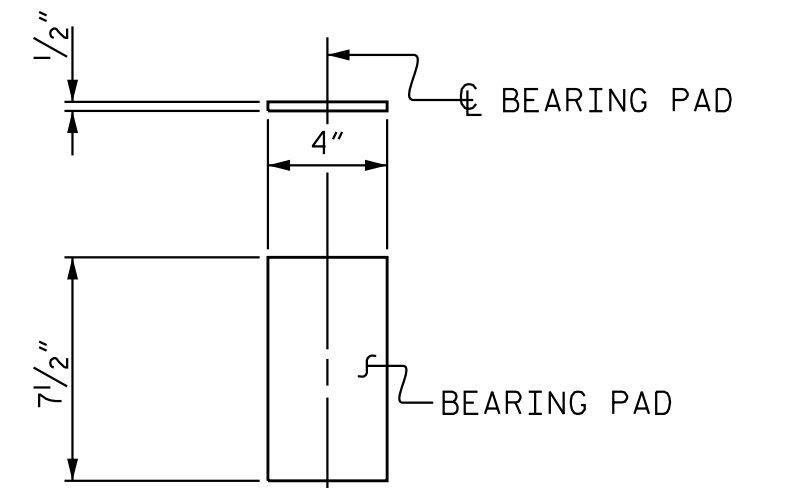


ELEVATION

END

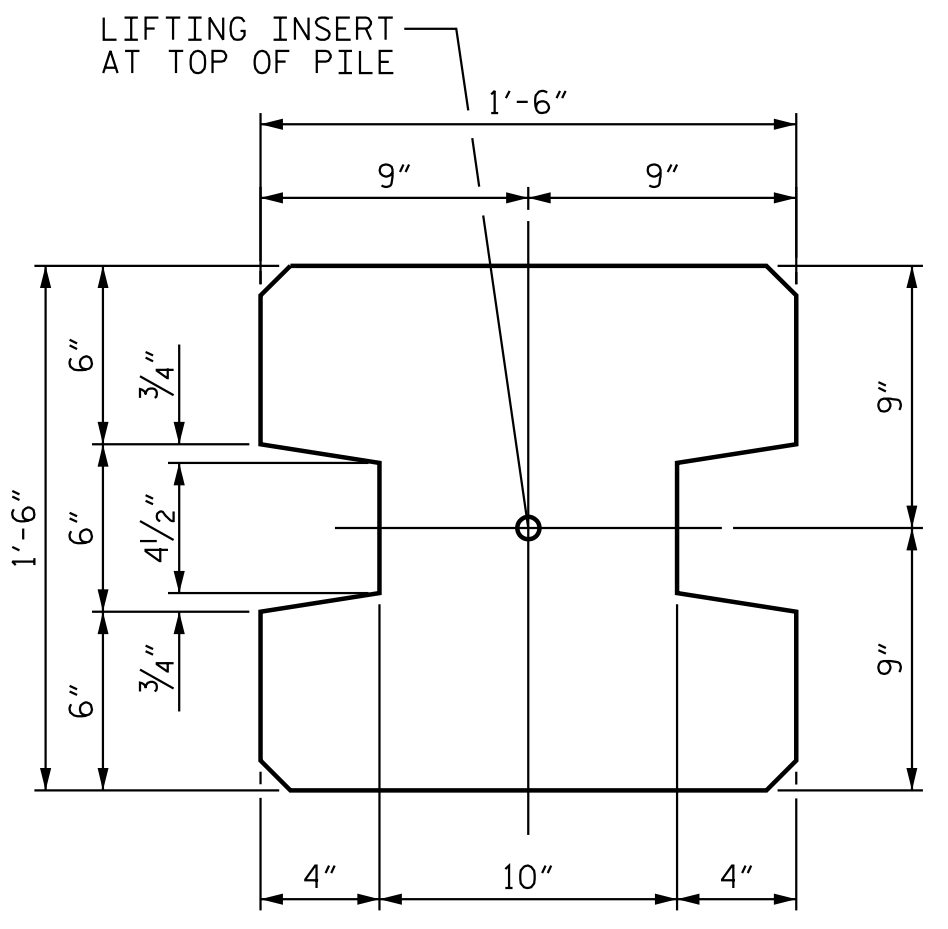
CONCRETE SHIM BLOCK

H = 3', 6" or 1'-0"

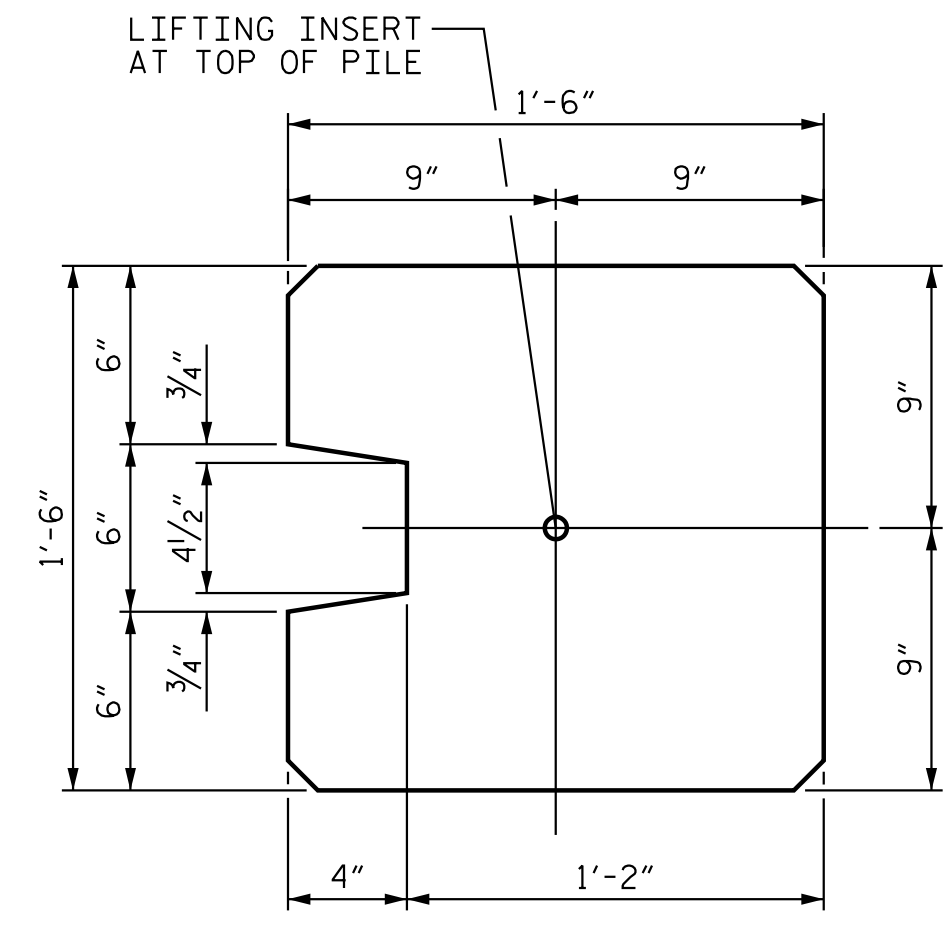


ELASTOMERIC BEARING DETAILS

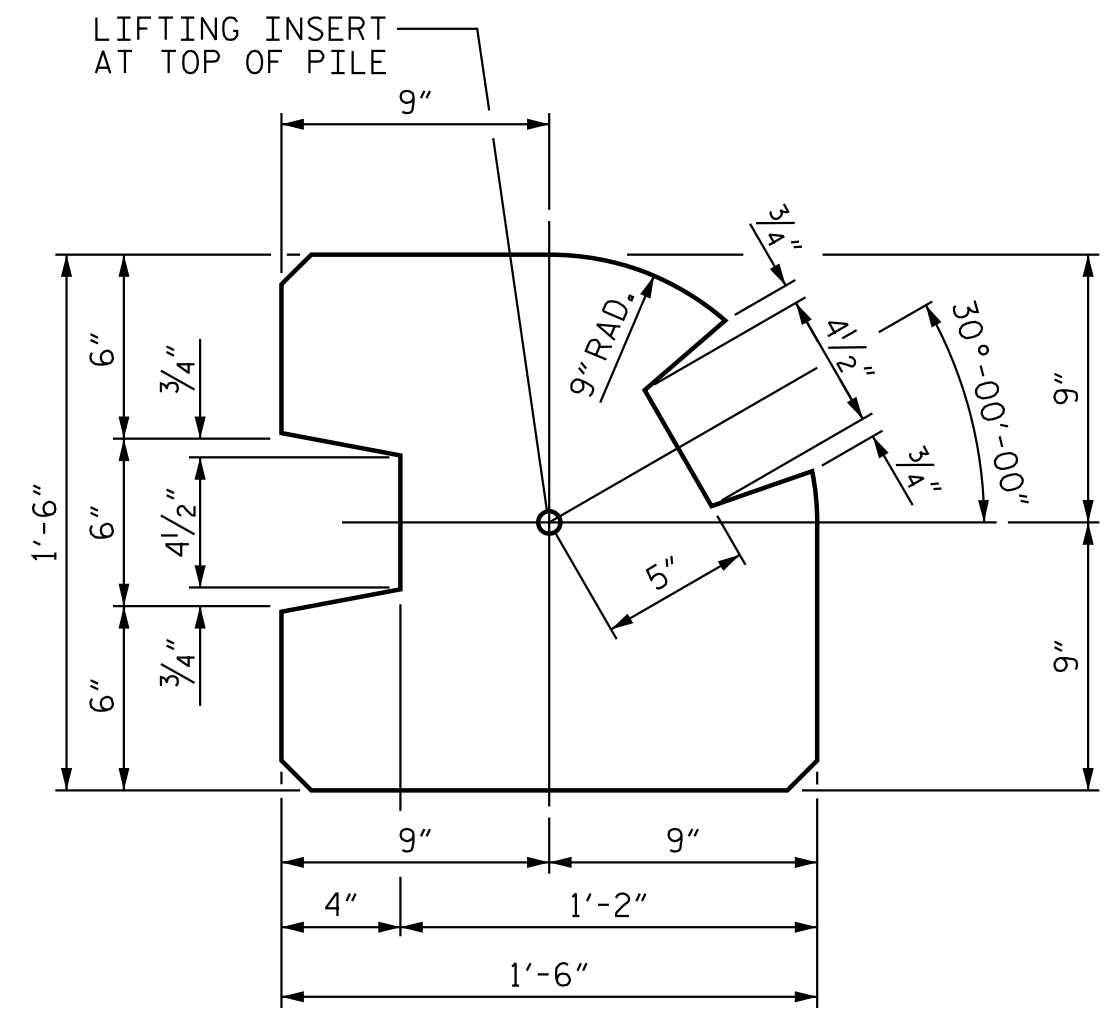
ELASTOMER IN BEARINGS SHALL BE 50 DUROMETER HARDNESS.



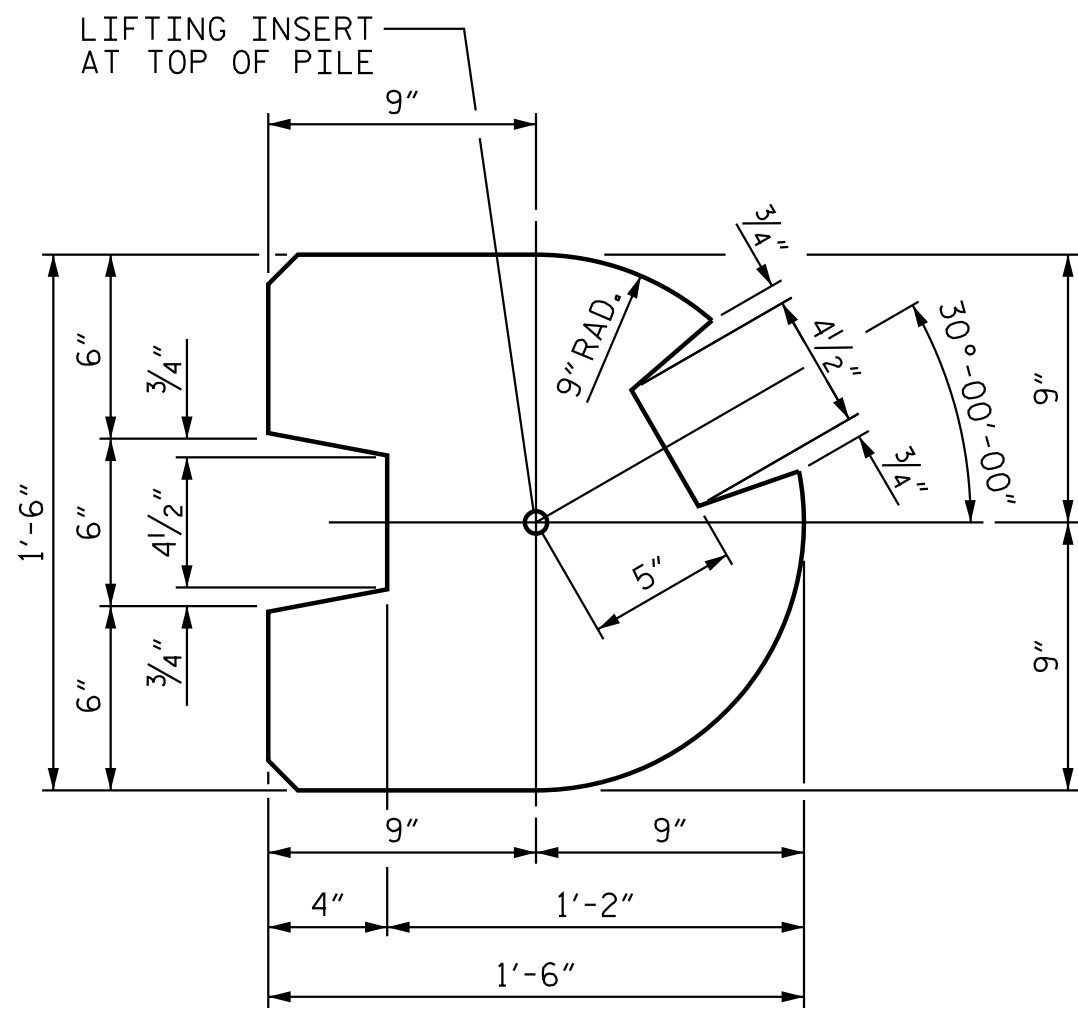
TYPE - I
(AREA = 1.9444 SQ. FT.)



TYPE - II
(AREA = 2.0903 SQ. FT.)



TYPE - III
(AREA = 1.8336 SQ. FT.)



TYPE - III (ALT.)
(AREA = 1.7163 SQ. FT.)

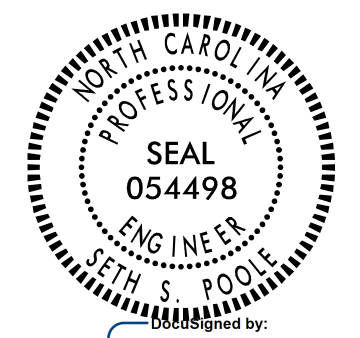
PILE DETAIL

(ALL CORNERS TO BE CHAMFERED 1")

PROJECT NO. R-2707E
CLEVELAND COUNTY
STATION: 935+69.92 -L-

SHEET 2 OF 4

STATE OF NORTH CAROLINA
DEPARTMENT OF TRANSPORTATION
RALEIGH
STANDARD
SOUND BARRIER WALL
DETAILS



REVISIONS						SHEET NO. NW10A-2
NO.	BY:	DATE:	NO.	BY:	DATE:	
1			3			TOTAL SHEETS 4
2			4			

DOCUMENT NOT CONSIDERED FINAL UNLESS ALL SIGNATURES COMPLETED

STD. NO. SBW2

jHagenbush

4/14/2023

c:\p\working\03042743_sbw2_2.dgn



Stantec Consulting Services Inc.
801 Jones Franklin Road
Suite 300
Raleigh, NC 27606
Tel. (919) 851-6866
Fax. (919) 851-7024
www.stantec.com
License No. F-0672

DRAWN BY: A.L. BOYKIN DATE: 02/23/23
CHECKED BY: S.S. POOLE DATE: 03/03/23

DESIGN ENGINEER OF RECORD: S.S. POOLE DATE: 04/14/23