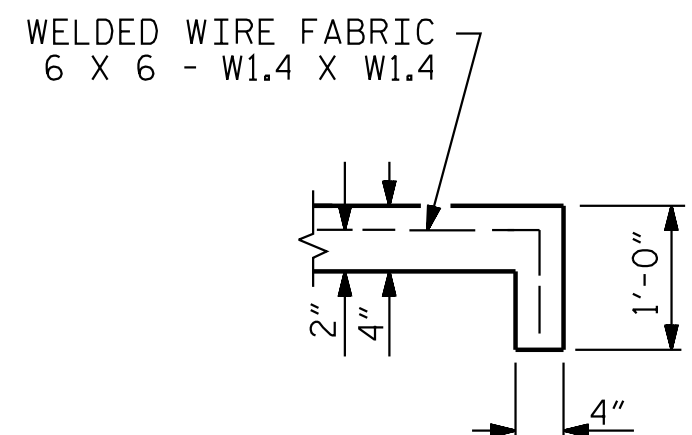
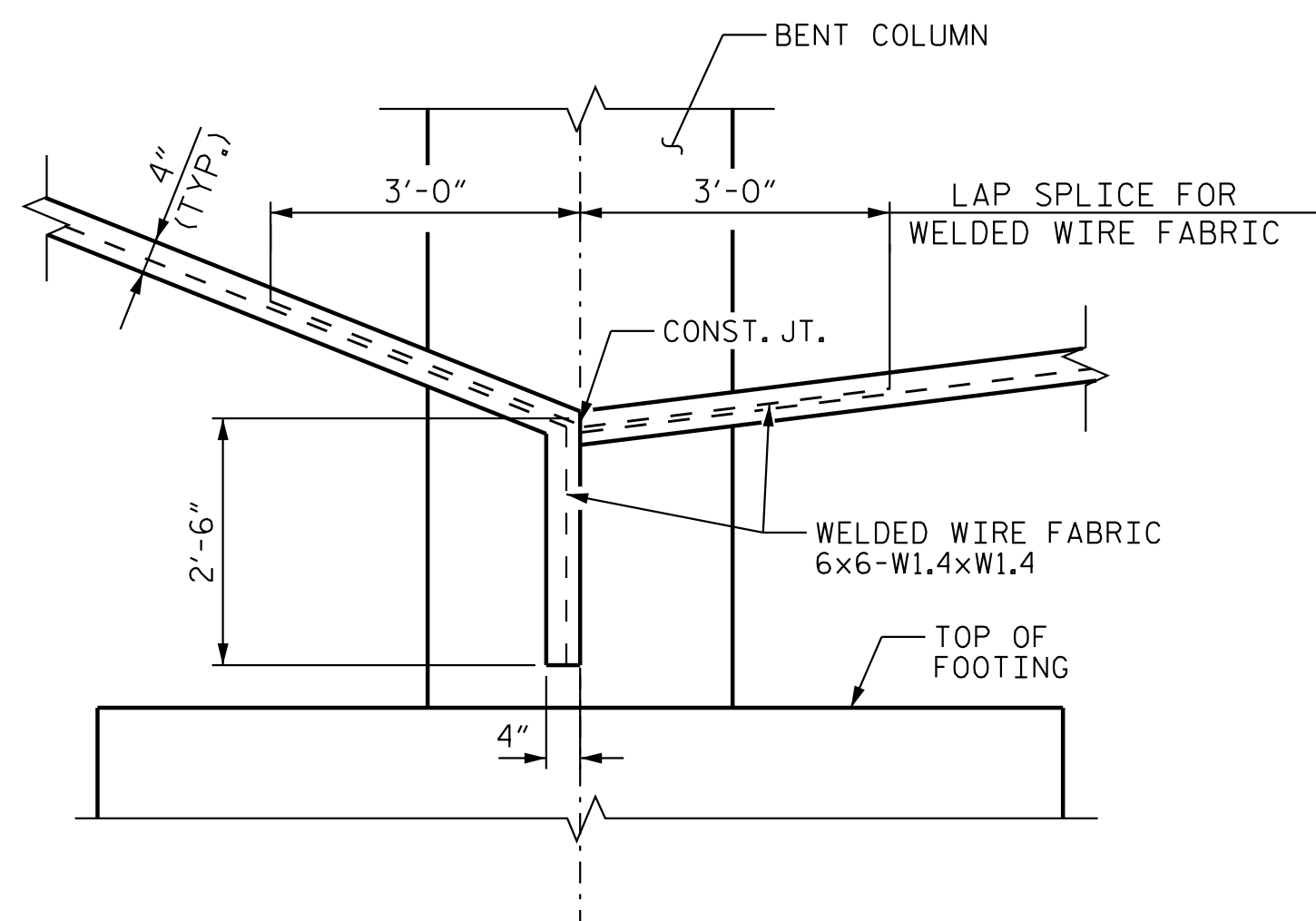


SECTION ALONG -Y42-

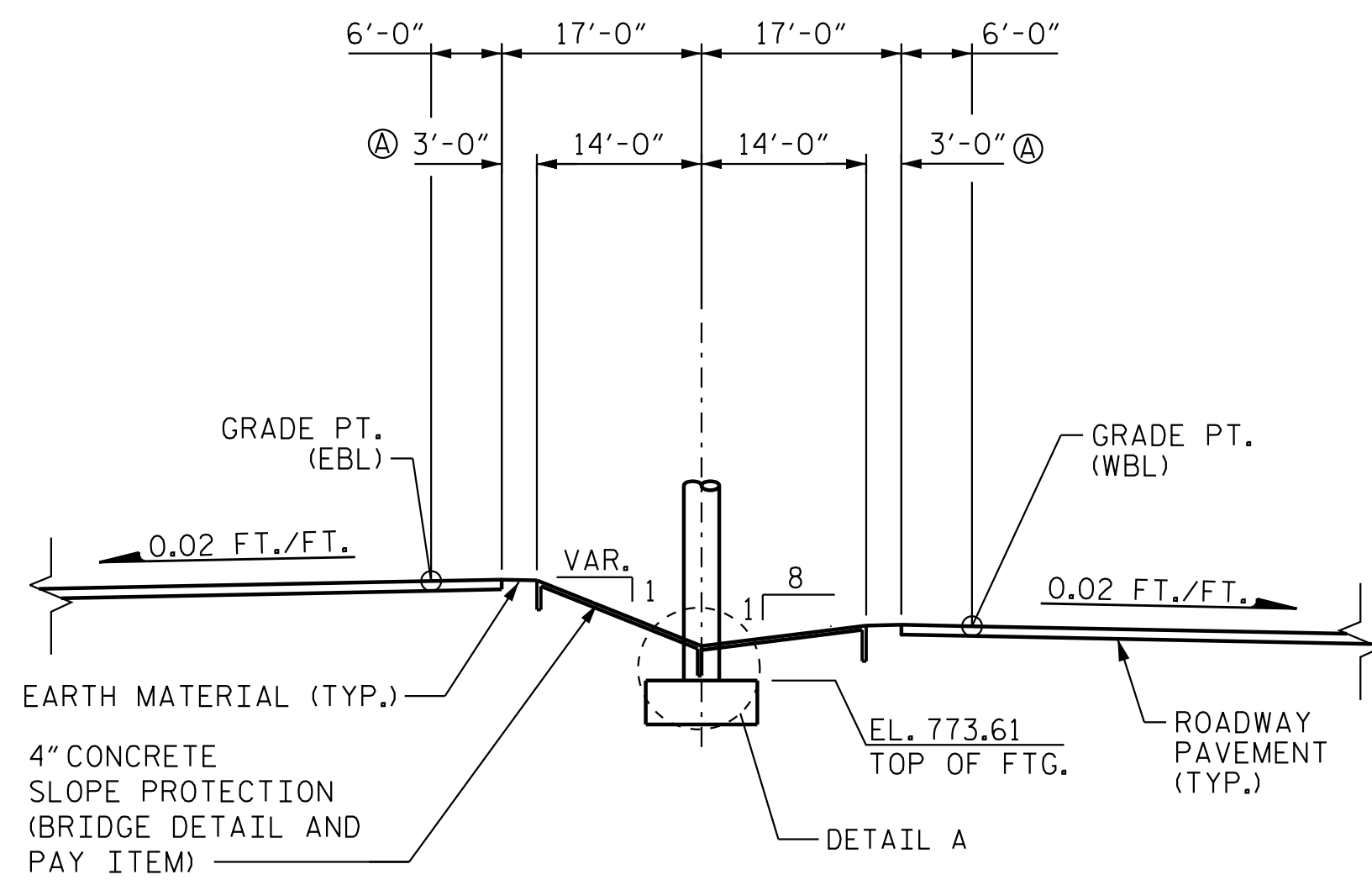


SECTION B-B

DETAILS FOR ALTERNATE "A"

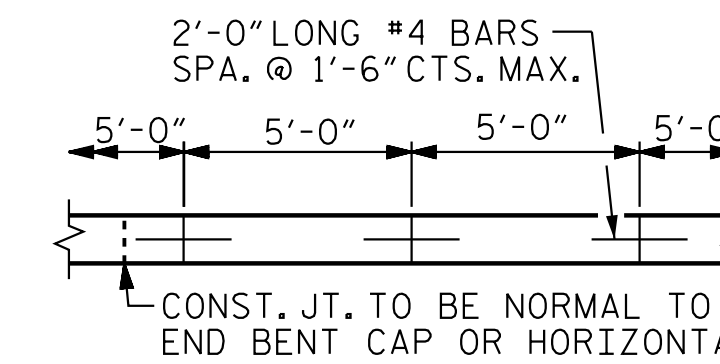


DETAIL "A"



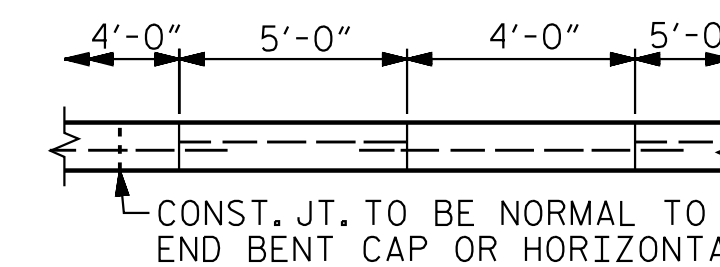
SECTION C-C

Ⓐ 3 FOOT WIDE STRIP FOR GUARDRAIL POSTS



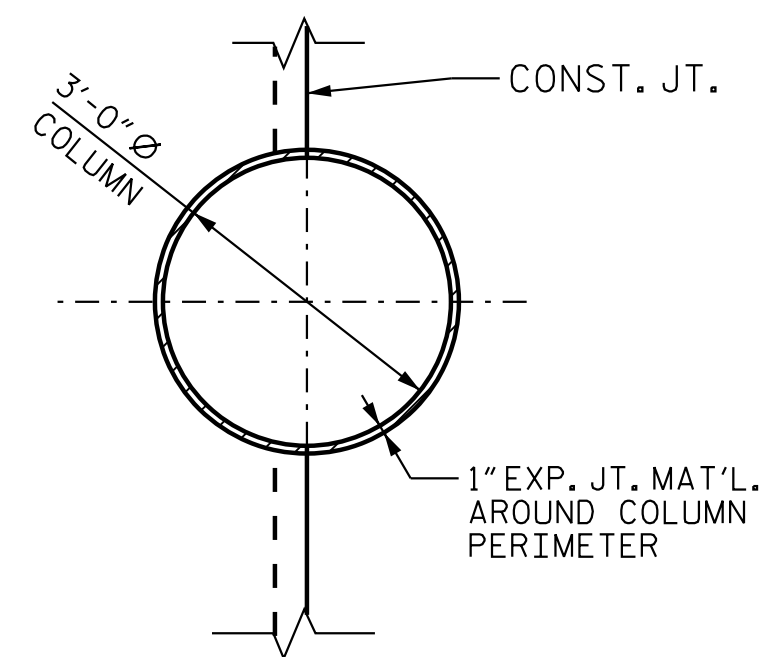
STRIP WIDTHS MAY VARY IN CURVED PORTION.

POURING DETAIL



POUR A 4'-0" STRIP FIRST. STRIP WIDTHS MAY VARY IN CURVED PORTION.

OPTIONAL POURING DETAIL



BENT COLUMN DETAIL

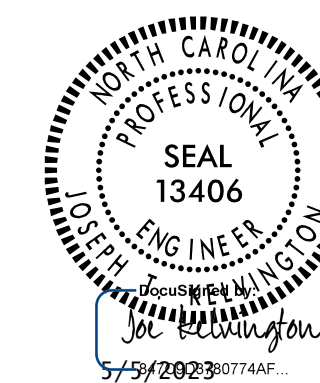
PROJECT NO. R-2707E  
 CLEVELAND COUNTY  
 STATION: 13+08.49 -Y42-



Stantec Consulting Services Inc.  
 801 Jones Franklin Road  
 Suite 300  
 Raleigh, NC 27606  
 Tel. (919) 851-6866  
 Fax. (919) 851-7024  
 www.stantec.com  
 License No. F-0672

DRAWN BY: J. B. GEILE DATE: 01/23/23  
 CHECKED BY: A. L. BOYKIN DATE: 02/17/23

DESIGN ENGINEER OF RECORD: J. T. KELVINGTON DATE: 05/05/23



DOCUMENT NOT CONSIDERED FINAL UNLESS ALL SIGNATURES COMPLETED

STATE OF NORTH CAROLINA DEPARTMENT OF TRANSPORTATION RALEIGH					
SLOPE PROTECTION DETAILS					
REVISIONS					
NO.	BY:	DATE:	NO.	BY:	DATE:
1			3		
2			4		

SHEET NO. S7-32
TOTAL SHEETS 34

C:\Users\jgeile\documents\pwworking\ms555919\R2707E\SMU.SP02.220494.dgn 5/5/2023 12:53:05 PM jgeile