

PLAN OF LEFT WING (W1)

NOTES:

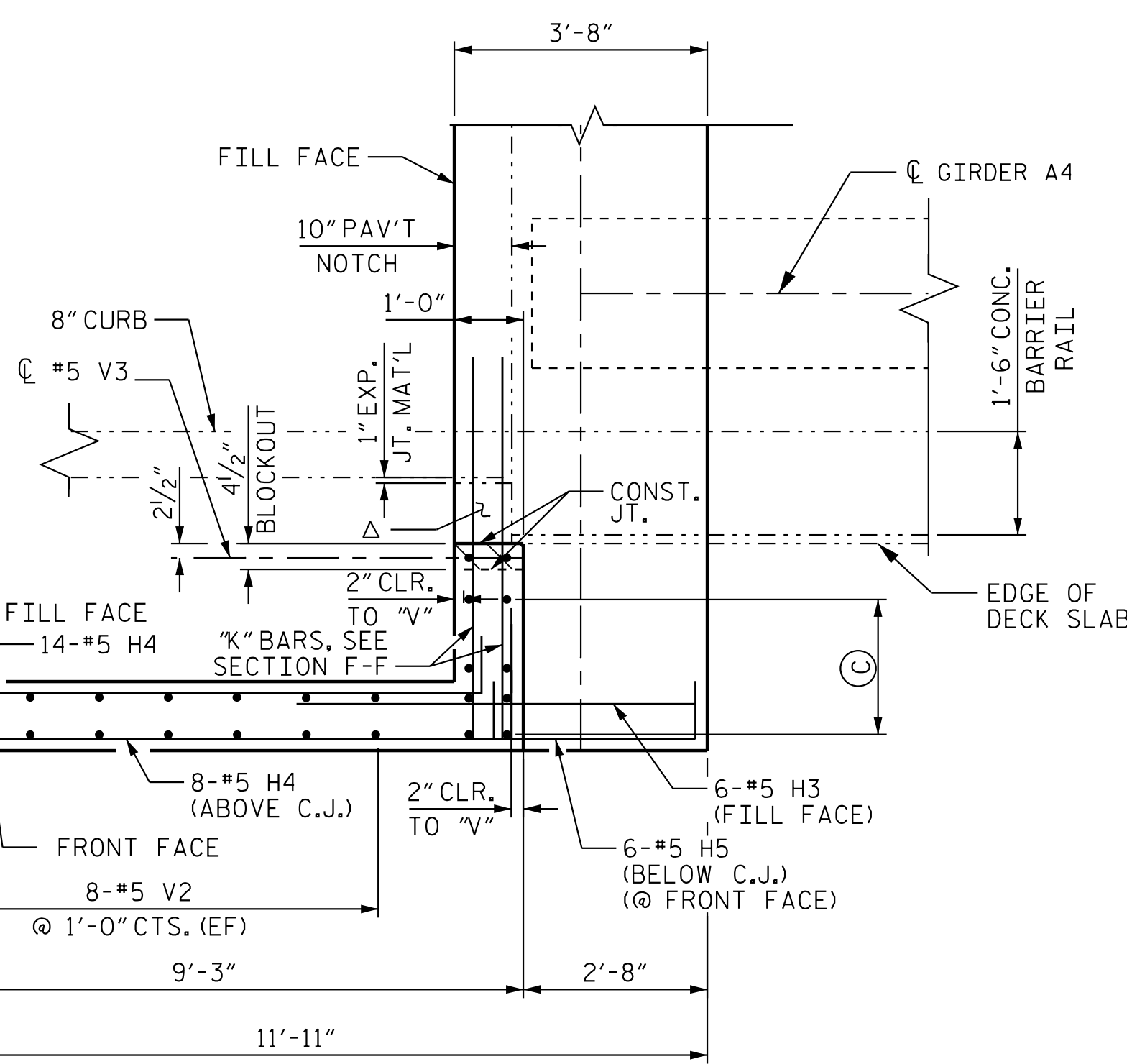
△ AREA BETWEEN APPROACH SLAB CURB AND BLOCKOUT SHALL MATCH THE FINISHED SURFACE OF THE BRIDGE DECK.

CONCRETE TO BE POURED IN THE HATCHED AREA TO MATCH THE TOP OF THE CURB AND THE INTEGRAL END BENT WING ELEVATION.

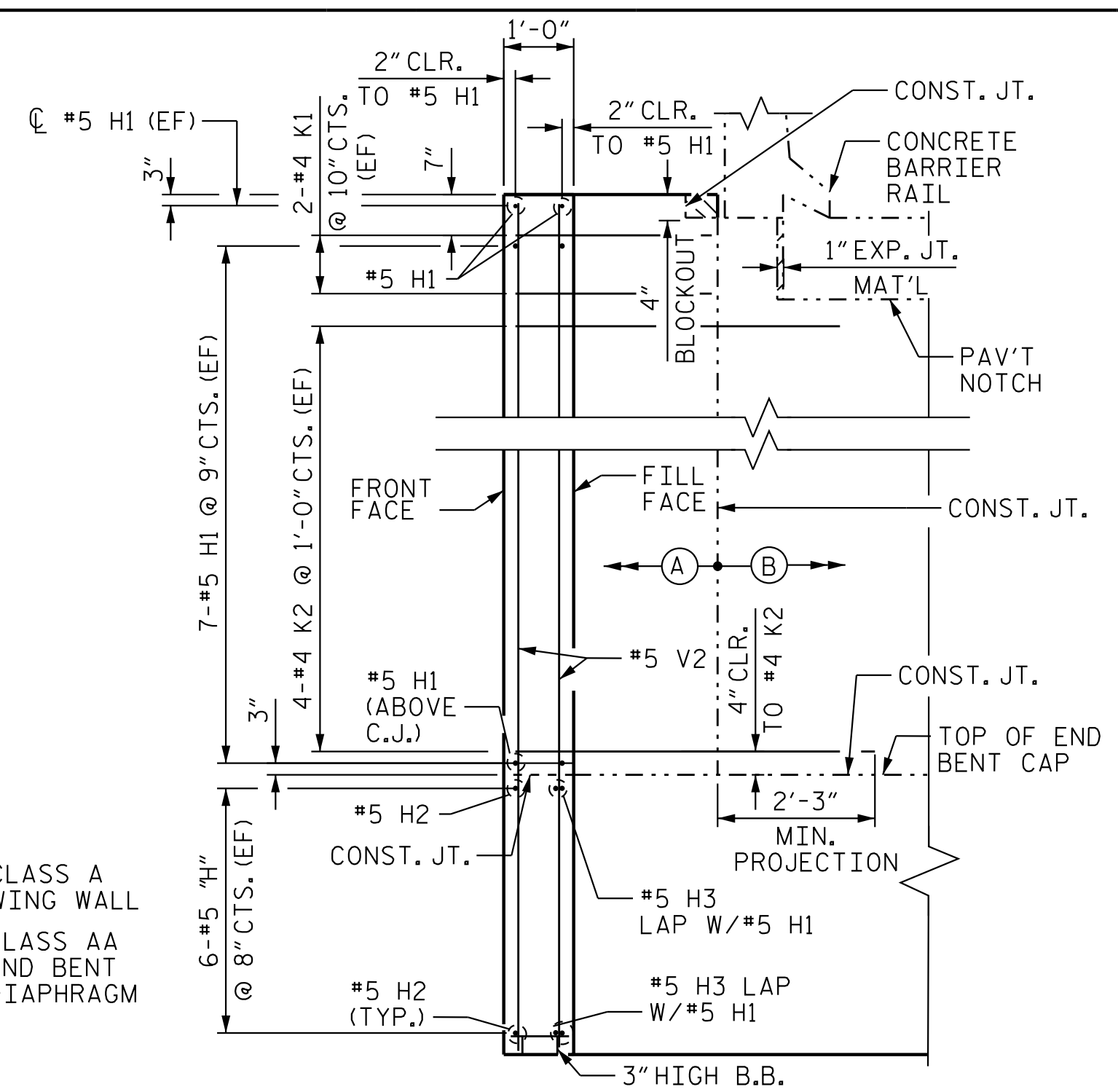
THE CONCRETE IN THE HATCHED AREA OF THE WING IS TO BE POURED AFTER THE JOINT BETWEEN THE BRIDGE DECK AND THE APPROACH SLAB HAS BEEN SAWed AND IF SLIP FORMING IS USED, THE BARRIER HAS BEEN CAST.

#5 H3 BARS MAY BE REPOSITIONED SLIGHTLY, VERTICALLY TO CLEAR CAP REINFORCEMENT AND HORIZONTALLY TO CLEAR THE PILE.

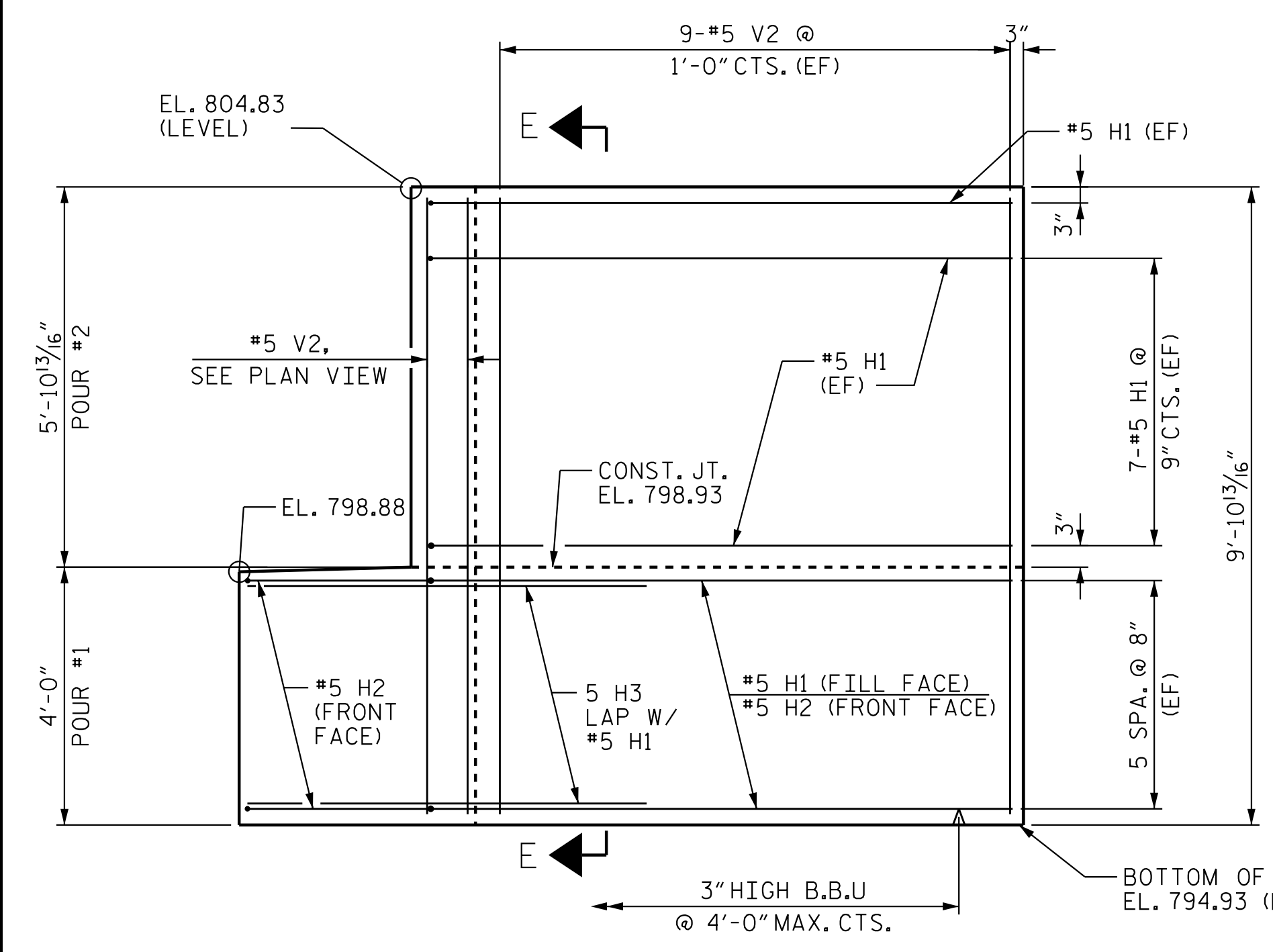
ⓐ 8-#5 V2 @ 9" MAX. SPA., 4 ON EA. FACE (SPA. AS SHOWN)



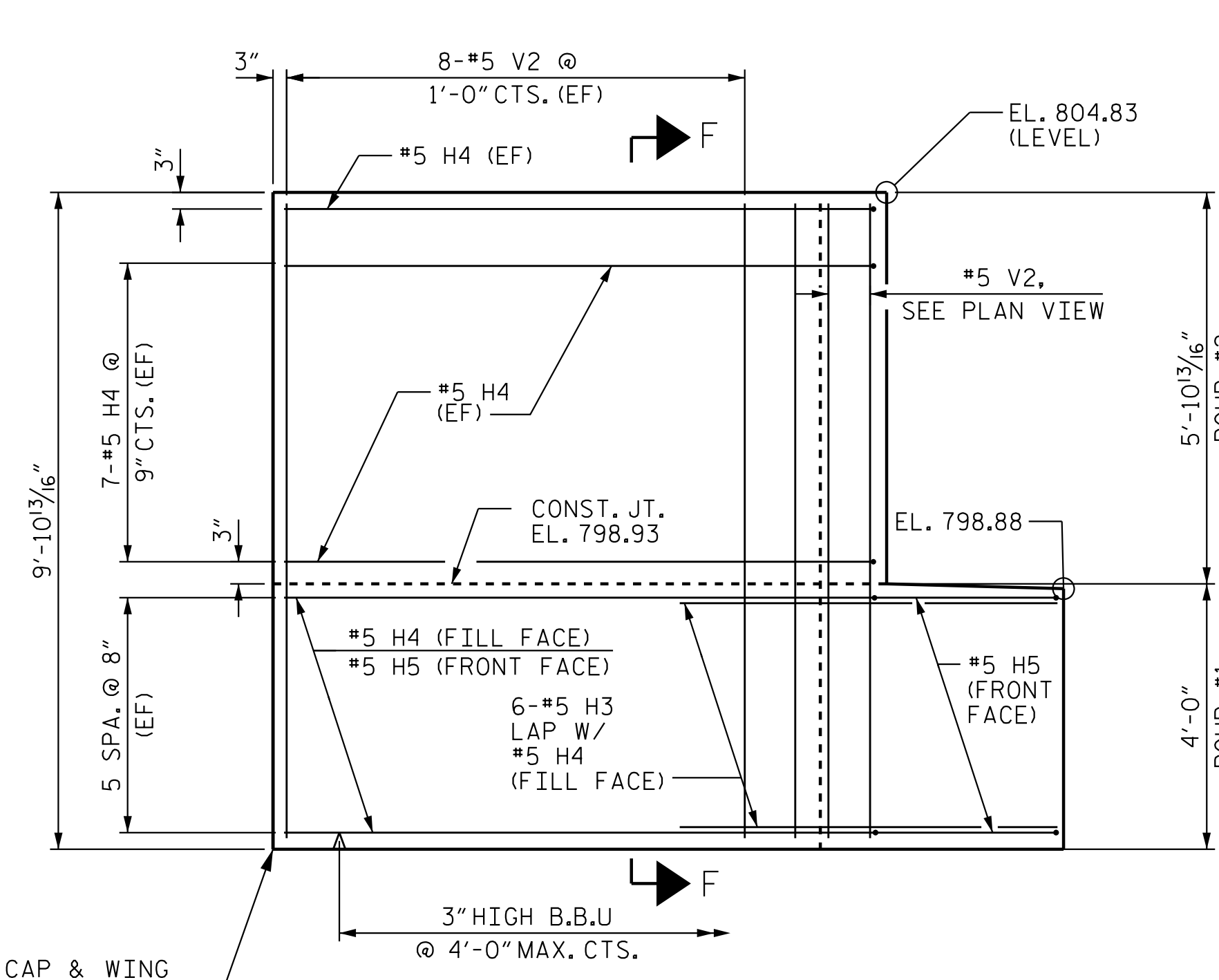
PLAN OF RIGHT WING (W2)



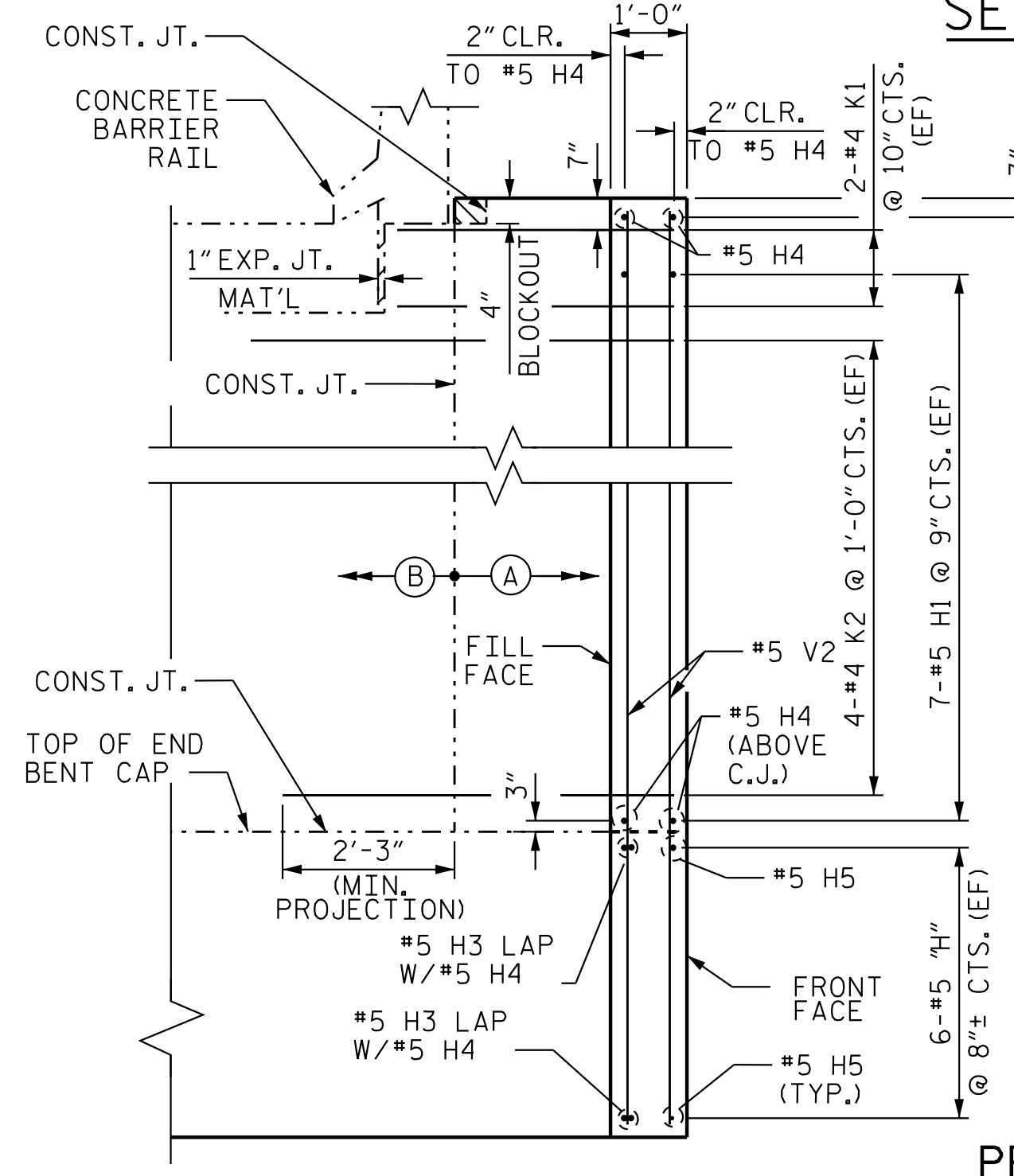
SECTION E-E



ELEVATION OF LEFT WING (W1)



ELEVATION OF RIGHT WING (W2)



SECTION F-F

PROJECT NO. R-2707E

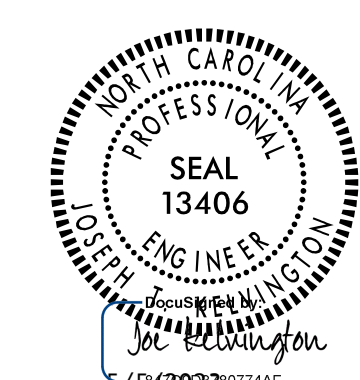
CLEVELAND COUNTY

STATION: 13+08.49 -Y42-

SHEET 2 OF 3

STATE OF NORTH CAROLINA
DEPARTMENT OF TRANSPORTATION
RALEIGH
SUBSTRUCTURE

END BENT 1 WING
DETAILS



REVISIONS						SHEET NO. S7-24
NO.	BY:	DATE:	NO.	BY:	DATE:	
1			3			TOTAL SHEETS 34
2			4			

DOCUMENT NOT CONSIDERED FINAL UNLESS ALL SIGNATURES COMPLETED

NOTE: TOP SURFACE OF END BENT CAP BETWEEN EDGE OF DECK SLAB AND END OF CAP SHALL BE SLOPED TRANSVERSELY FROM EXPOSED FACE OF THE WING TO FRONT FACE AT A RATE OF 1/4" / FT.

(EF) DENOTES EACH FACE.

Stantec Consulting Services Inc.
801 Jones Franklin Road
Suite 300
Raleigh, NC 27606
Tel. (919) 851-6866
Fax. (919) 851-7024
www.stantec.com
License No. F-0672

DRAWN BY: J. B. GEILE DATE: 01/17/23
CHECKED BY: A. L. BOYKIN DATE: 02/17/23
DESIGN ENGINEER OF RECORD: J. T. KELVINGTON DATE: 05/05/23

c:\users\jgelle\documents\p\w\working\ms5559\R2707E.SMU.E02.220494.dgn.DCN 5/5/2023 12:50:23 PM jgelle