

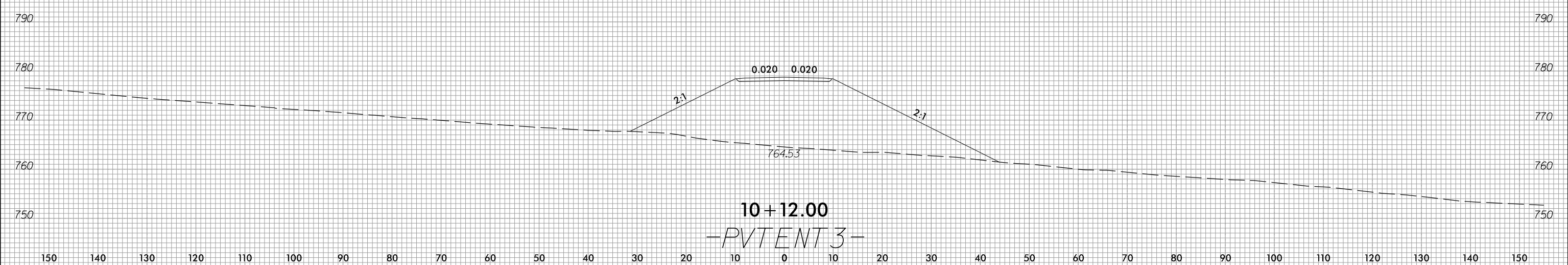
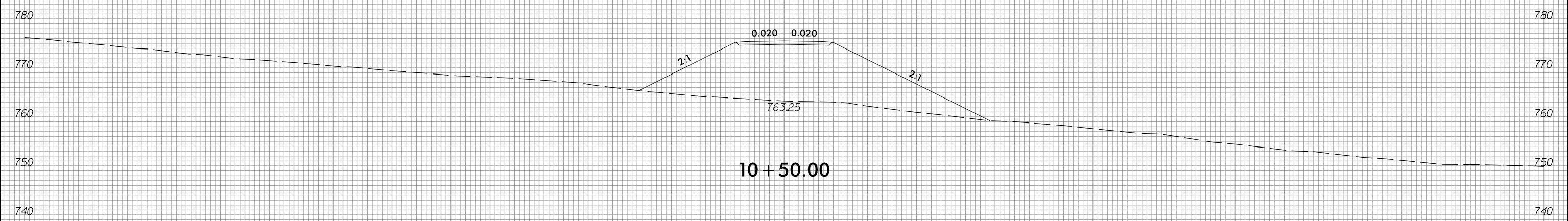
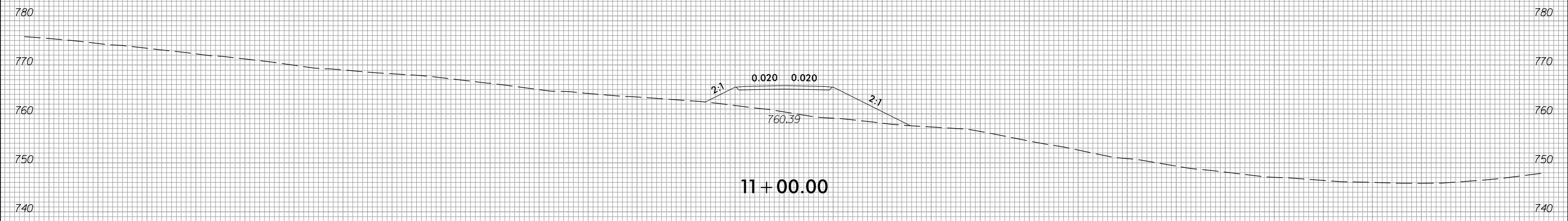
6/23/16



PROJ. REFERENCE NO.  
R-2707E

SHEET NO.  
X-373

150 140 130 120 110 100 90 80 70 60 50 40 30 20 10 0 10 20 30 40 50 60 70 80 90 100 110 120 130 140 150



3/23/2023  
c:\users\mferguson\documents\pwworking\0103759\12707E\_RDY\_XPL\_PVTENT3.dgn  
mferguson

150 140 130 120 110 100 90 80 70 60 50 40 30 20 10 0 10 20 30 40 50 60 70 80 90 100 110 120 130 140 150