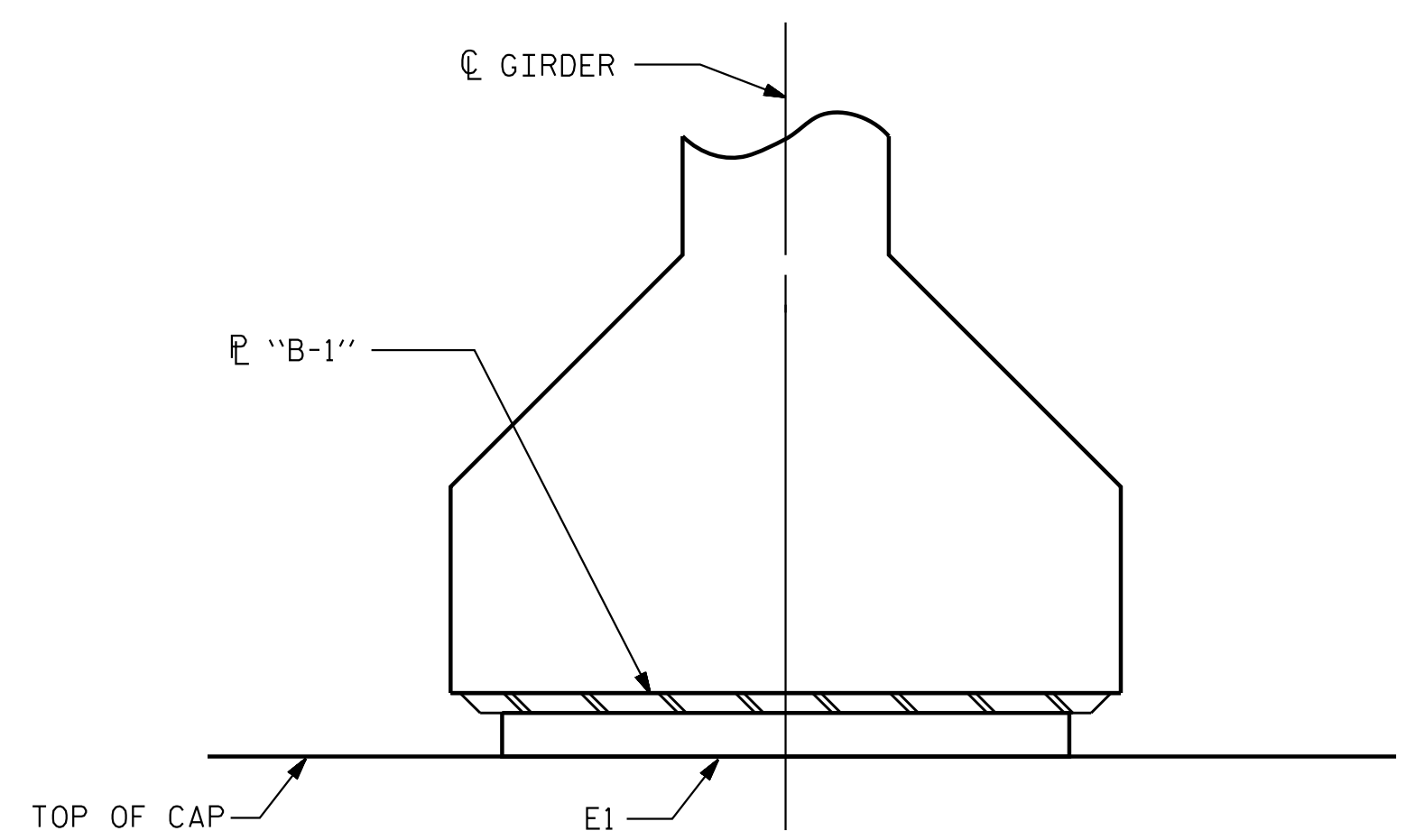


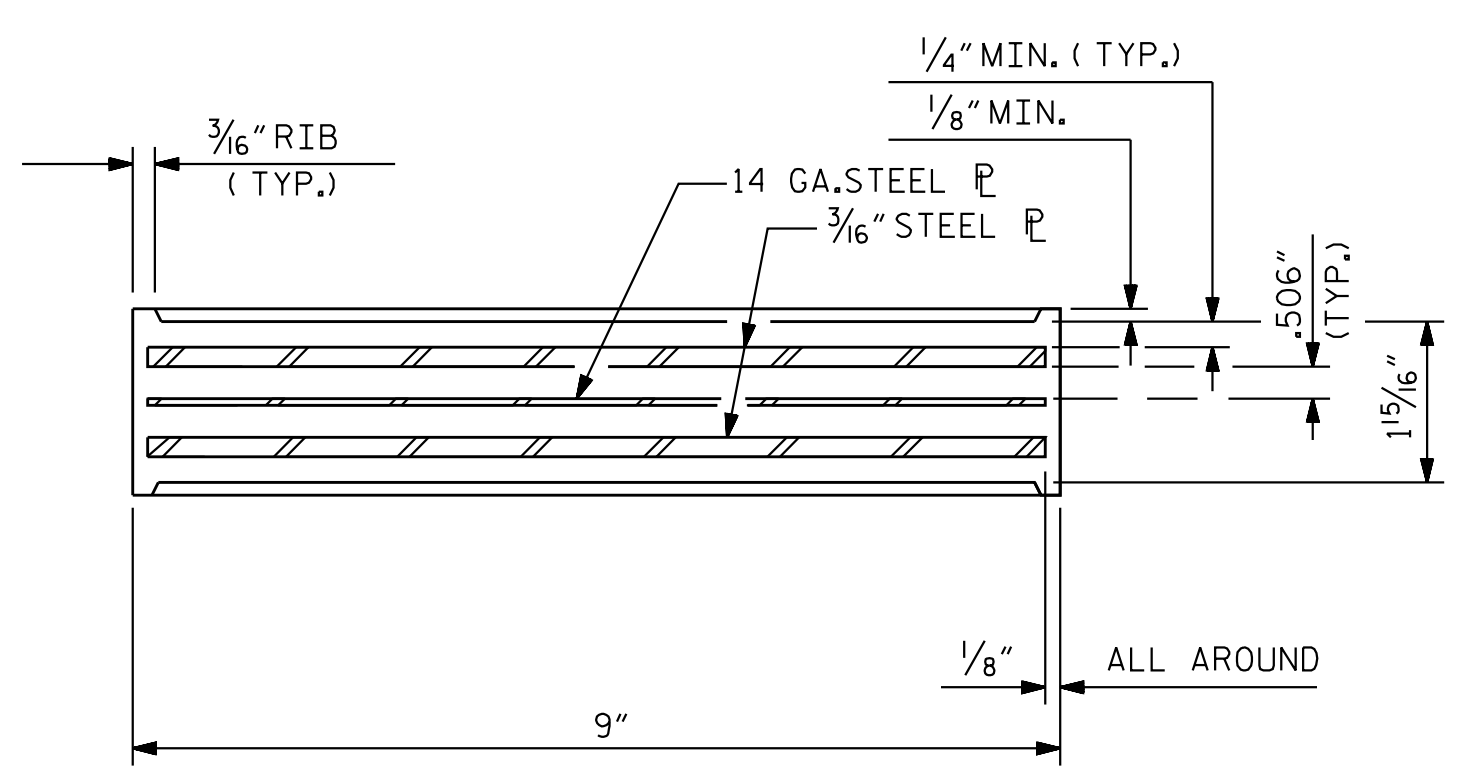
NOTES

THE ELASTOMER IN THE STEEL REINFORCED BEARINGS SHALL HAVE A SHEAR MODULUS OF 0.160 KSI, IN ACCORDANCE WITH AASHTO M251.

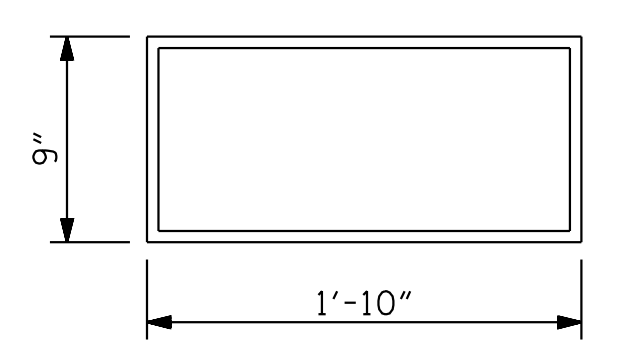
FOR STEEL REINFORCED ELASTOMERIC BEARINGS, SEE SPECIAL PROVISIONS.



SECTION E-E



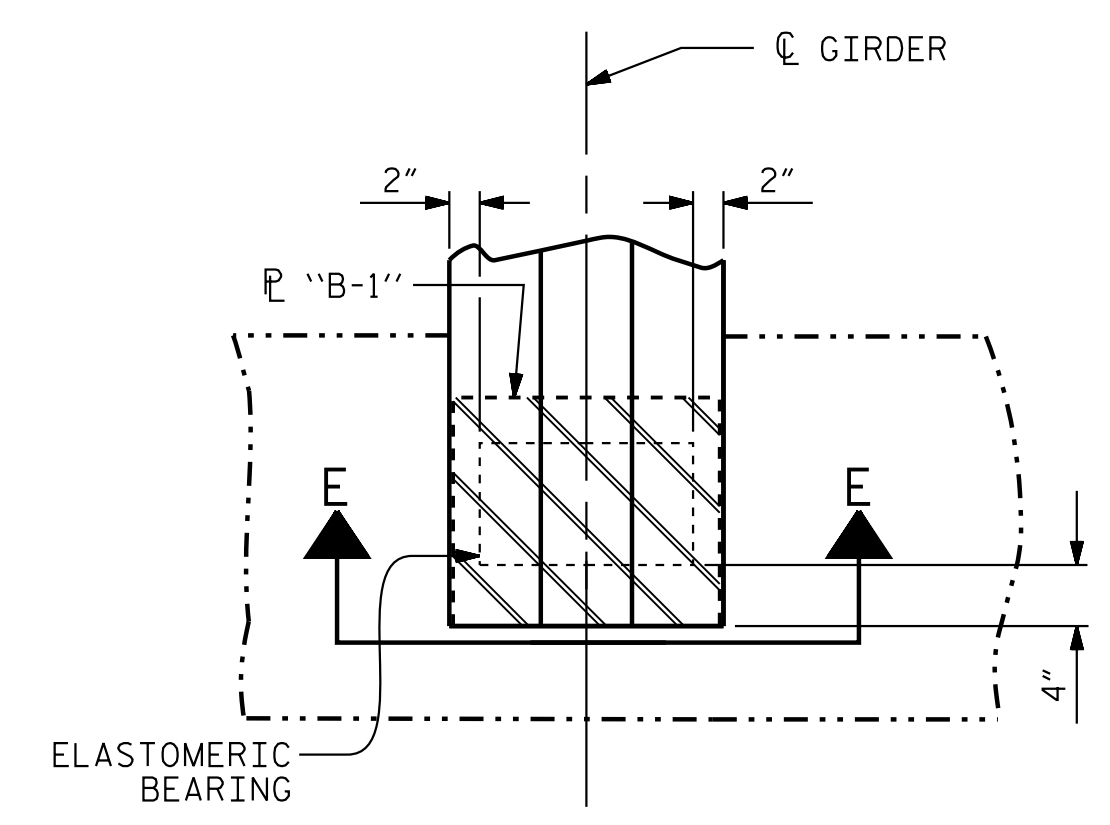
TYPICAL SECTION OF ELASTOMERIC BEARINGS



E1 (8 REQ'D)

PLAN VIEW OF ELASTOMERIC BEARING

TYPE IV



TYPICAL PLAN

SHOWING BOTTOM FLANGE @ INTEGRAL END BENT

MAXIMUM ALLOWABLE SERVICE LOADS	
D.L.+L.L. (NO IMPACT)	
TYPE IV	225 k

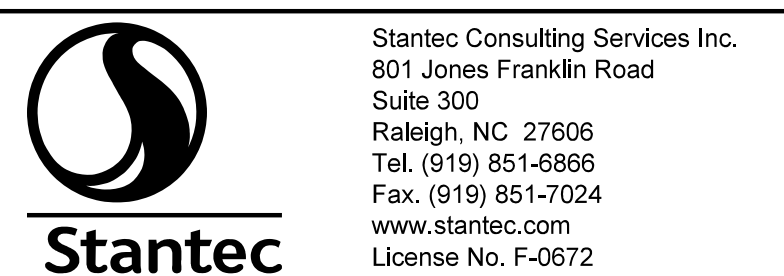
PROJECT NO. R-2707D
 CLEVELAND COUNTY
 STATION: 810+00.00 -L-



STATE OF NORTH CAROLINA
 DEPARTMENT OF TRANSPORTATION
 RALEIGH
ELASTOMERIC BEARING DETAILS
 PRESTRESSED CONCRETE GIRDER SUPERSTRUCTURE
 (RL)

REVISIONS						SHEET NO.
NO.	BY:	DATE:	NO.	BY:	DATE:	S9-15
1			3			TOTAL SHEETS
2			4			30

DOCUMENT NOT CONSIDERED FINAL UNLESS ALL SIGNATURES COMPLETED



DRAWN BY : N. D'AIUTO DATE : 04/23/18
 CHECKED BY : J.T. KELVINGTON DATE : 12/09/22
 DESIGN ENGINEER OF RECORD : J.T. KELVINGTON DATE : 04/21/23

jHagenbush

4/21/2023

c:\pvt\working\dmst7003\N2707D-SMU-BG01-2200B9.dgn