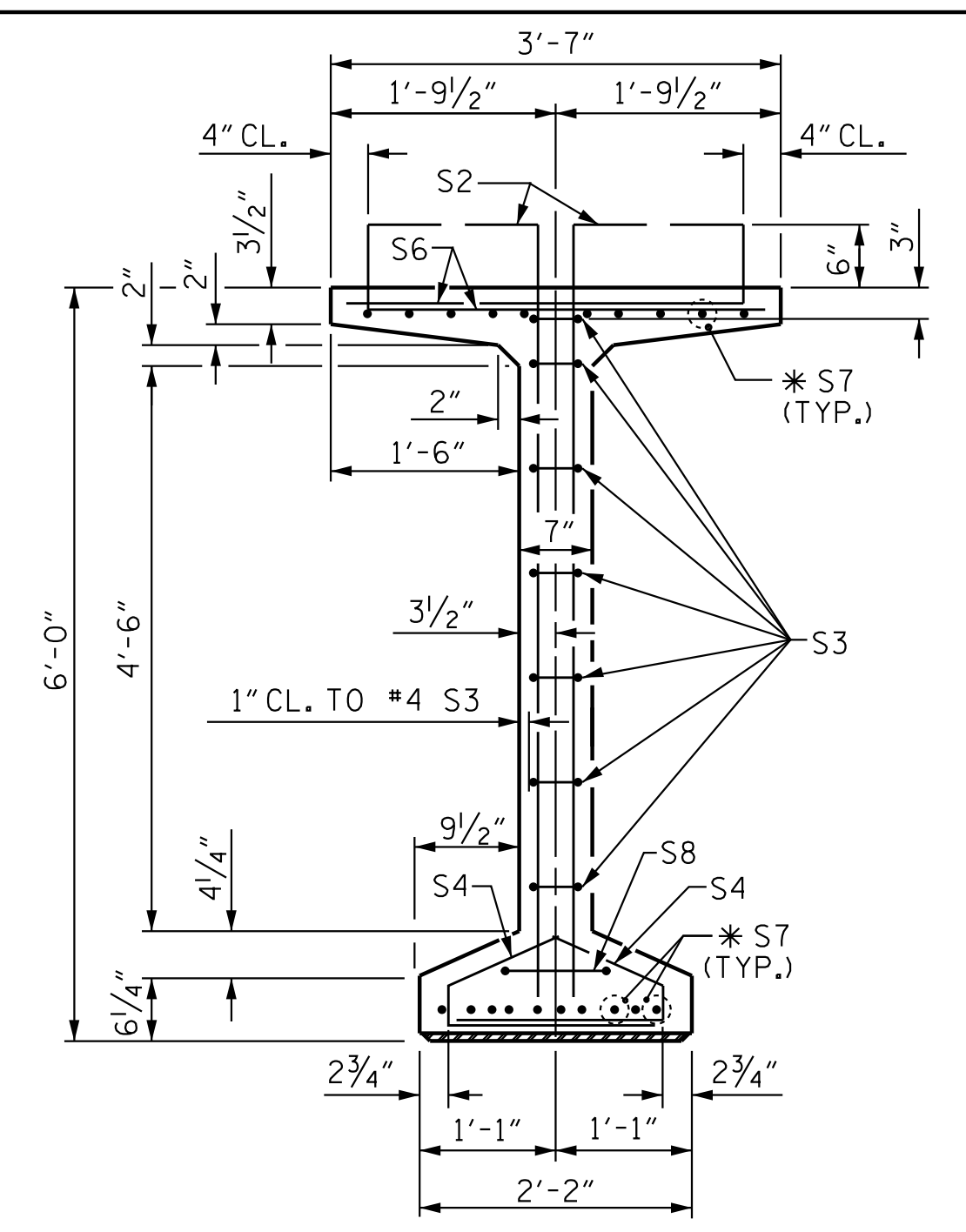
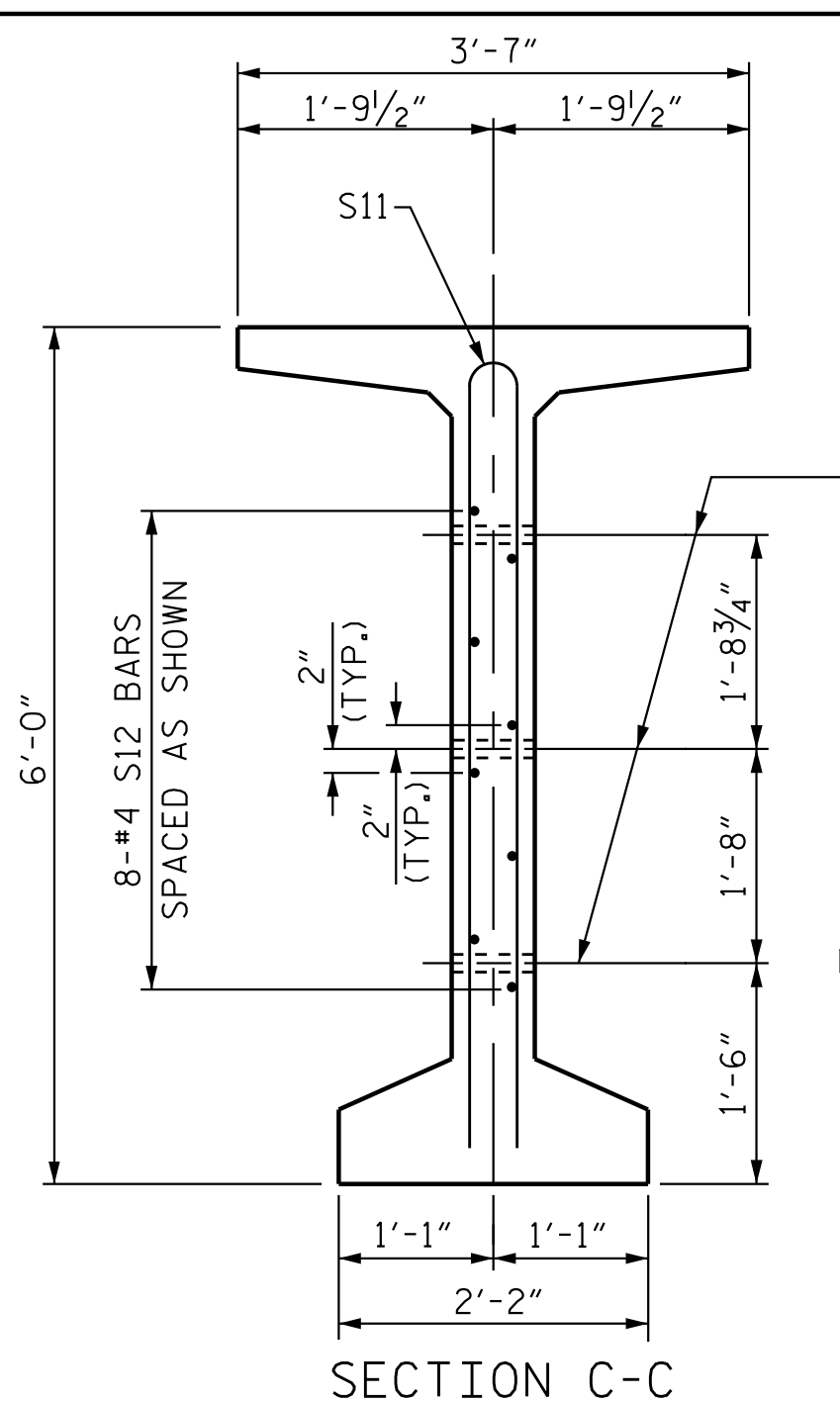


SHOWING INTERMEDIATE STEEL DIAPHRAGM REINFORCING STEEL FOR GIRDERS A1-A4.

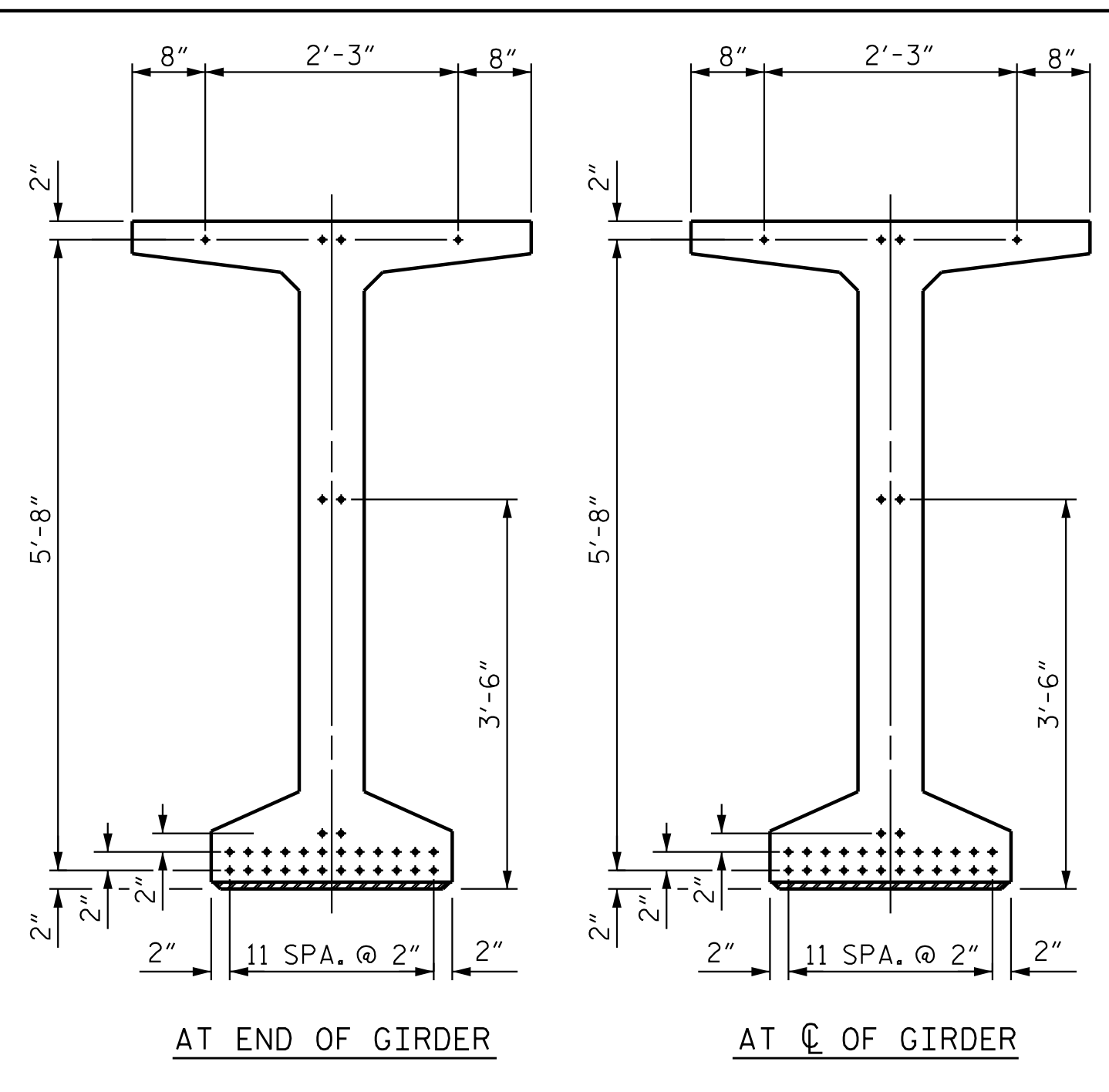


SECTION A-A

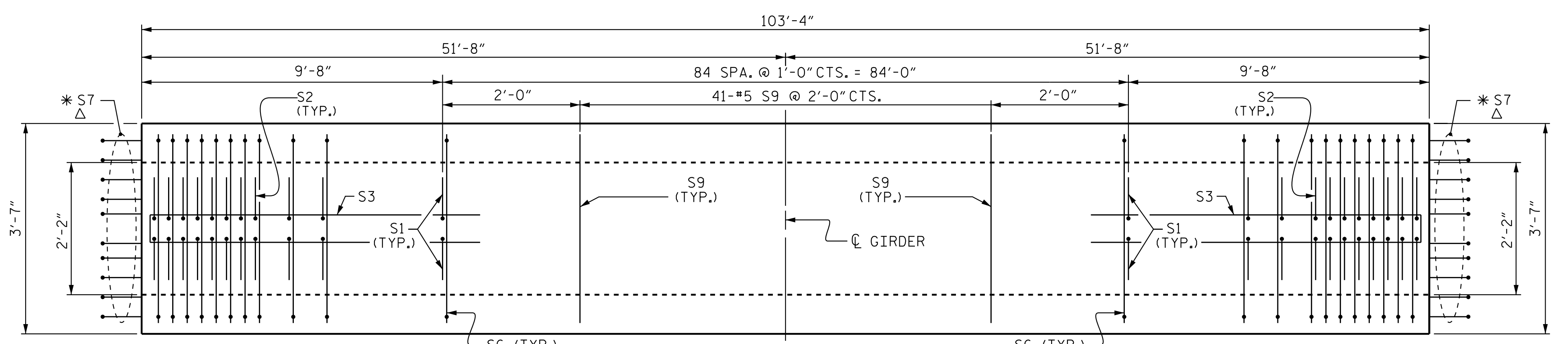


SECTION C-C
(S1, S6 AND S9 BARS NOT SHOWN)

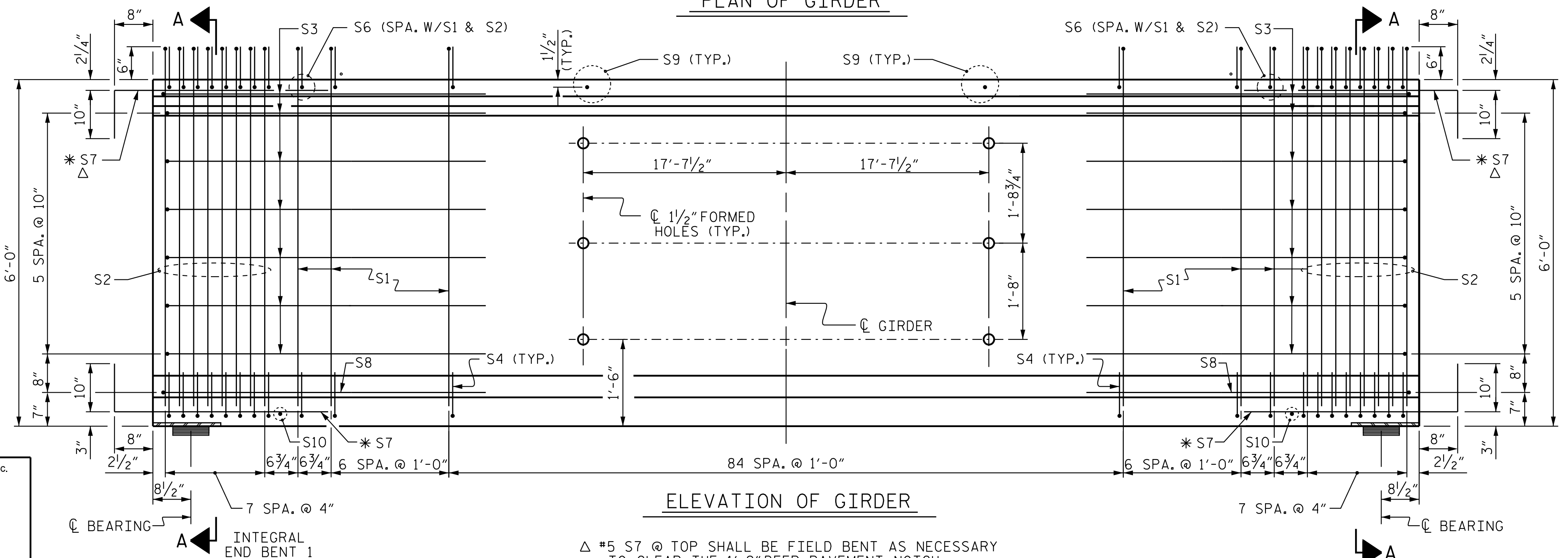
DEBONDING LEGEND
 • FULLY BONDED STRANDS
 * FOR S7 BARS, SEE DETAIL "C" OF MODIFIED 72" PRESTRESSED CONCRETE GIRDER DETAILS SHEET



0.6" Ø LOW RELAXATION STRAND LAYOUT



PLAN OF GIRDER



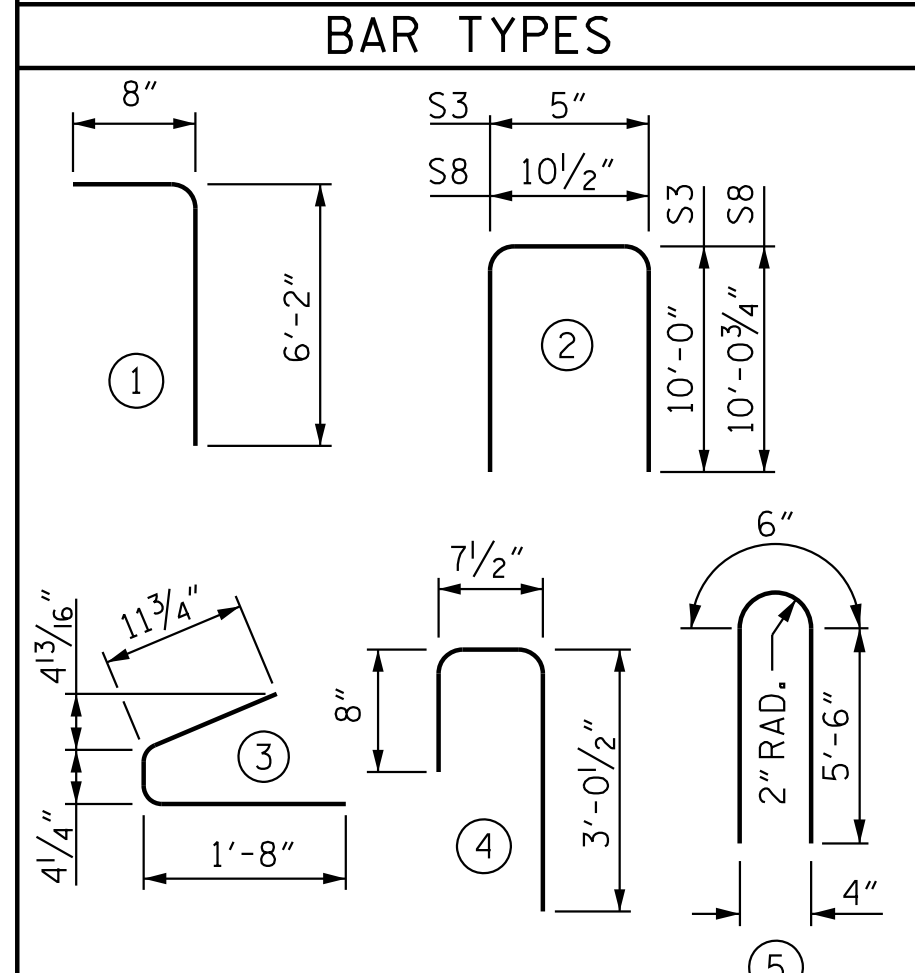
ELEVATION OF GIRDER

Δ #5 S7 @ TOP SHALL BE FIELD BENT AS NECESSARY TO CLEAR THE 1'-2" DEEP PAVEMENT NOTCH.

0.6" Ø L. R. GRADE 270 STRANDS		
AREA (SQUARE INCHES)	ULTIMATE STRENGTH (LBS. PER STRAND)	APPLIED PRESTRESS (LBS. PER STRAND)
0.217	58,600	43,950

REINFORCING STEEL FOR ONE GDR					
BAR	NUMBER	SIZE	TYPE	LENGTH	WEIGHT
S1	198	#4	1	6'-10"	904
S2	32	#6	1	6'-10"	328
S3	14	#4	2	20'-5"	191
S4	64	#4	3	3'-0"	128
S6	230	#4	4	4'-4"	666
*S7	40	#5	STR	3'-8"	153
S8	2	#5	2	21'-0"	44
S9	41	#5	STR	3'-3"	139
S10	2	#3	STR	1'-10"	1
S11	8	#5	5	11'-6"	96
S12	16	#4	STR	8'-0"	86

* NOTE: S7 BARS SHALL BE BENT BEFORE SHIPMENT. HEAT BENDING SHALL NOT BE ALLOWED.



ALL BAR DIMENSIONS ARE OUT-TO-OUT

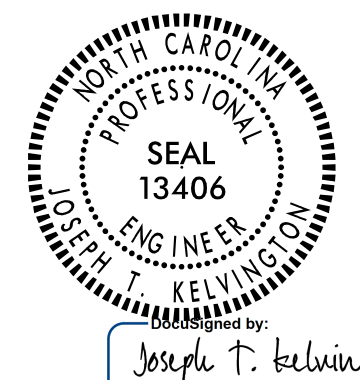
QUANTITIES FOR ONE GIRDER			
REINFORCING STEEL	8,000 PSI CONCRETE		0.6" Ø L.R. STRANDS
	LB.	C.Y.	No.
	2,736	22.1	32

GIRDERS REQUIRED		
NUMBER	LENGTH	TOTAL LENGTH
4	103'-4"	413'-4"

PROJECT NO. R-2707D
 CLEVELAND COUNTY
 STATION: 810+00.00 -L-

SHEET 1 OF 3

STATE OF NORTH CAROLINA
 DEPARTMENT OF TRANSPORTATION
 RALEIGH
 STANDARD
 MODIFIED
 72" PRESTRESSED
 CONCRETE GIRDER
 (RL)



REVISIONS						SHEET NO. S9-12
NO.	BY:	DATE:	NO.	BY:	DATE:	
1			3			TOTAL SHEETS 30
2			4			

DOCUMENT NOT CONSIDERED FINAL UNLESS ALL SIGNATURES COMPLETED

Stantec Consulting Services Inc.
 801 Jones Franklin Road
 Suite 300
 Raleigh, NC 27606
 Tel. (919) 851-6866
 Fax. (919) 851-7024
 www.stantec.com
 License No. F-0672

ASSEMBLED BY : N. DAIUTO	DATE : 05/01/18	MAA/GM	DESIGN
CHECKED BY : T.N. ENNIS	DATE : 08/24/18	MAA/TMG	ENGINEER
DRAWN BY : EEM 2/6/97	REV. 6/13	MAA/THC	OF RECORD
CHECKED BY : VAP 2/6/97	REV. 1/15		
	REV. 12/17		
			OF RECORD: J.T. KELVINGTON DATE : 04/21/23

jHagenbush

4/21/2023

c:\p\d\working\dmst7003\A\R2707D-SMU_L_PCC01-220089.dgn