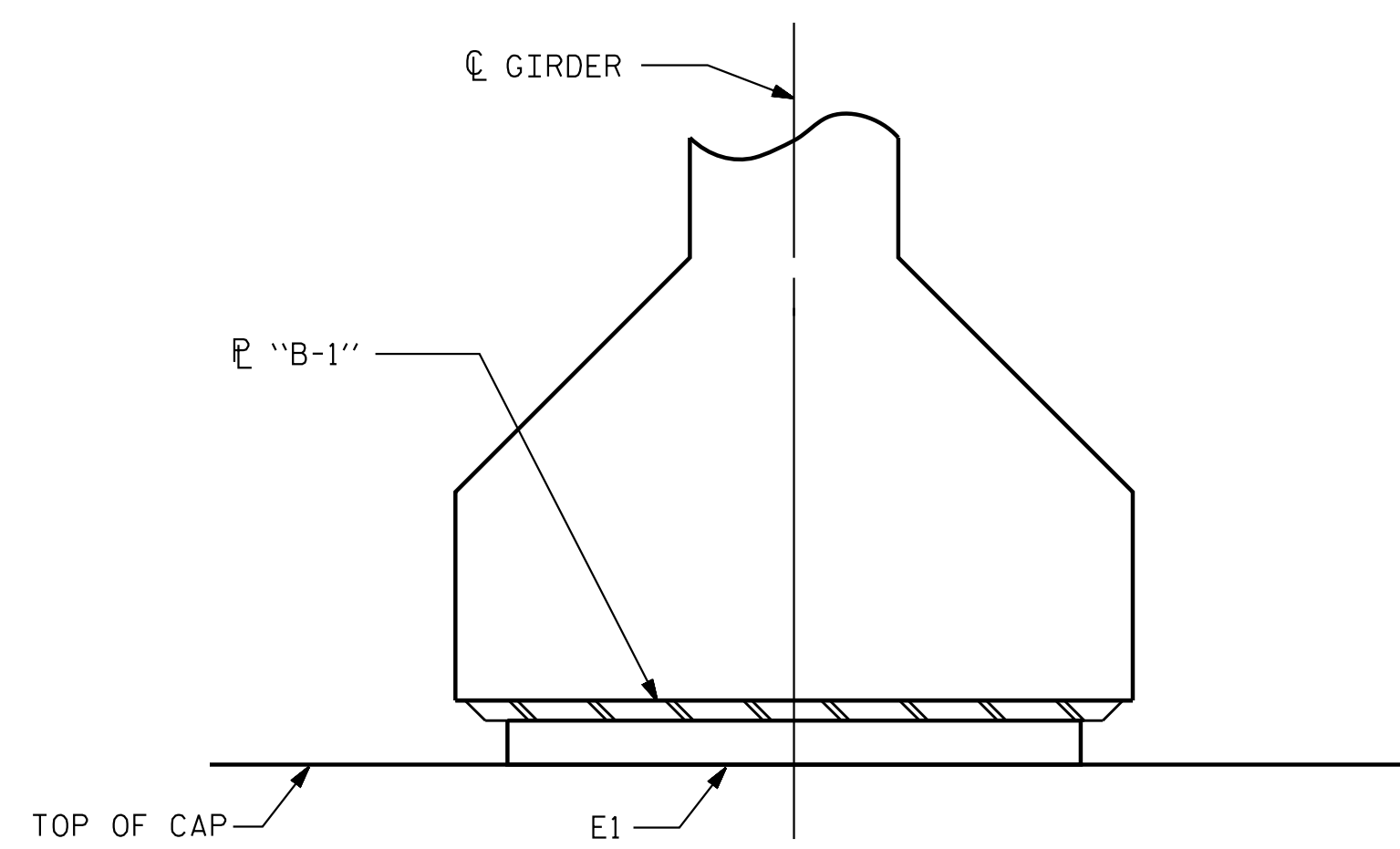


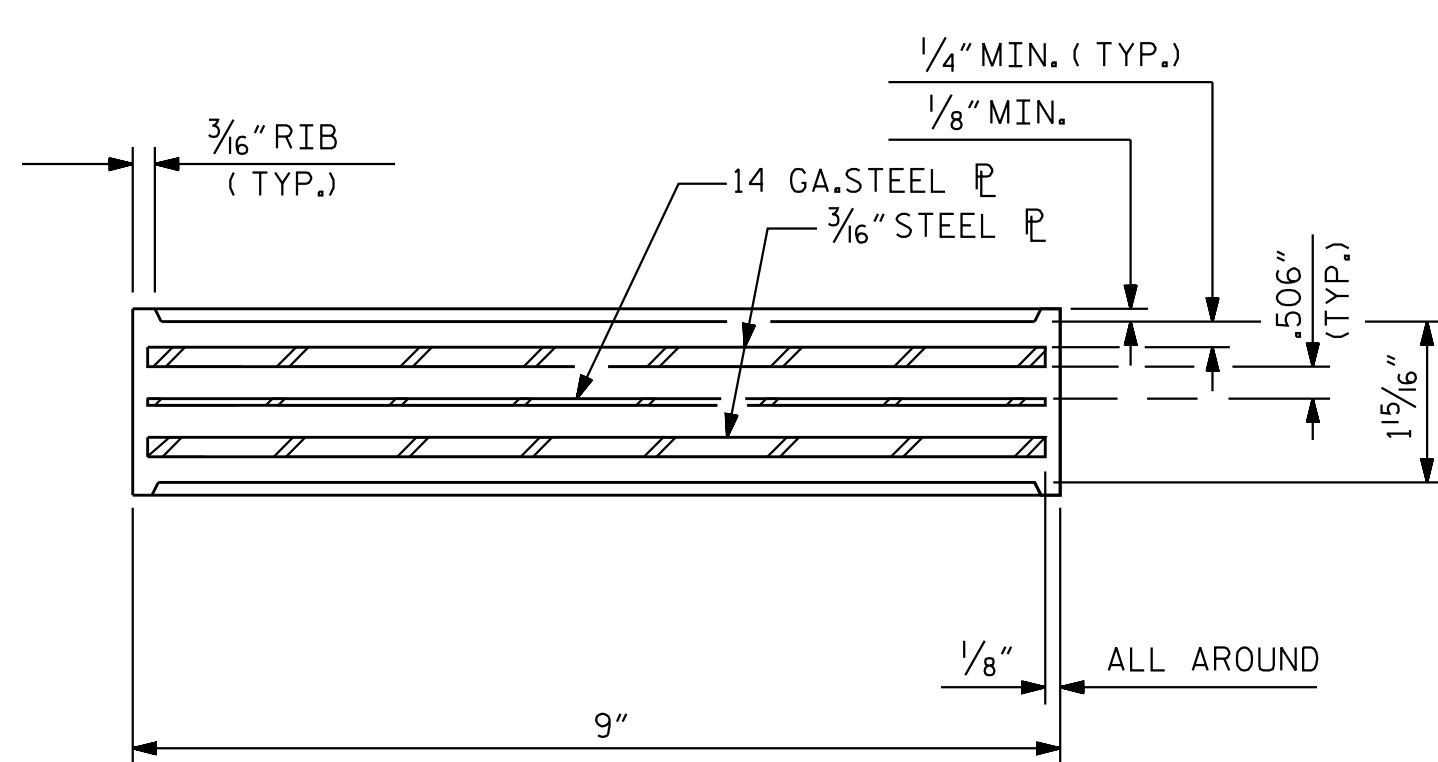
NOTES

THE ELASTOMER IN THE STEEL REINFORCED BEARINGS SHALL HAVE A SHEAR MODULUS OF 0.160 KSI, IN ACCORDANCE WITH AASHTO M251.

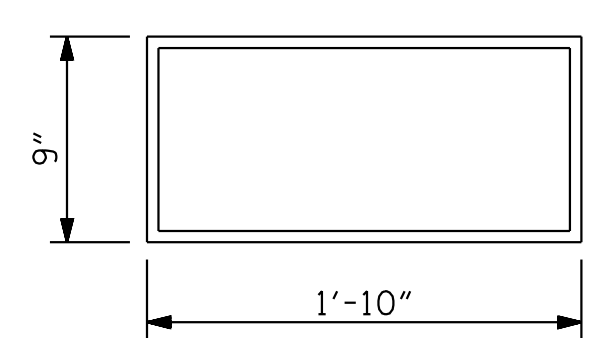
FOR STEEL REINFORCED ELASTOMERIC BEARINGS, SEE SPECIAL PROVISIONS.



SECTION E-E



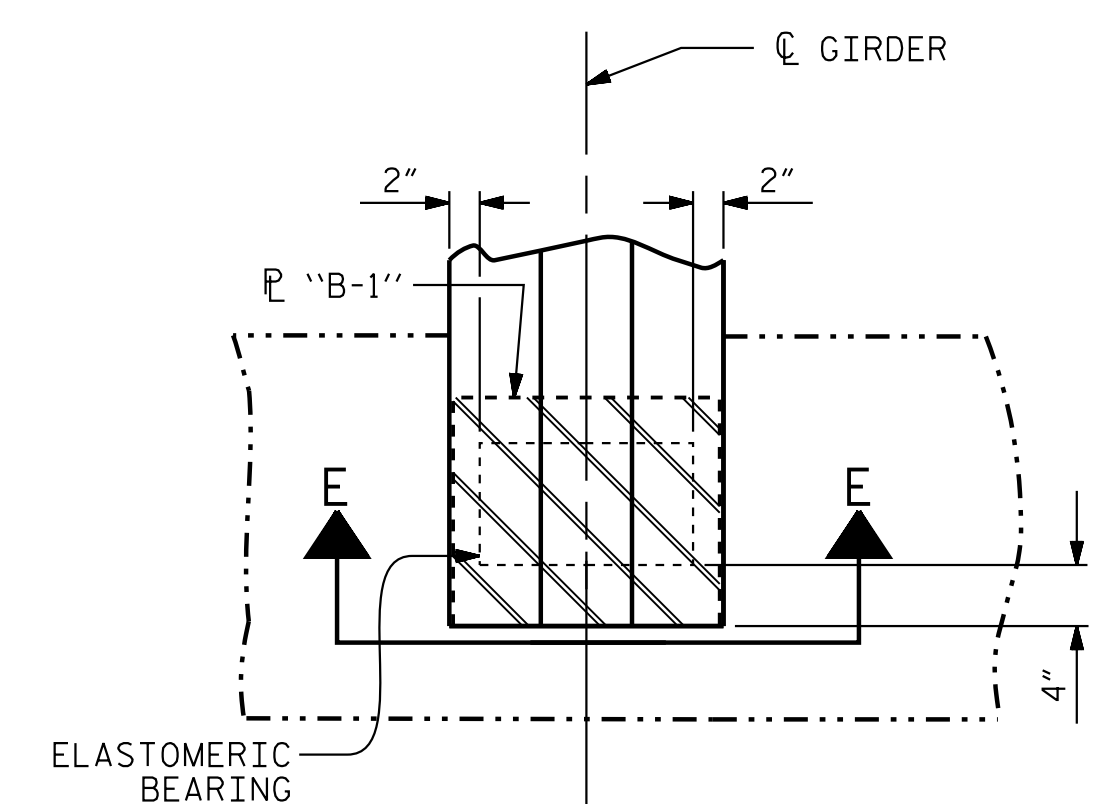
TYPICAL SECTION OF ELASTOMERIC BEARINGS



E1 (8 REQ'D)

PLAN VIEW OF ELASTOMERIC BEARING

TYPE IV

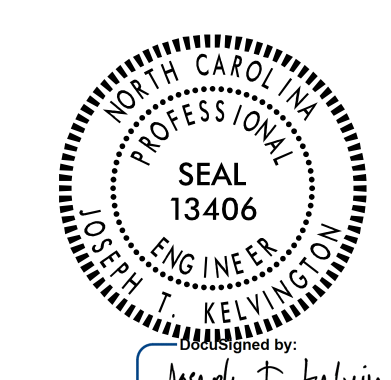


TYPICAL PLAN

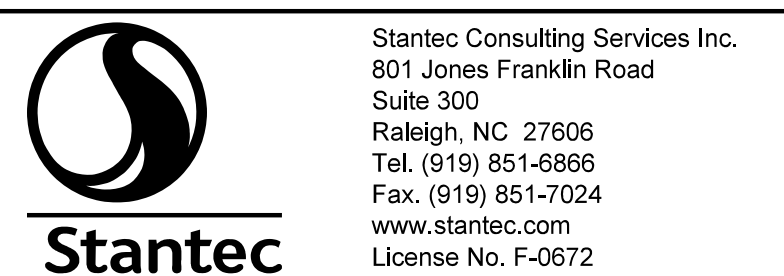
SHOWING BOTTOM FLANGE @ INTEGRAL END BENT

MAXIMUM ALLOWABLE SERVICE LOADS	
D.L.+L.L. (NO IMPACT)	
TYPE IV	225 k

PROJECT NO. R-2707D
 CLEVELAND COUNTY
 STATION: 810+00.00 -L-



STATE OF NORTH CAROLINA
 DEPARTMENT OF TRANSPORTATION
 RALEIGH
ELASTOMERIC BEARING DETAILS
 PRESTRESSED CONCRETE GIRDER SUPERSTRUCTURE
 (LL)



Stantec Consulting Services Inc.
 801 Jones Franklin Road
 Suite 300
 Raleigh, NC 27606
 Tel. (919) 851-6866
 Fax. (919) 851-7024
 www.stantec.com
 License No. F-0672

DRAWN BY : N. D'AIUTO DATE : 05/01/18
 CHECKED BY : J.T. KELVINGTON DATE : 12/05/22
 DESIGN ENGINEER OF RECORD : J.T. KELVINGTON DATE : 04/21/23

DOCUMENT NOT CONSIDERED FINAL UNLESS ALL SIGNATURES COMPLETED

REVISIONS						SHEET NO.
NO.	BY:	DATE:	NO.	BY:	DATE:	S8-15
1			3			TOTAL SHEETS
2			4			30

jHagenbush

4/21/2023

c:\pvt_wor\king\dmis69985\R2707D_SMLL_BCOI_220088.dgn