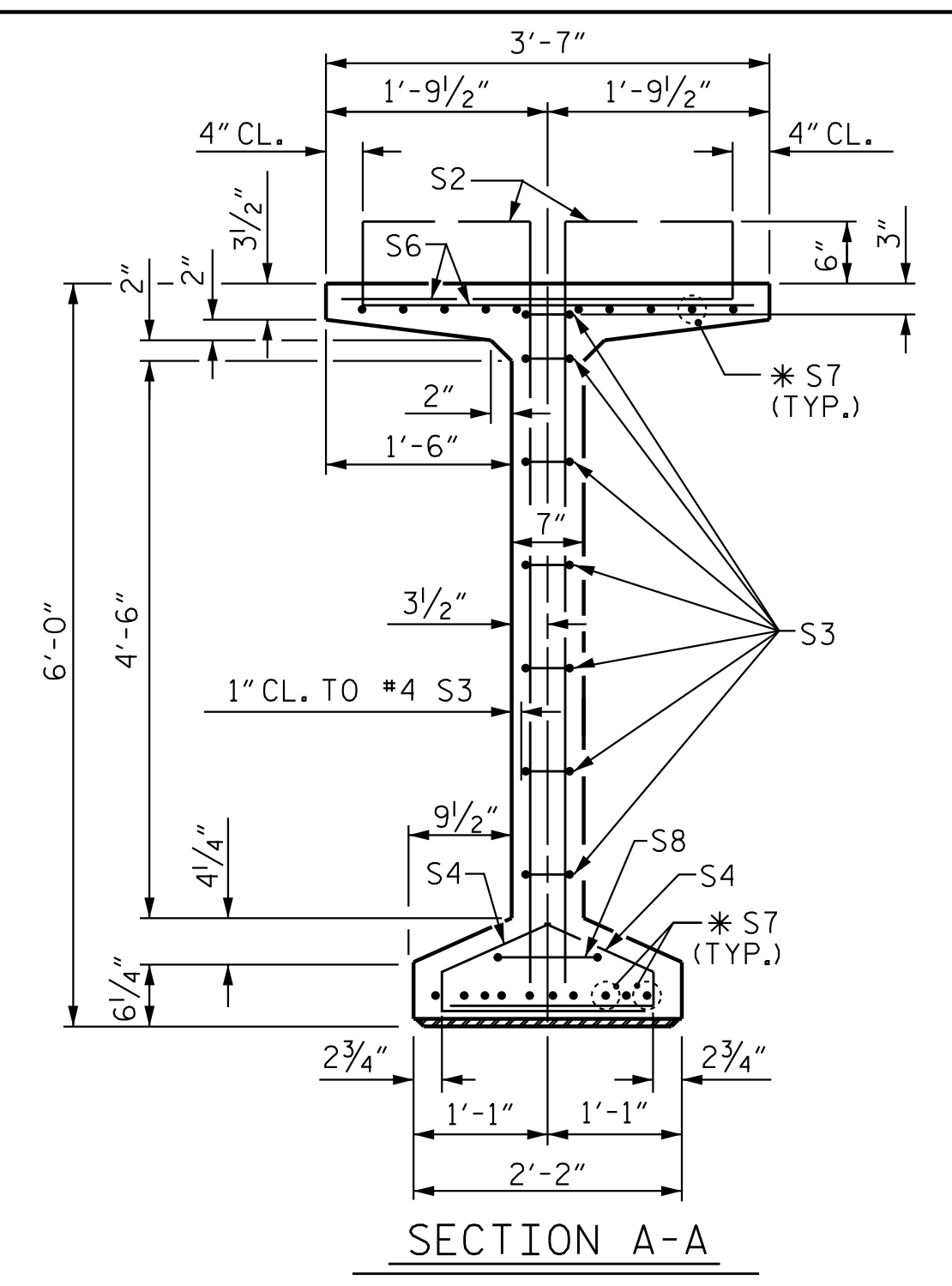
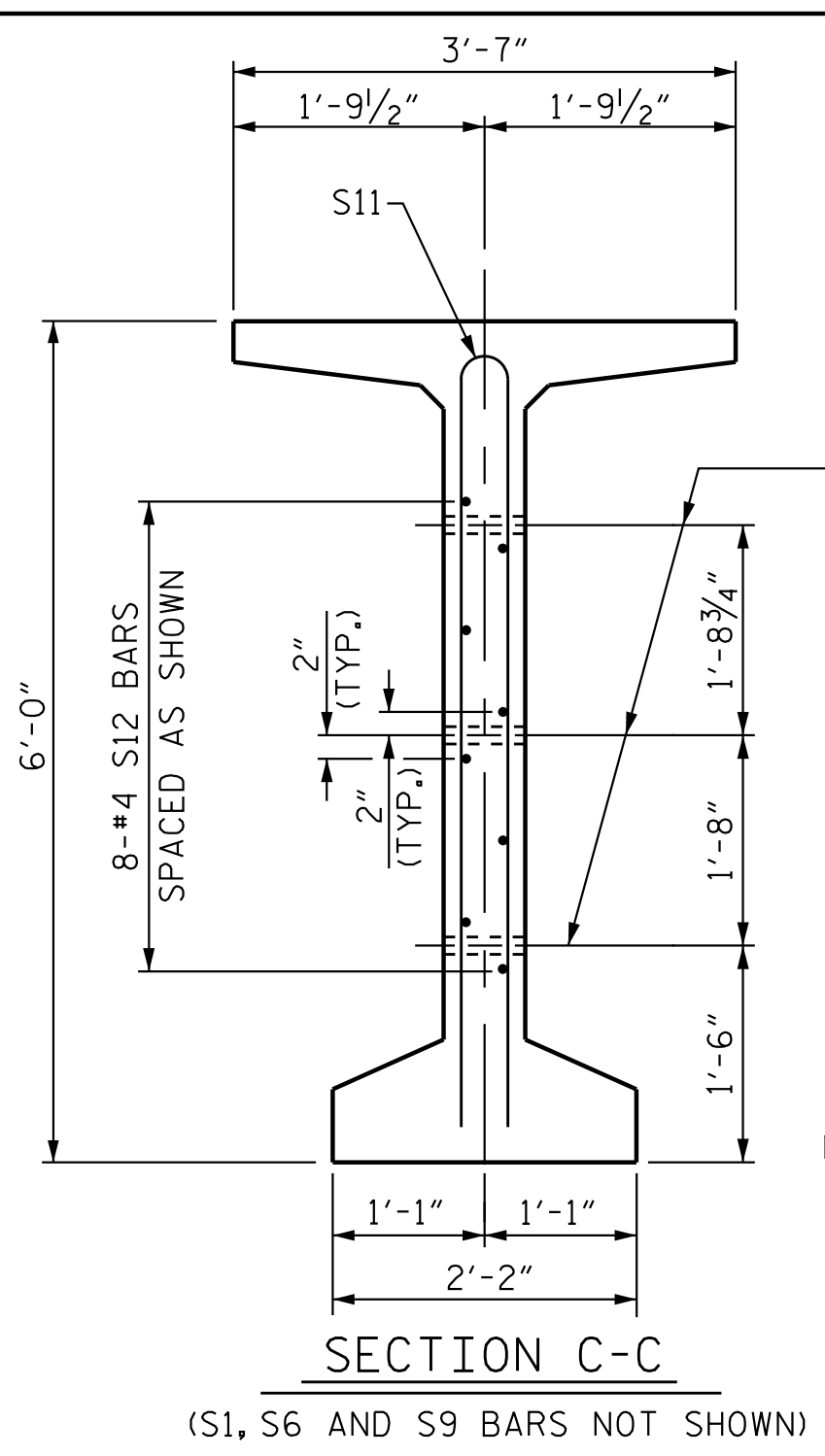


SHOWING INTERMEDIATE STEEL DIAPHRAGM REINFORCING STEEL FOR GIRDERS A1-A4.



SECTION A-A

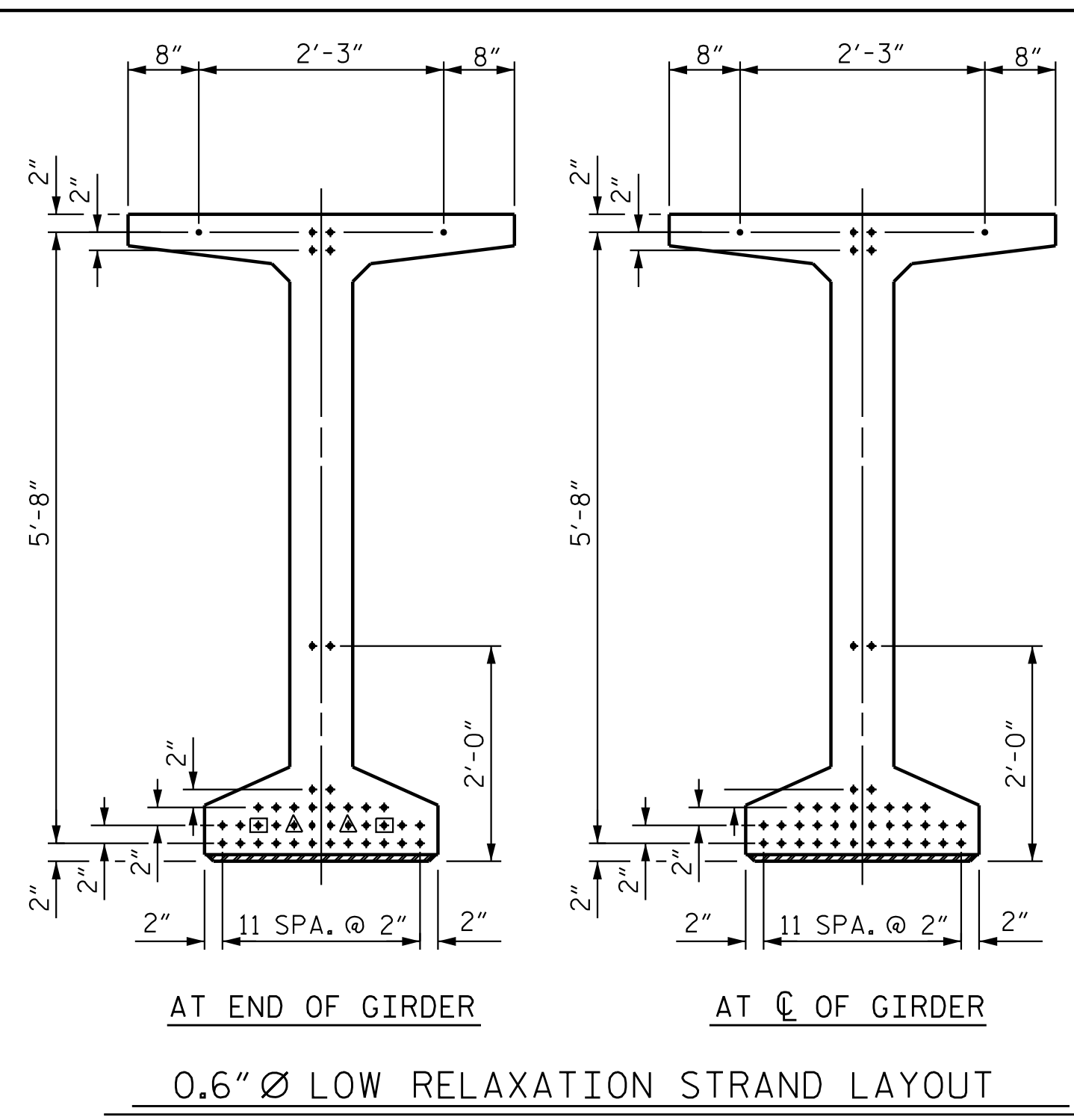


SECTION C-C  
(S1, S6 AND S9 BARS NOT SHOWN)

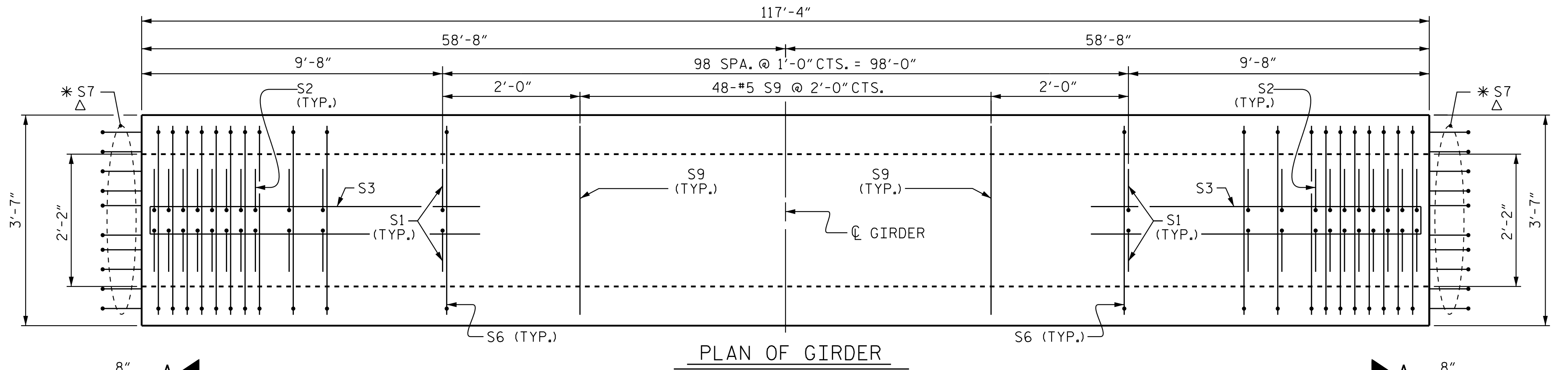
**DEBONDING LEGEND**

- FULLY BONDED STRANDS
- DEBOND STRAND 12'-0" FROM END OF GIRDER
- DEBOND STRAND 10'-0" FROM END OF GIRDER

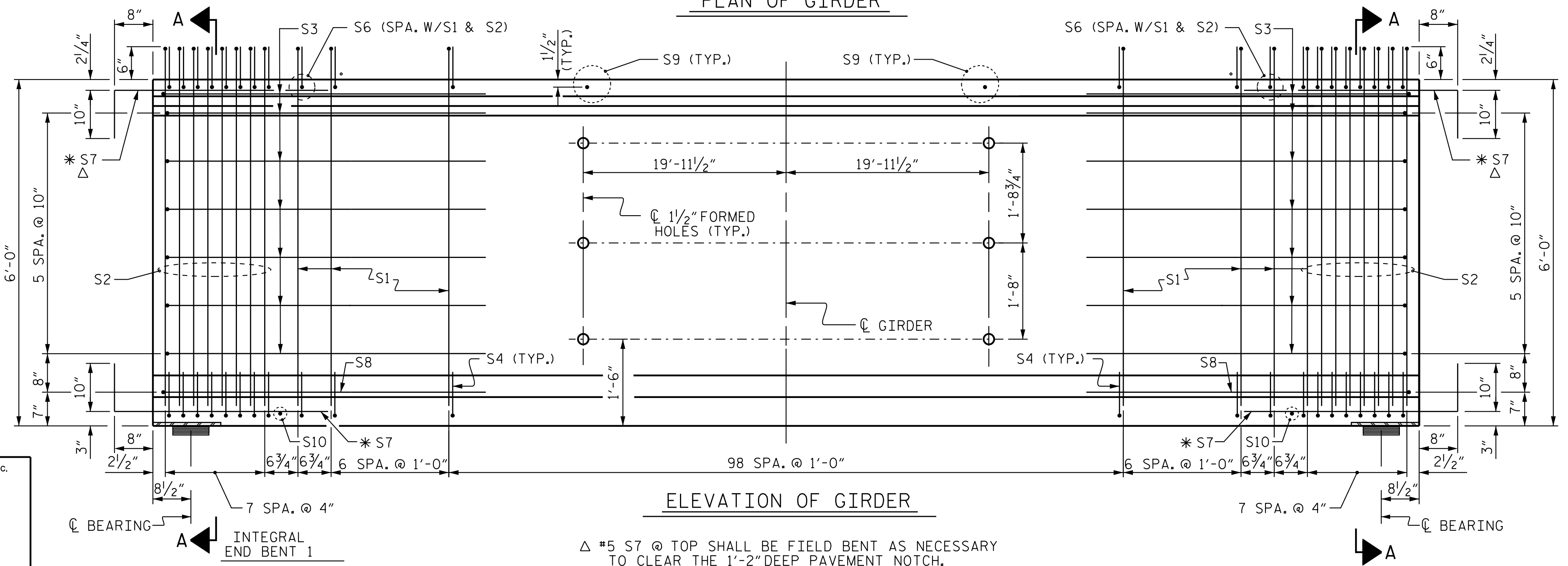
\* FOR S7 BARS, SEE DETAIL "C" OF MODIFIED 72" PRESTRESSED CONCRETE GIRDER DETAILS SHEET



0.6" Ø LOW RELAXATION STRAND LAYOUT



PLAN OF GIRDER



ELEVATION OF GIRDER

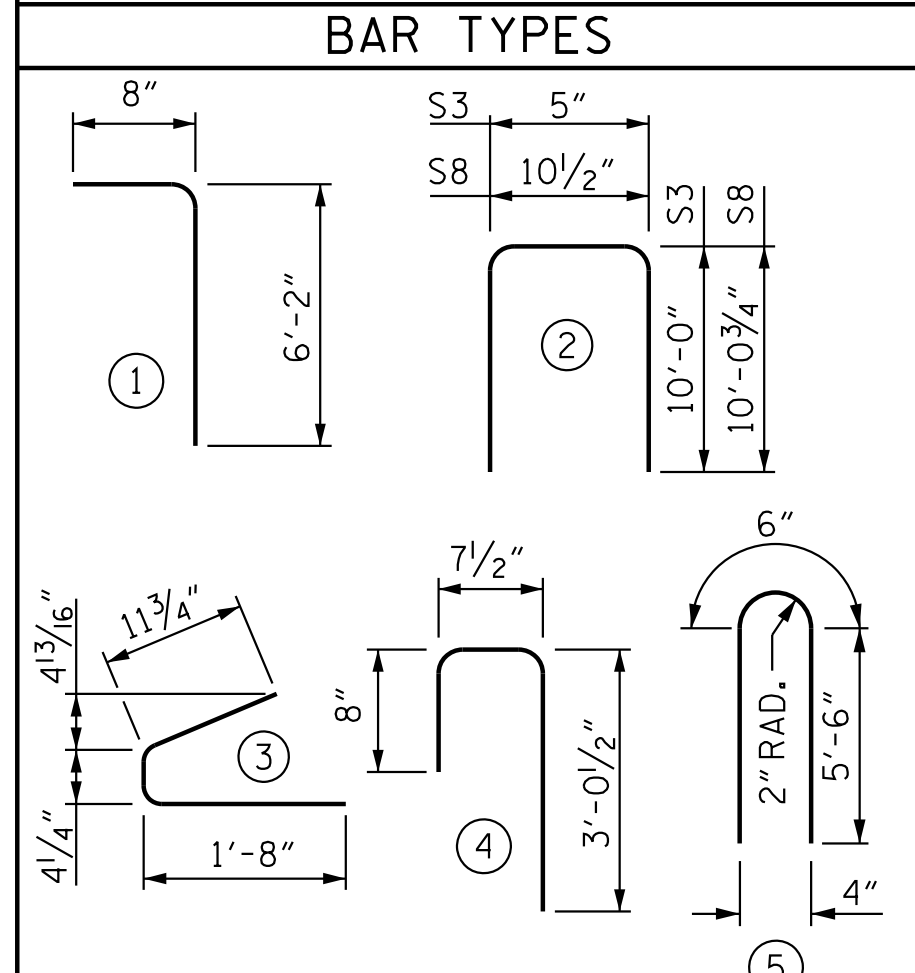
Δ #5 S7 @ TOP SHALL BE FIELD BENT AS NECESSARY TO CLEAR THE 1'-2" DEEP PAVEMENT NOTCH.

0.6" Ø L. R. GRADE 270 STRANDS		
AREA (SQUARE INCHES)	ULTIMATE STRENGTH (LBS. PER STRAND)	APPLIED PRESTRESS (LBS. PER STRAND)
0.217	58,600	43,950

REINFORCING STEEL FOR ONE GDR

BAR	NUMBER	SIZE	TYPE	LENGTH	WEIGHT
S1	226	#4	1	6'-10"	1,032
S2	32	#6	1	6'-10"	328
S3	14	#4	2	20'-5"	191
S4	64	#4	3	3'-0"	128
S6	258	#4	4	4'-4"	747
*S7	40	#5	STR	3'-8"	153
S8	2	#5	2	21'-0"	44
S9	48	#5	STR	3'-3"	163
S10	2	#3	STR	1'-10"	1
S11	8	#5	5	11'-6"	96
S12	16	#4	STR	8'-0"	86

\* NOTE: S7 BARS SHALL BE BENT BEFORE SHIPMENT. HEAT BENDING SHALL NOT BE ALLOWED.



ALL BAR DIMENSIONS ARE OUT-TO-OUT

QUANTITIES FOR ONE GIRDER		
REINFORCING STEEL	8,000 PSI CONCRETE	0.6" Ø L.R. STRANDS
LB.	C.Y.	No.
2,969	25.1	42

GIRDERS REQUIRED		
NUMBER	LENGTH	TOTAL LENGTH
4	117'-4"	469'-4"

PROJECT NO. R-2707D  
CLEVELAND COUNTY  
STATION: 810+00.00 -L-

SHEET 1 OF 3

STATE OF NORTH CAROLINA  
DEPARTMENT OF TRANSPORTATION  
RALEIGH  
STANDARD  
MODIFIED  
72" PRESTRESSED  
CONCRETE GIRDER  
(LL)



REVISIONS						SHEET NO.
NO.	BY:	DATE:	NO.	BY:	DATE:	SB-12
1			3			TOTAL SHEETS 30
2			4			

DOCUMENT NOT CONSIDERED FINAL UNLESS ALL SIGNATURES COMPLETED

STR. #8



ASSEMBLED BY : N. D'AIUTO	DATE : 05/01/18	MAA/GM	DESIGN
CHECKED BY : J.T. KELVINGTON	DATE : 12/05/22	MAA/TMG	ENGINEER
DRAWN BY : EEM 2/6/97	REV. 6/13	MAA/THC	OF RECORD
CHECKED BY : VAP 2/6/97	REV. 1/15		
	REV. 12/17		
			DATE : 04/21/23

jHagenbush

4/21/2023

c:\p\work\king\dms6985\R2707D\_SML\_PCC01-2200B8.dgn