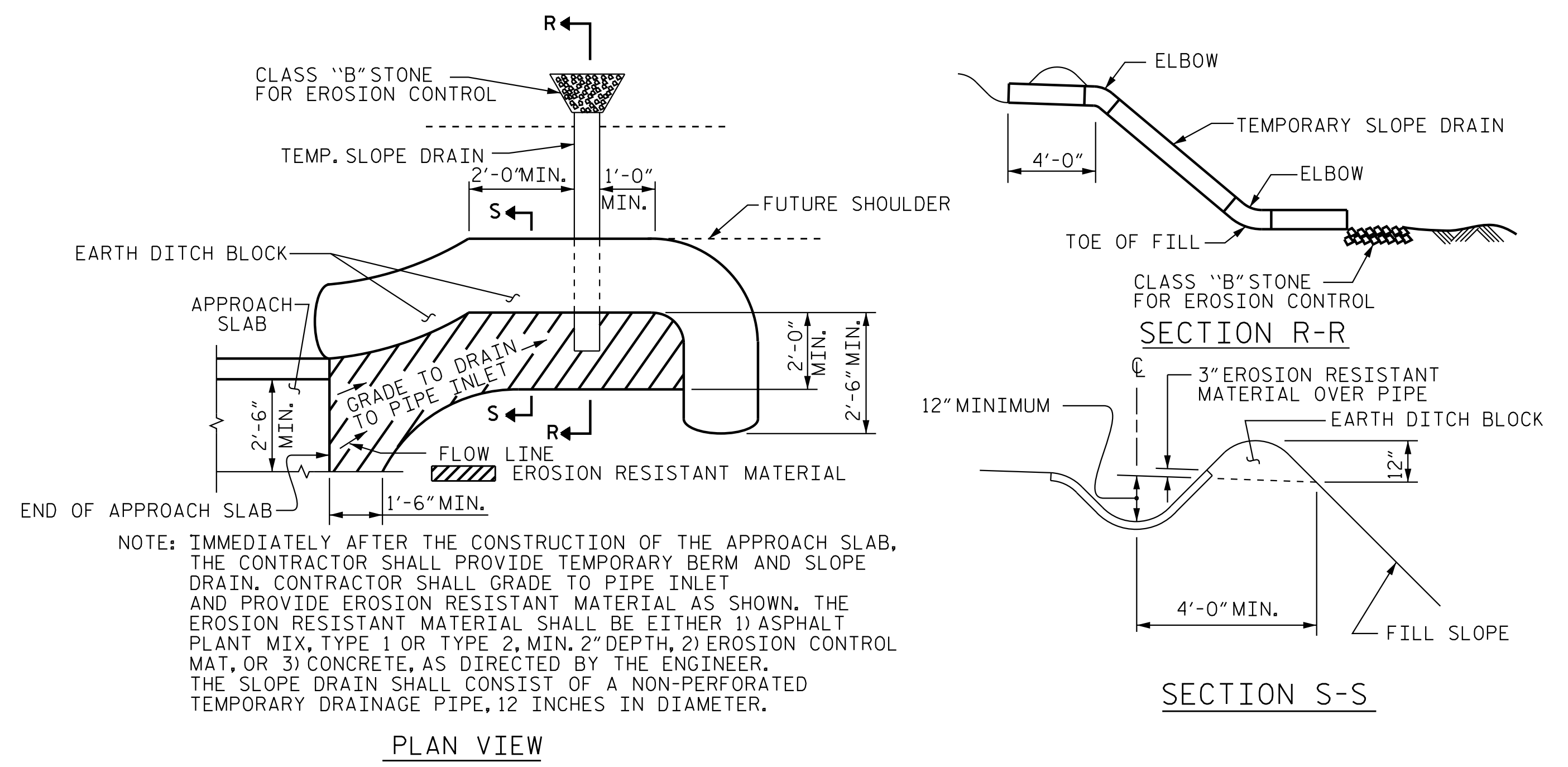
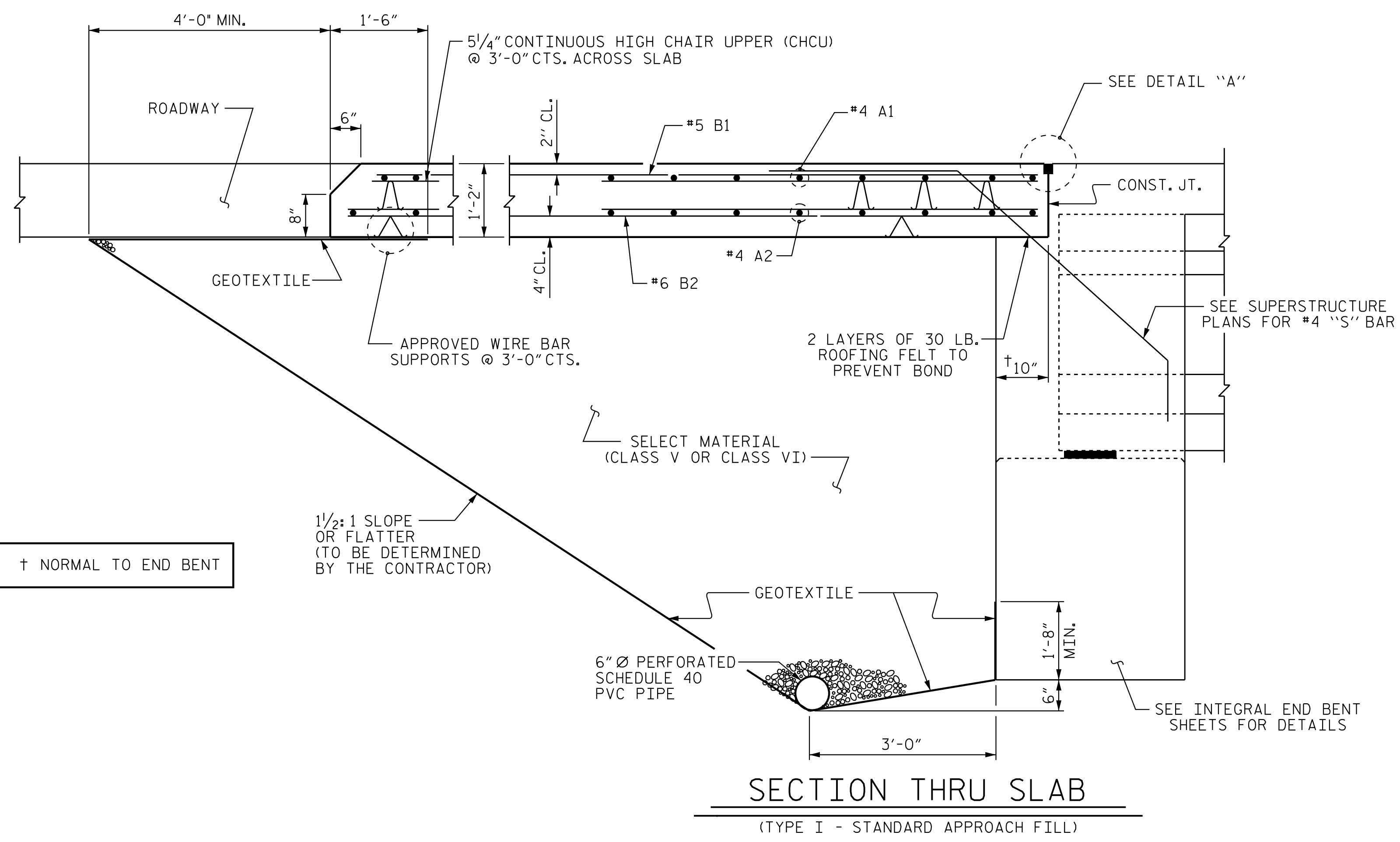


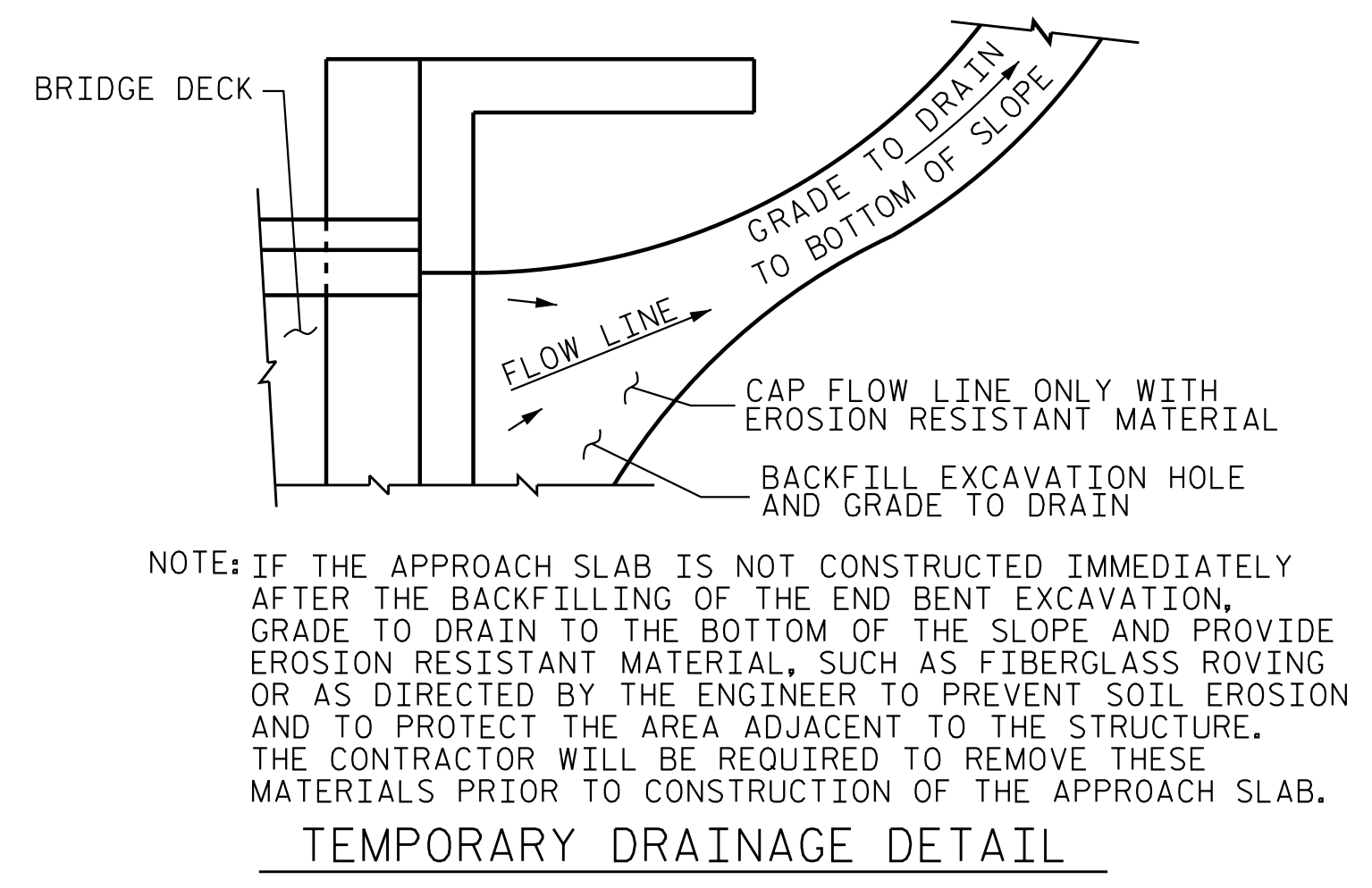
jHogenbush

5/10/2023

c:\pvt\working\dmis55490\R2707D\_SMLL\_AS02\_220101.dgn



**TEMPORARY BERM AND SLOPE DRAIN DETAILS**  
(TO BE USED WHEN SHOULDER BERM GUTTER IS REQUIRED)



PROJECT NO. R-2707D  
CLEVELAND COUNTY  
 STATION: 849+00.00 -L-

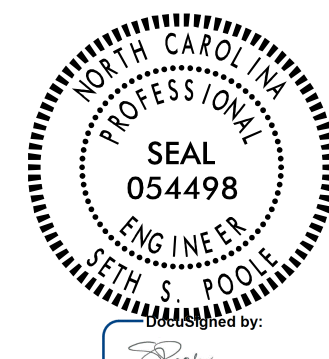
SHEET 2 OF 3

STATE OF NORTH CAROLINA  
 DEPARTMENT OF TRANSPORTATION  
 RALEIGH

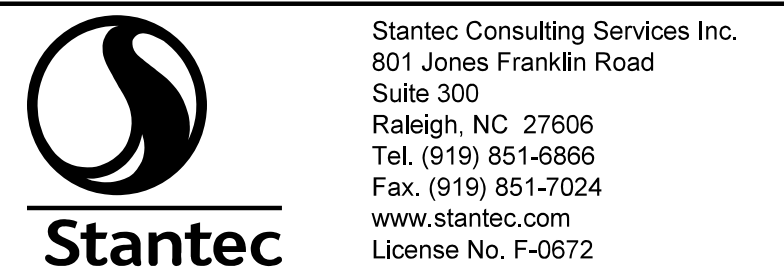
**BRIDGE APPROACH  
 SLAB DETAILS**

(RIGHT LANE)

REVISIONS						SHEET NO. S6-55
NO.	BY:	DATE:	NO.	BY:	DATE:	
1			3			TOTAL SHEETS 56
2			4			



DOCUMENT NOT CONSIDERED  
 FINAL UNLESS ALL  
 SIGNATURES COMPLETED



ASSEMBLED BY : J.B. GEILE DATE : 01/09/23  
 CHECKED BY : S.S. POOLE DATE : 01/25/23

DRAWN BY : TLA 10/05  
 CHECKED BY : GM 5/06

DESIGN ENGINEER OF RECORD: S.S. POOLE DATE : 05/10/23