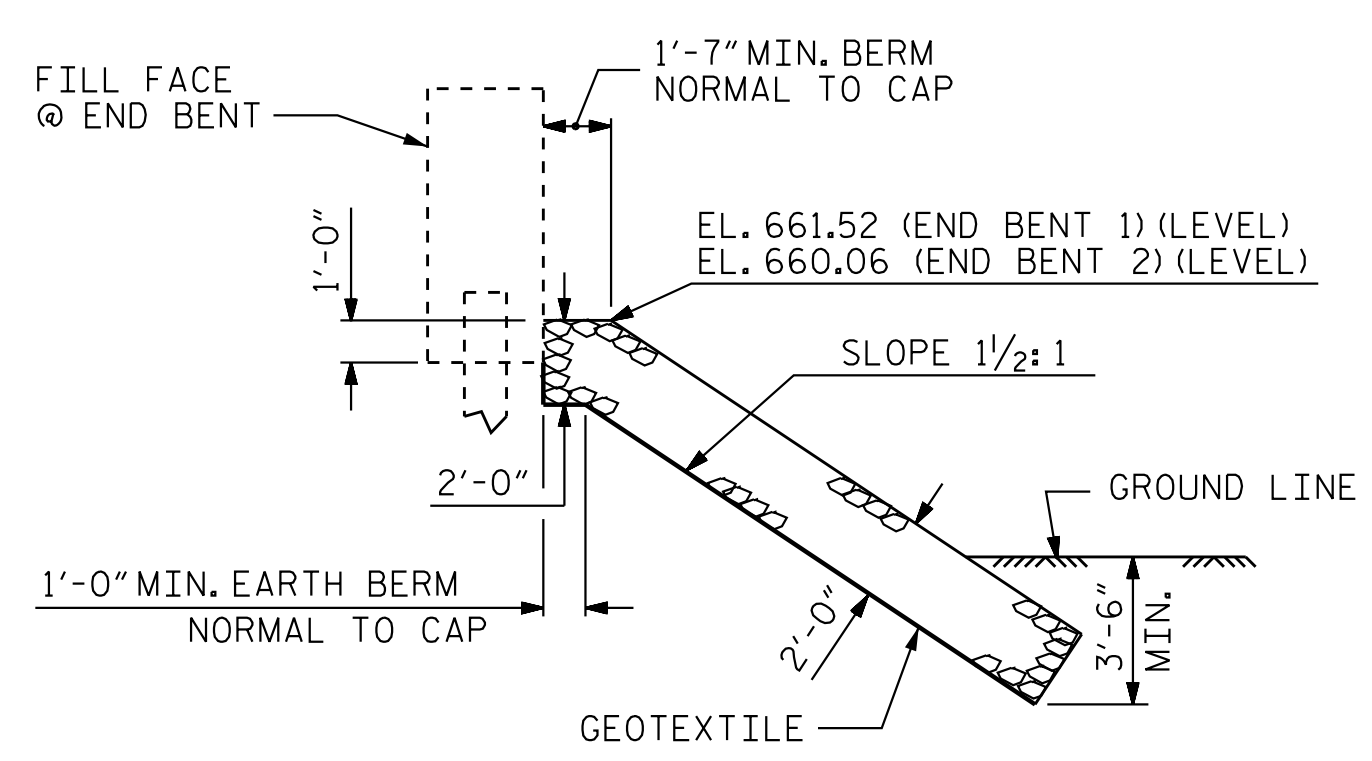


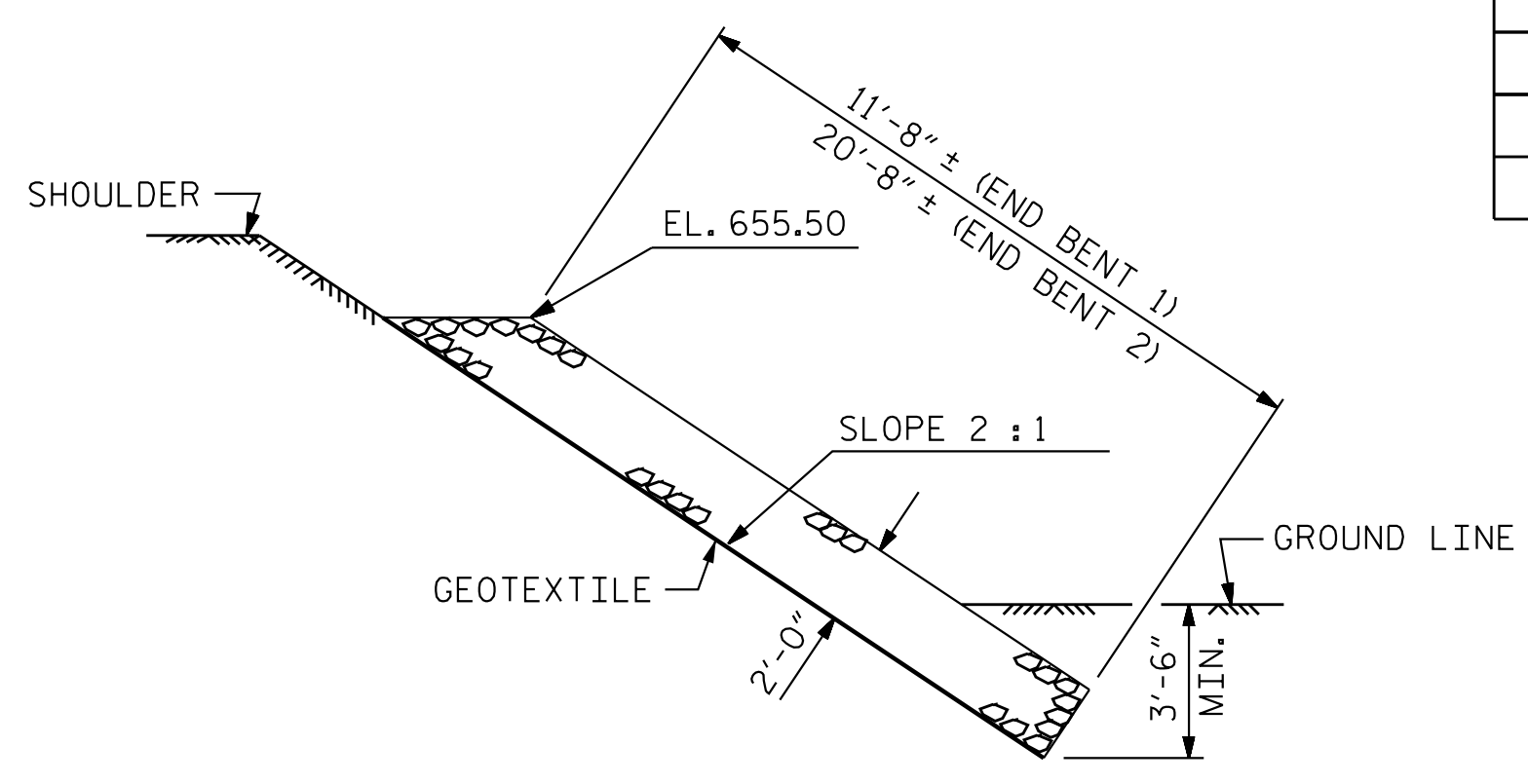
jHagenbush

5/10/2023

c:\pvt\working\dmis55490\R2707D_SML_RR01_220101.dgn



SECTION A-A



SECTION B-B

ESTIMATED QUANTITIES		
BRIDGE @ STA. 849+00.00 -L- (RT.)	RIp RAP CLASS II (2'-0" THICK)	GEOTEXTILE FOR DRAINAGE
	TONS	SQUARE YARDS
END BENT #1 - STAGE I	122	135
END BENT #1 - STAGE II	115	130
END BENT #1 - TOTAL	237	265
END BENT #2 - STAGE I	229	255
END BENT #2 - STAGE II	138	155
END BENT #2 - TOTAL	367	410
TOTAL	604	675

PROJECT NO. R-2707D
CLEVELAND COUNTY
 STATION: 849+00.00 -L-



Stantec Consulting Services Inc.
 801 Jones Franklin Road
 Suite 300
 Raleigh, NC 27606
 Tel. (919) 851-6866
 Fax. (919) 851-7024
 www.stantec.com
 License No. F-0672

DRAWN BY : J. B. GEILE DATE : 03/02/23 DESIGN ENGINEER
 CHECKED BY : S. S. POOLE DATE : 03/03/23 OF RECORD: S.S. POOLE DATE : 05/10/23



DOCUMENT NOT CONSIDERED
 FINAL UNLESS ALL
 SIGNATURES COMPLETED

STATE OF NORTH CAROLINA
 DEPARTMENT OF TRANSPORTATION
 RALEIGH
 SUBSTRUCTURE
 SLOPE PROTECTION
 RIP RAP

REVISIONS						TOTAL SHEETS
NO.	BY:	DATE:	NO.	BY:	DATE:	56
1			3			
2			4			

SHEET NO. S6-53