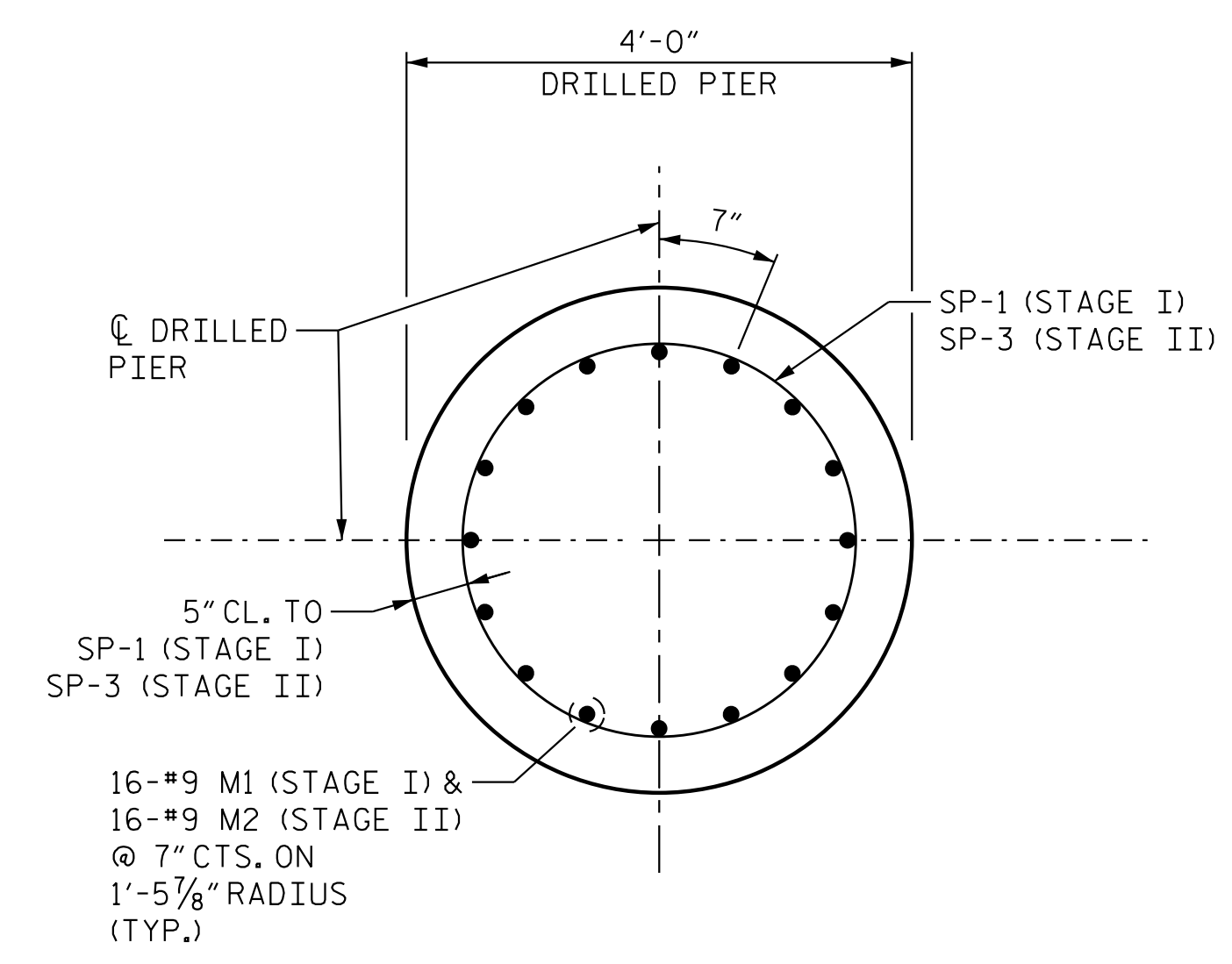
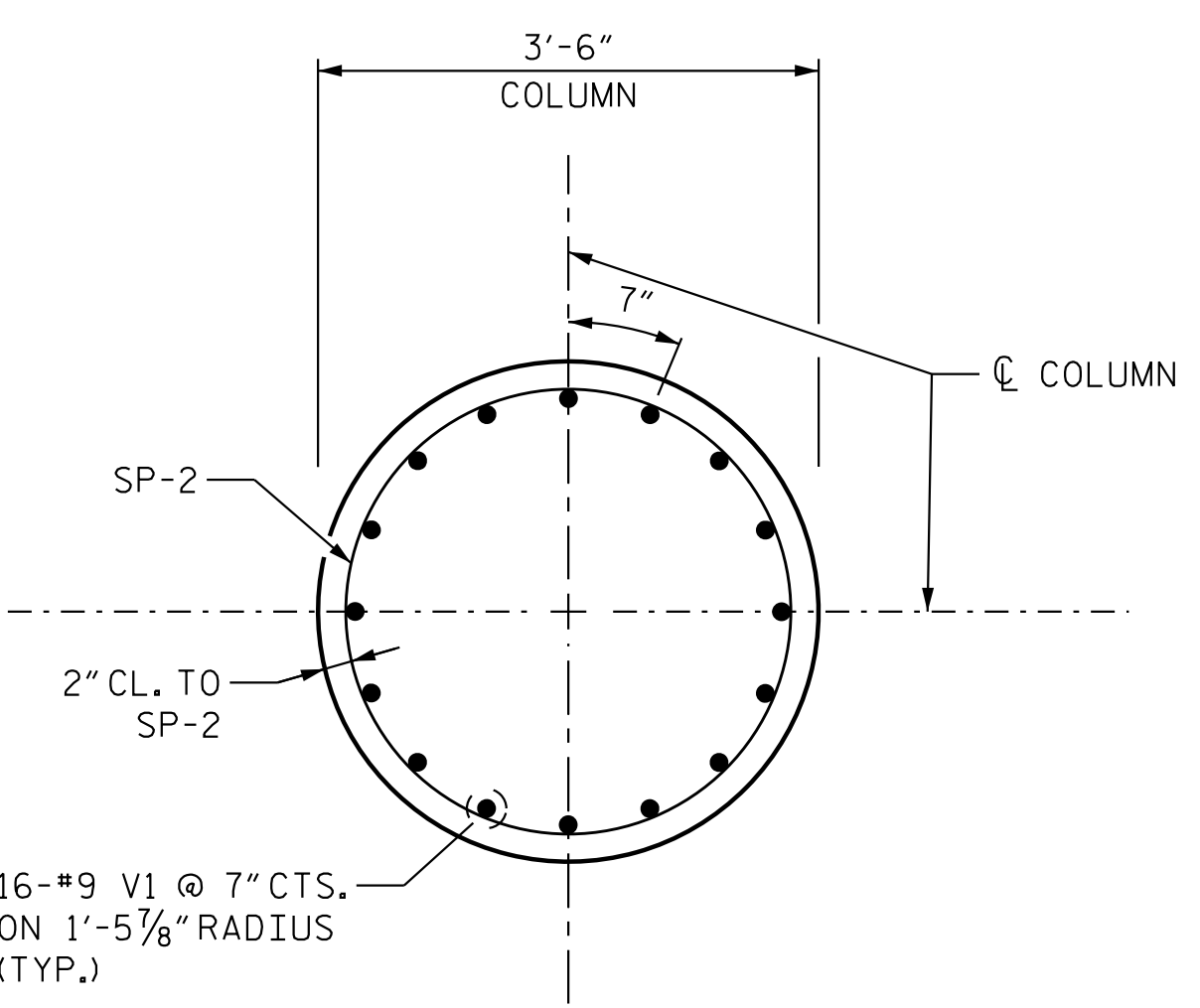


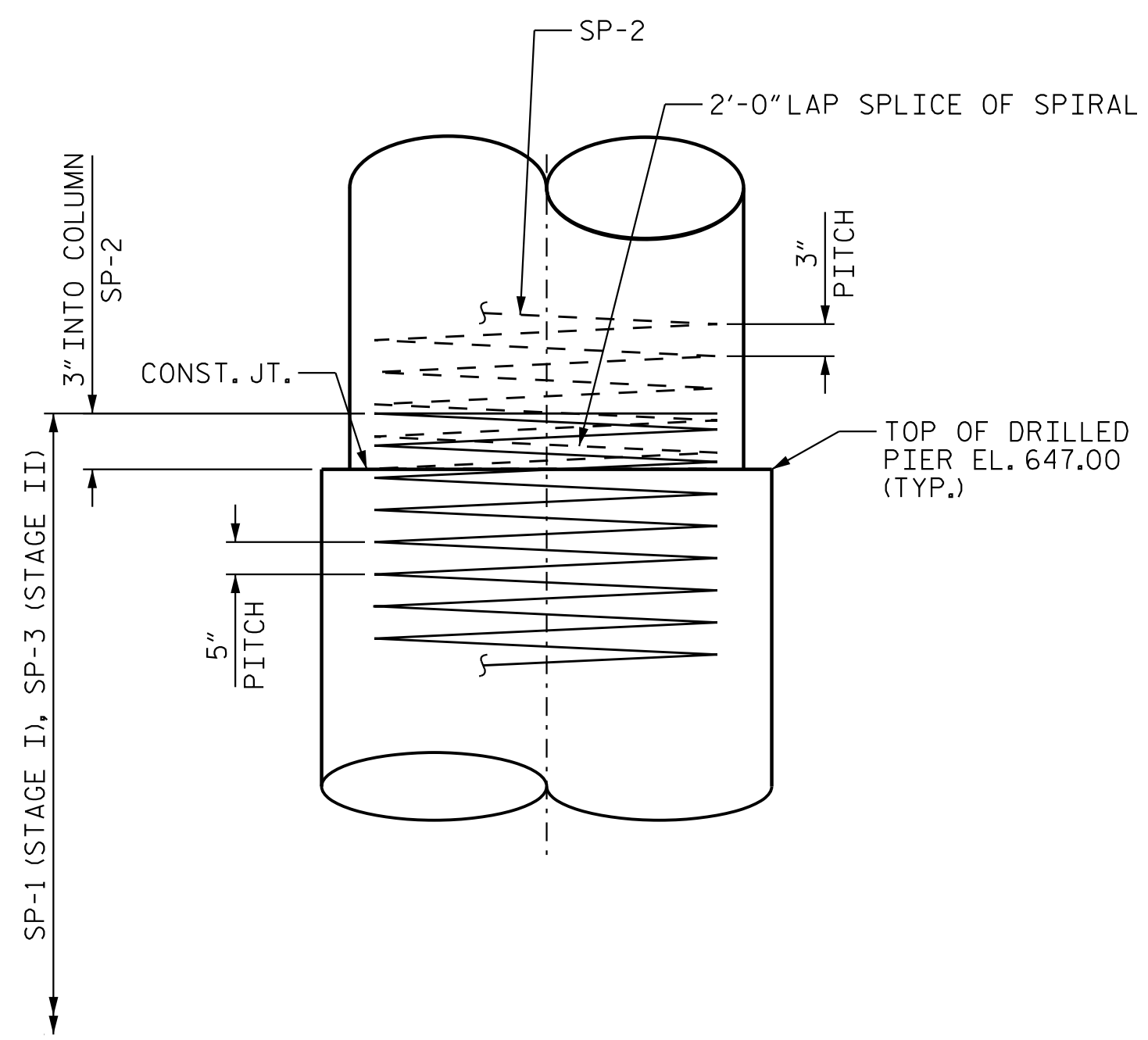
PLAN OF DRILLED PIERS



SECTION THRU DRILLED PIER
TYPICAL ALL DRILLED PIERS

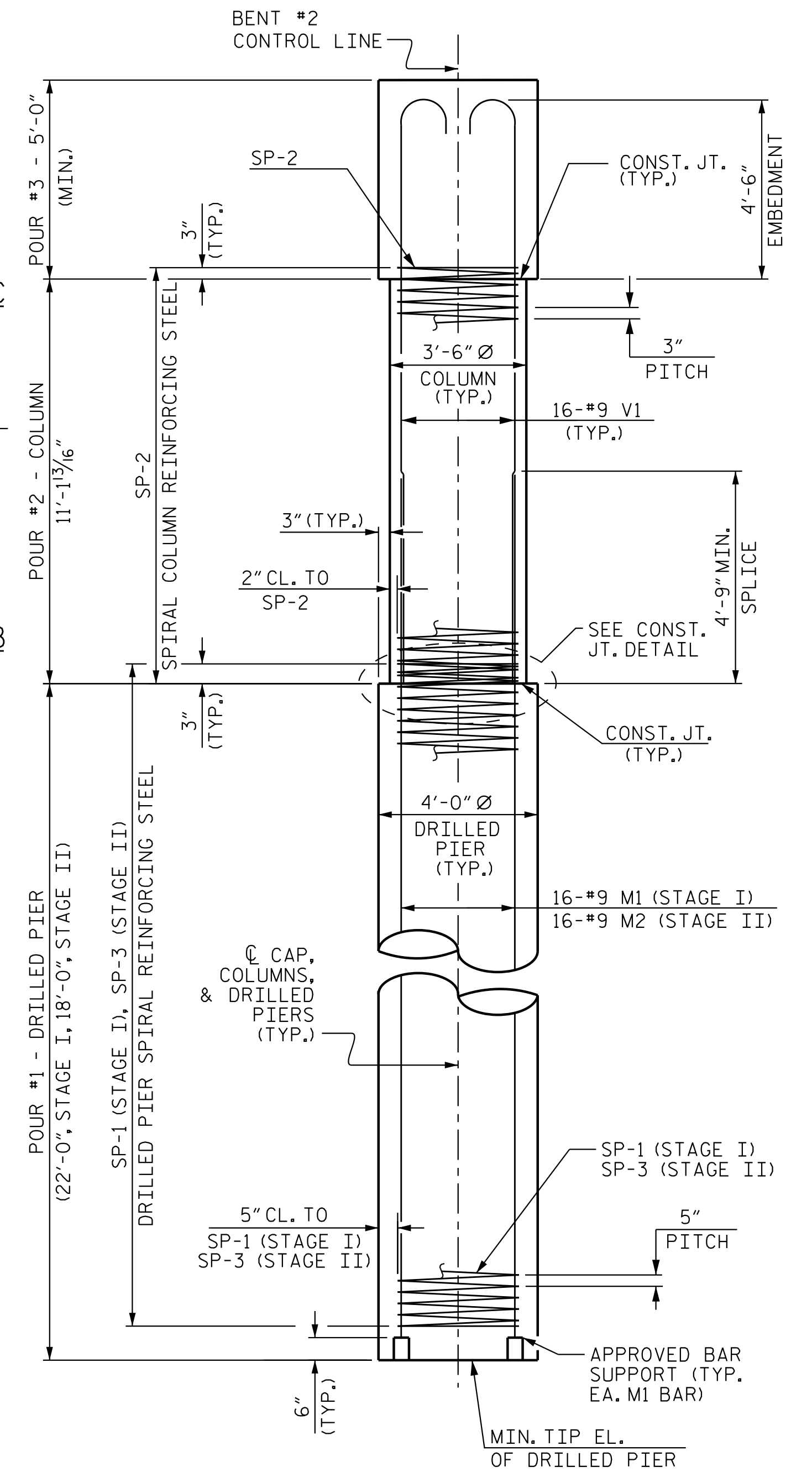


SECTION THRU COLUMN
TYPICAL ALL COLUMNS



CONSTRUCTION JOINT DETAIL

LONGITUDINAL STEEL NOT SHOWN FOR CLARITY.



END ELEVATION

PROJECT NO. R-2707D
CLEVELAND COUNTY
STATION: 849+00.00 -L-

SHEET 3 OF 4

STATE OF NORTH CAROLINA
DEPARTMENT OF TRANSPORTATION
RALEIGH
SUBSTRUCTURE
BENT 2 DETAILS
(RIGHT LANE)



Stantec Consulting Services Inc.
801 Jones Franklin Road
Suite 300
Raleigh, NC 27606
Tel. (919) 851-6866
Fax. (919) 851-7024
www.stantec.com
License No. F-0672

DRAWN BY: J. B. GEILE DATE: 01/20/23
CHECKED BY: S.S. POOLE DATE: 01/10/23
DESIGN ENGINEER OF RECORD: S.S. POOLE DATE: 05/10/23

DOCUMENT NOT CONSIDERED FINAL UNLESS ALL SIGNATURES COMPLETED

REVISIONS						SHEET NO. S6-46
NO.	BY:	DATE:	NO.	BY:	DATE:	
1			3			TOTAL SHEETS 56
2			4			

5/10/2023 jHagenbush c:\pvt\working\dmis55490\R2707D_SMLL_B203_220101.dgn