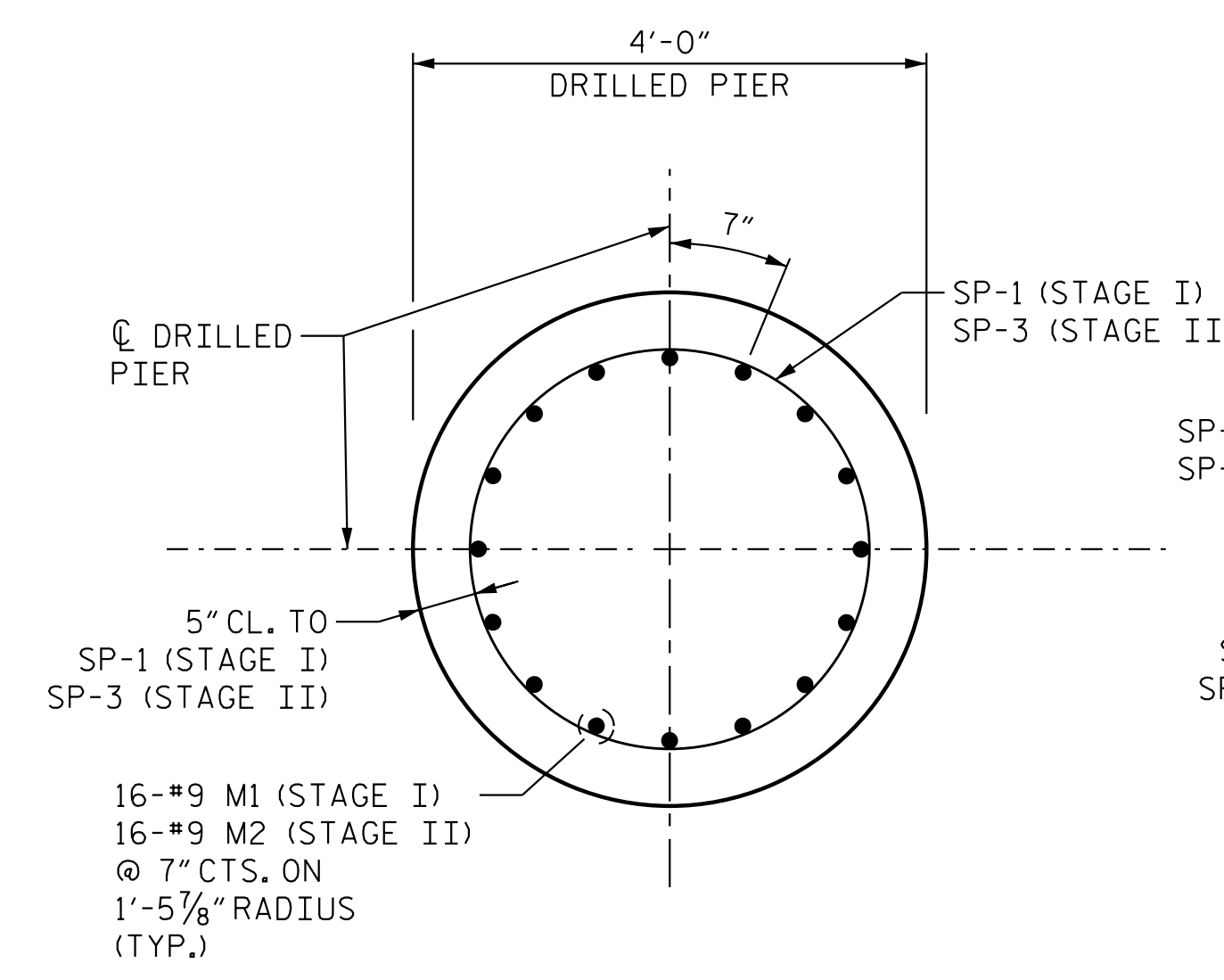
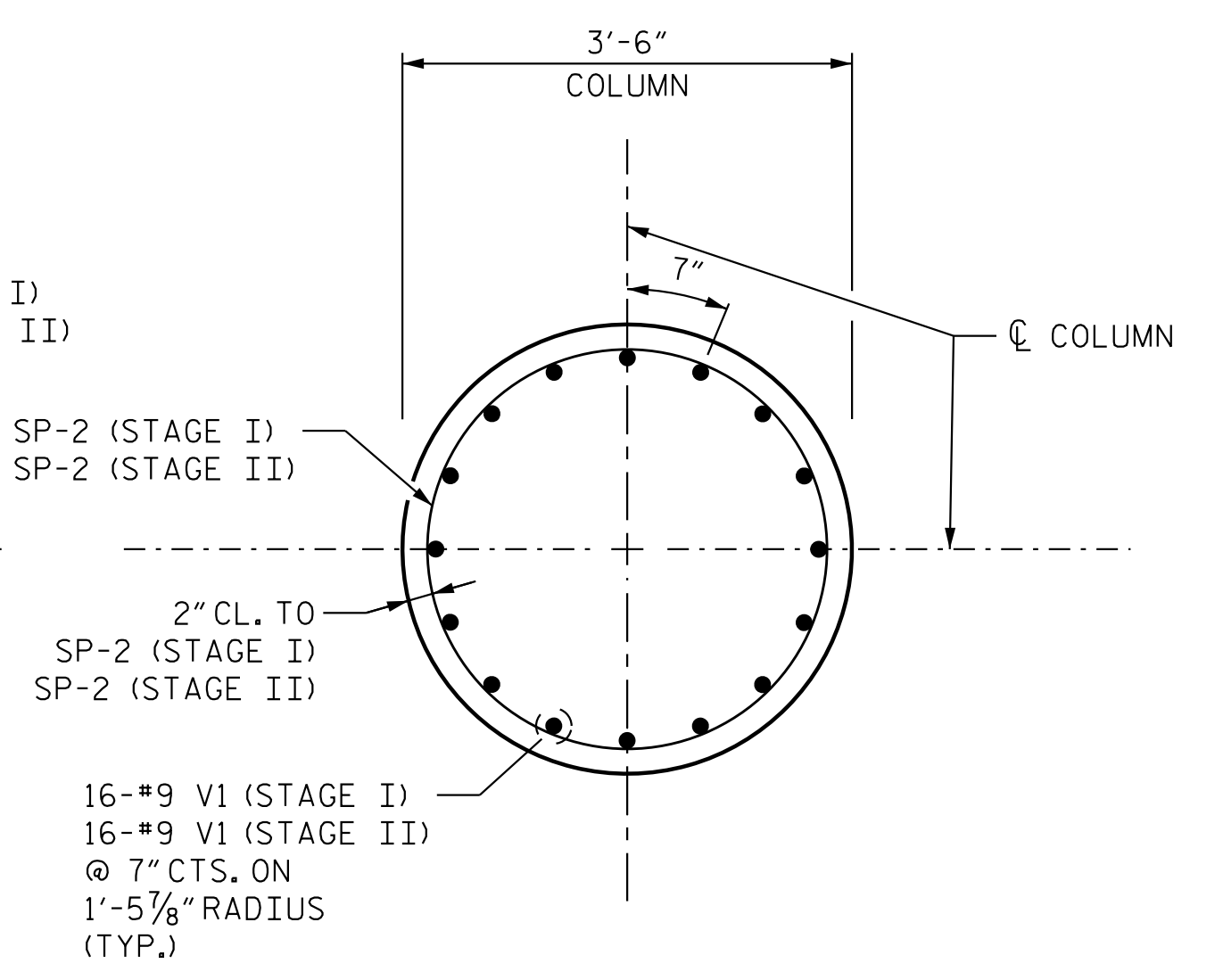


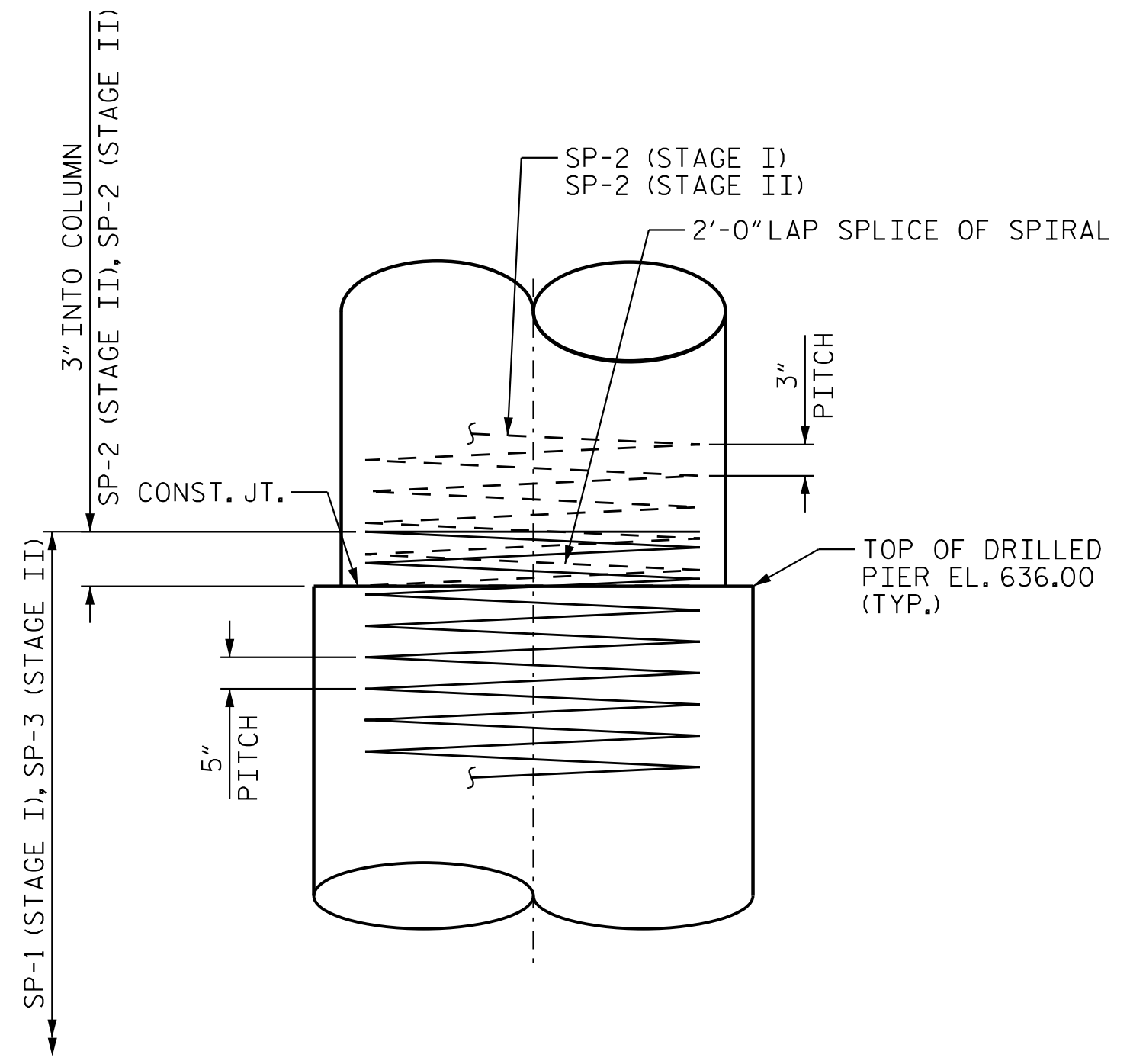
PLAN OF DRILLED PIERS



SECTION THRU DRILLED PIER
TYPICAL ALL DRILLED PIERS

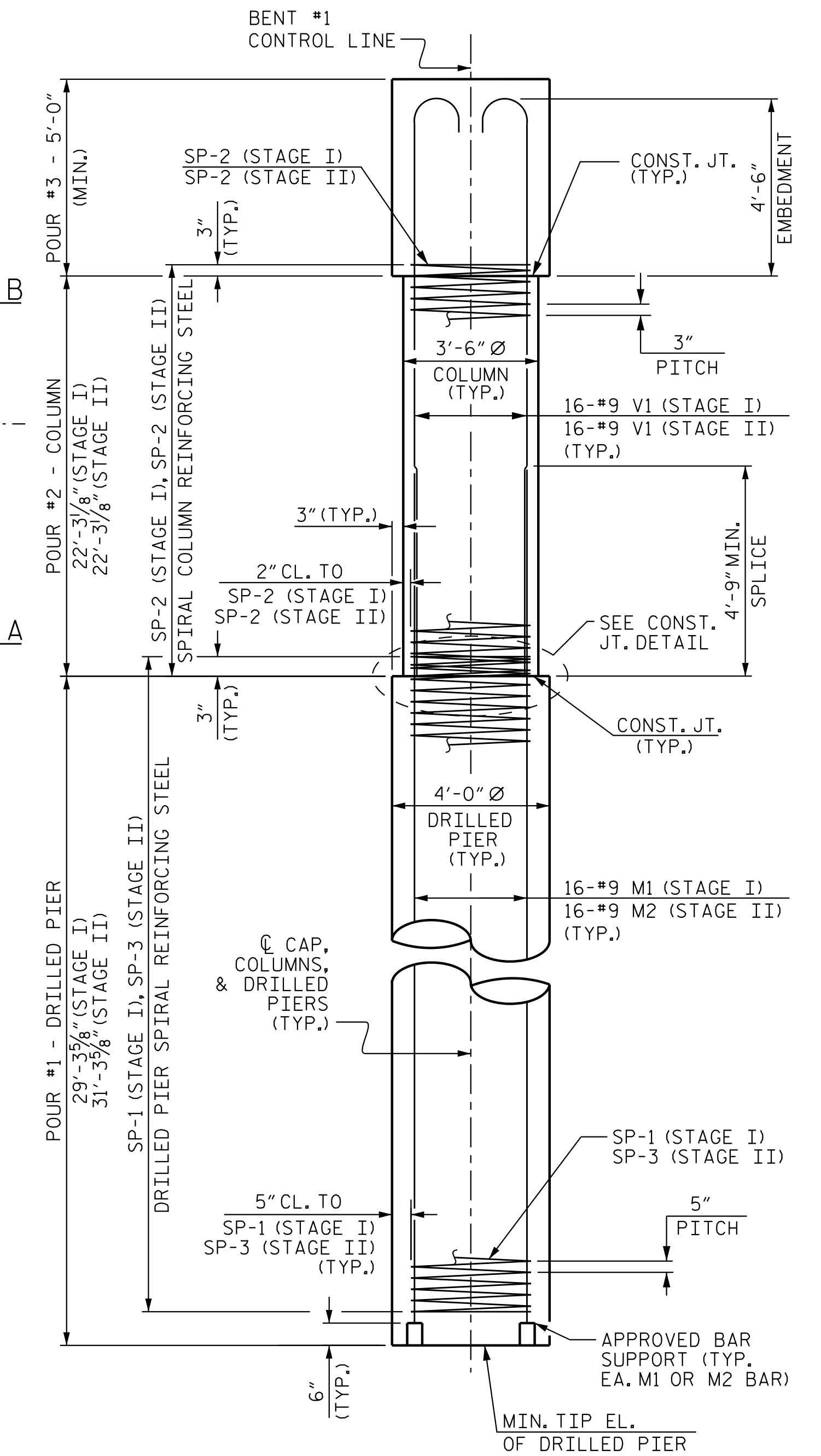


SECTION THRU COLUMN
TYPICAL ALL COLUMNS



CONSTRUCTION JOINT DETAIL

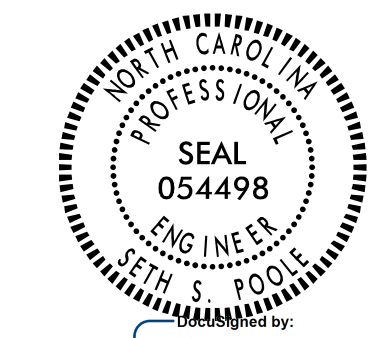
LONGITUDINAL STEEL NOT SHOWN FOR CLARITY.



END ELEVATION

PROJECT NO. R-2707D
CLEVELAND COUNTY
STATION: 849+00.00 -L-

SHEET 3 OF 4



STATE OF NORTH CAROLINA
DEPARTMENT OF TRANSPORTATION
RALEIGH
SUBSTRUCTURE
BENT 1 DETAILS
(RIGHT LANE)

REVISIONS						SHEET NO. S6-42
NO.	BY:	DATE:	NO.	BY:	DATE:	
1			3			TOTAL SHEETS 56
2			4			

DOCUMENT NOT CONSIDERED FINAL UNLESS ALL SIGNATURES COMPLETED



DRAWN BY: J. B. GEILE DATE: 01/20/23
CHECKED BY: S.S. POOLE DATE: 01/10/23
DESIGN ENGINEER OF RECORD: S.S. POOLE DATE: 05/10/23

5/10/2023 jHagenbush ca:\pvt_wor\king\dms55490\2707D_SMLL_B103_220101.dgn