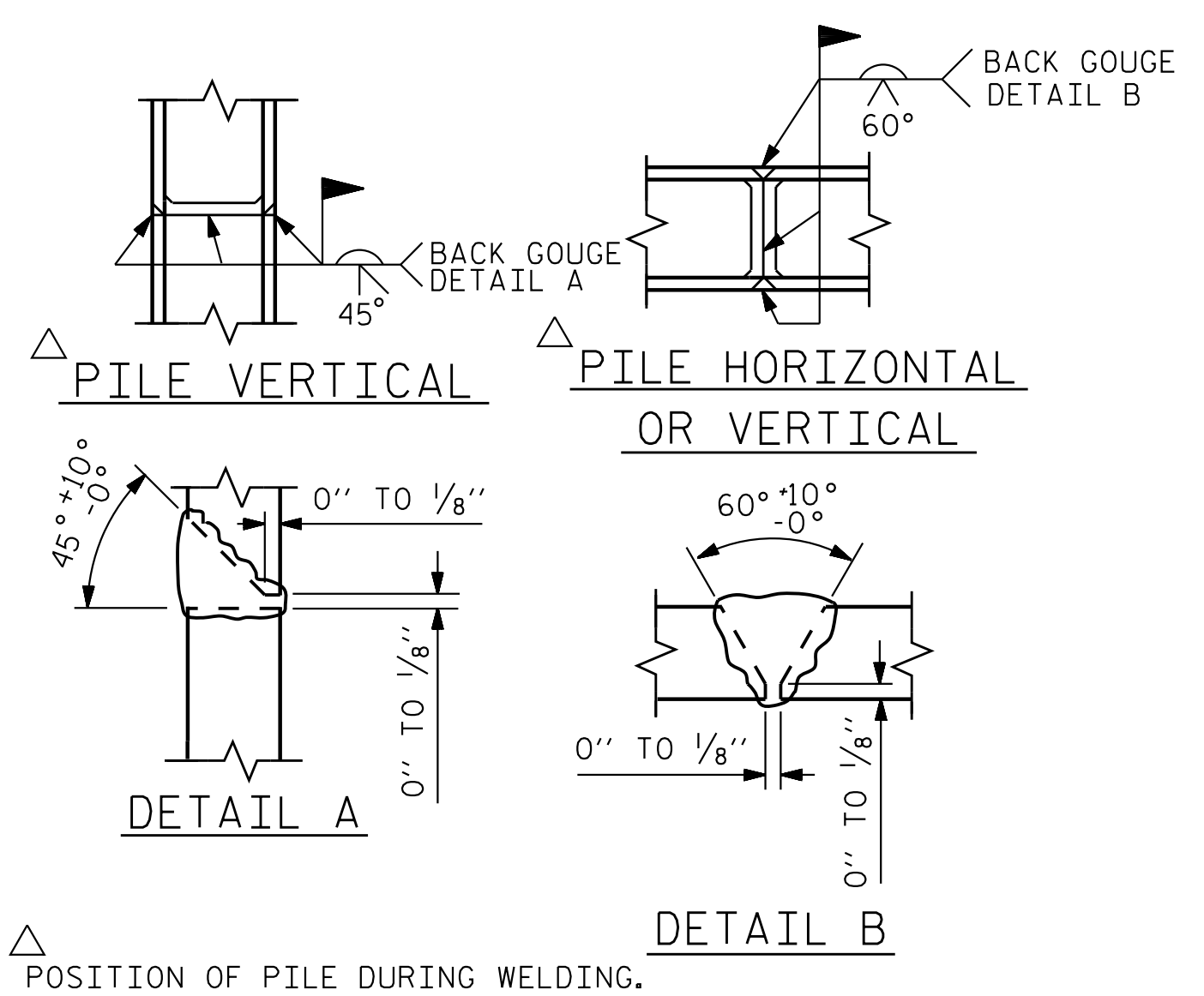


BAGGED STONE AND PIPE SHALL BE PLACED IMMEDIATELY AFTER COMPLETION OF END BENT EXCAVATION. PIPE MAY BE EITHER CONCRETE, CORRUGATED STEEL, CORRUGATED ALUMINUM ALLOY, OR CORRUGATED PLASTIC. PERFORATED PIPE WILL NOT BE ALLOWED.

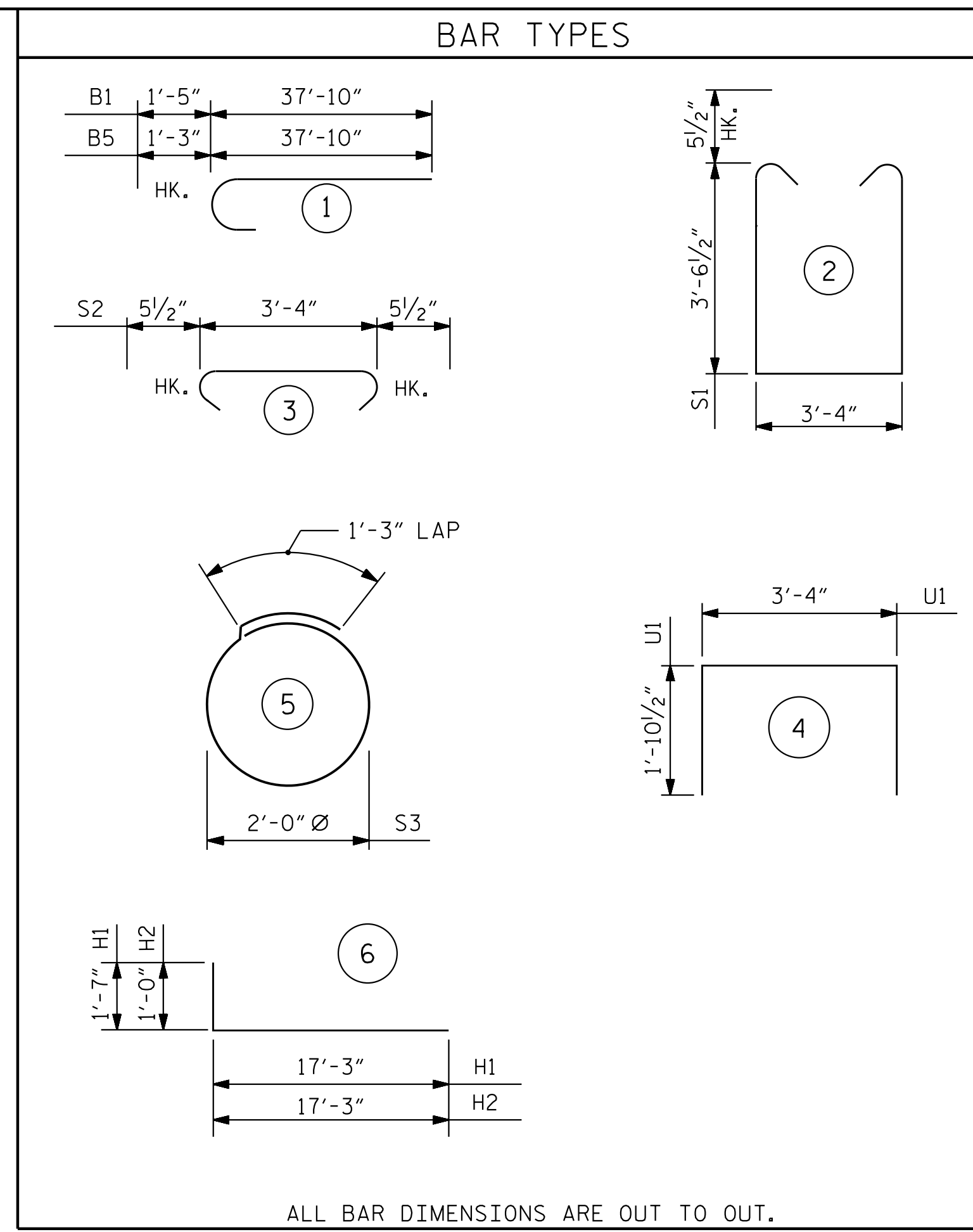
BAGGED STONE SHALL REMAIN IN PLACE UNTIL THE ENGINEER DIRECTS THAT IT BE REMOVED. THE CONTRACTOR SHALL REMOVE AND DISPOSE OF SILT ACCUMULATIONS AT BAGGED STONE WHEN SO DIRECTED BY THE ENGINEER. BAGS SHALL BE REMOVED AND REPLACED WHENEVER THE ENGINEER DETERMINES THAT THEY HAVE DETERIORATED AND LOST THEIR EFFECTIVENESS.

NO SEPARATE PAYMENT WILL BE MADE FOR THIS WORK AND THE ENTIRE COST OF THIS WORK SHALL BE INCLUDED IN THE UNIT CONTRACT PRICE BID FOR THE SEVERAL PAY ITEMS.

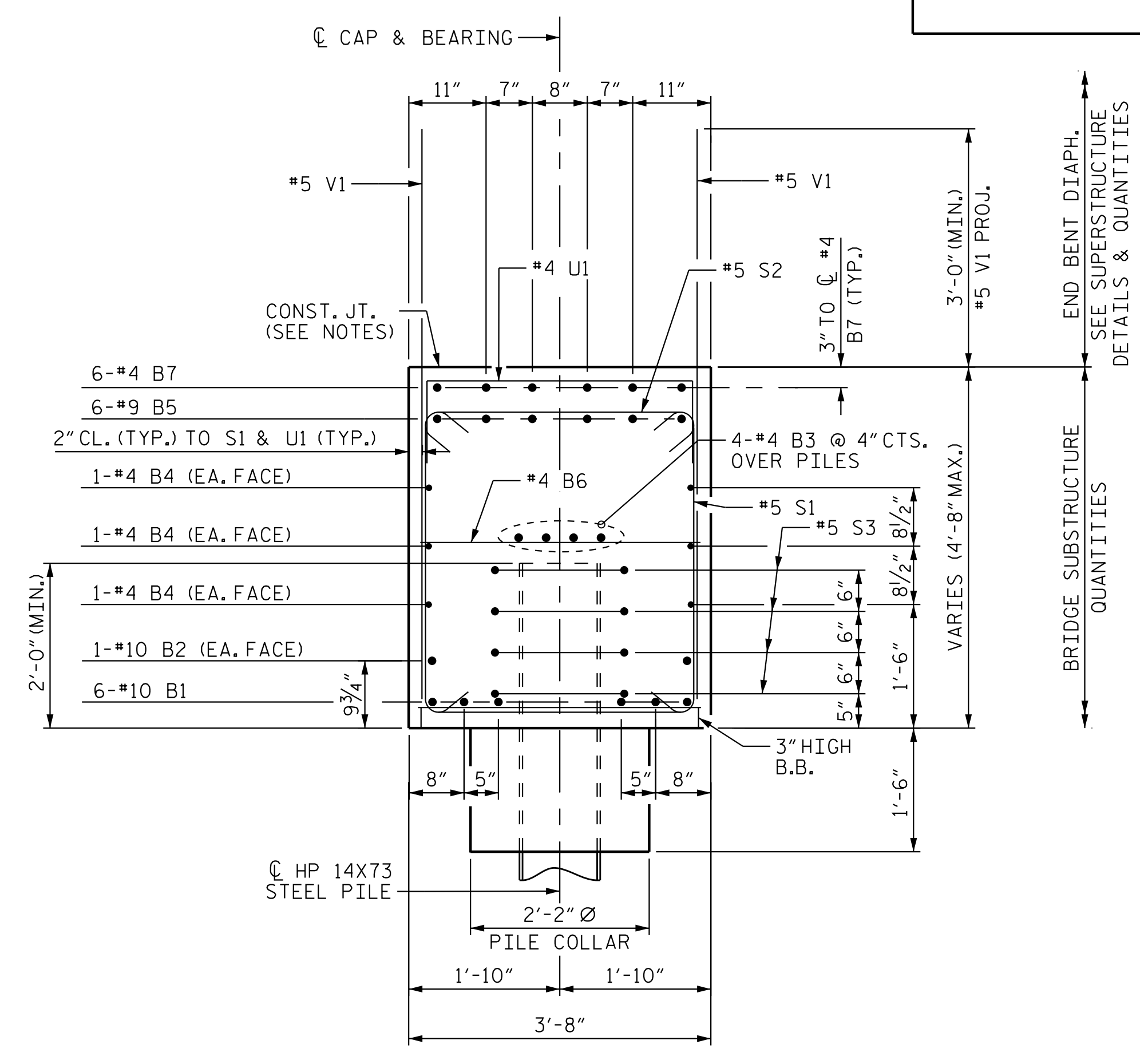
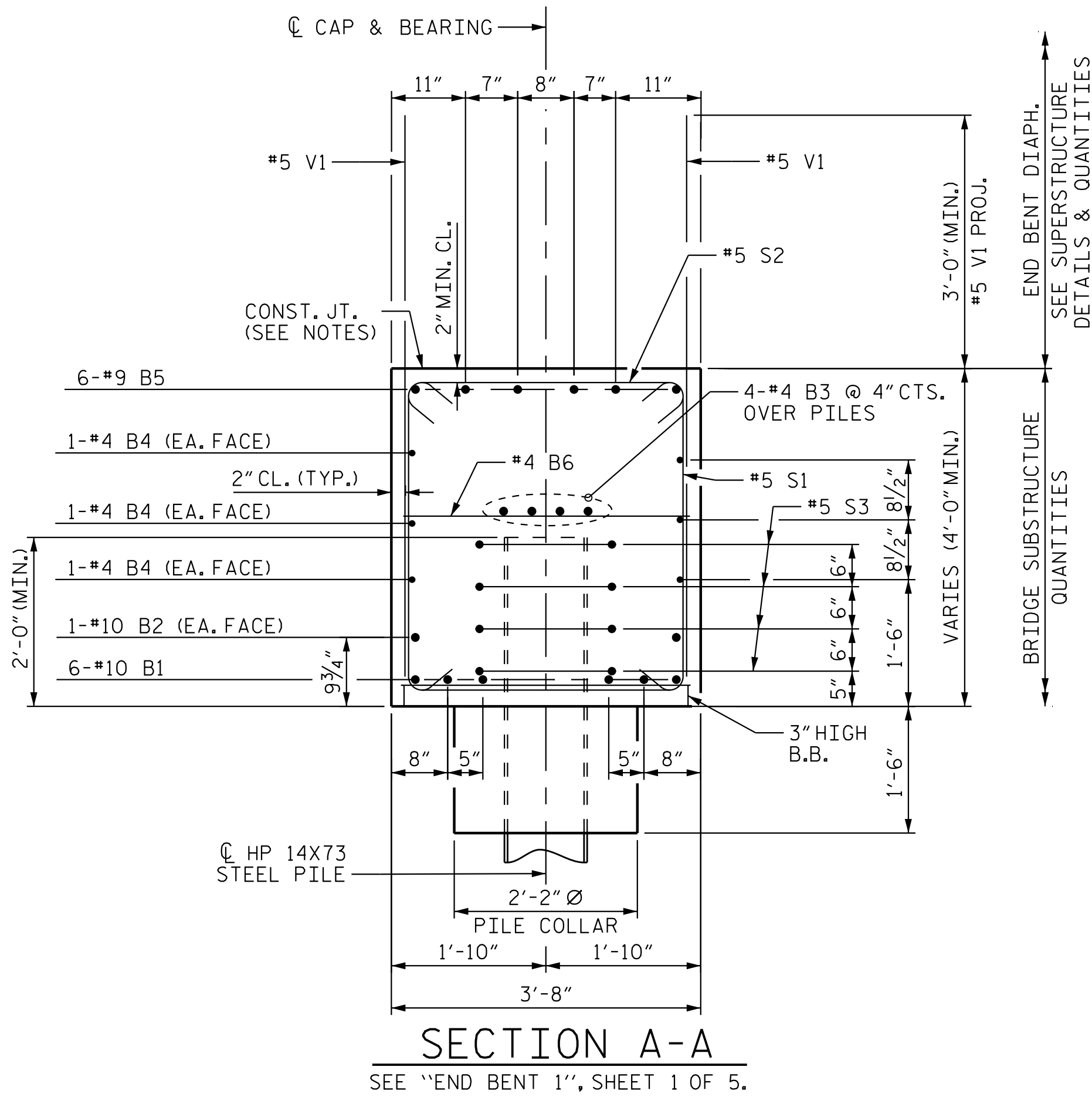
TEMPORARY DRAINAGE AT END BENT



PILE SPLICE DETAILS



BILL OF MATERIAL					
END BENT 1 - STAGE I					
BAR NO.	SIZE	TYPE	LENGTH	WEIGHT	
B1	6	#10	1	39'-3"	1014
B2	2	#10	STR	36'-10"	317
B3	4	#4	STR	38'-5"	103
B4	6	#4	STR	38'-5"	154
B5	6	#9	1	39'-1"	798
B6	9	#4	STR	3'-4"	21
B7	6	#4	STR	15'-4"	62
H1	26	#6	6	18'-10"	1001
H2	26	#6	6	18'-3"	970
K1	4	#4	STR	2'-3"	7
K2	14	#4	STR	5'-4"	50
S1	41	#5	2	11'-4"	485
S2	35	#5	3	4'-3"	156
S3	24	#4	5	7'-7"	122
U1	9	#4	4	7'-1"	43
V1	55	#5	STR	7'-5"	426
V2	39	#5	STR	11'-0"	448
REINFORCING STEEL					LBS. 6,177
CLASS A CONCRETE BREAKDOWN:					
POUR#1: CAP, COLLARS, & WINGS					C.Y. 24.2
POUR#2: UPPER WINGS					C.Y. 6.0
CLASS A CONCRETE TOTAL					C.Y. 30.2



NOTES

TOP SURFACE AREAS OF THE END BENT CAP SHALL BE KEPT CLEAN AND FREE OF LAITANCE.

ROUGH FLOAT AND ROUGHEN THE TOP OF THE END BENT CAP UNDER END BENT DIAPHRAGM TO PROVIDE MIN. SURFACE AMPLITUDE OF 1/4", EXCEPT UNDER BEARING AREAS.

PROJECT NO. R-2707D

CLEVELAND COUNTY

STATION: 849+00.00 -L-

SHEET 4 OF 5

STATE OF NORTH CAROLINA
DEPARTMENT OF TRANSPORTATION
RALEIGH

SUBSTRUCTURE

END BENT 1 DETAILS
(STAGE I)

(RIGHT LANE)



DOCUMENT NOT CONSIDERED FINAL UNLESS ALL SIGNATURES COMPLETED

REVISIONS						SHEET NO.
NO.	BY:	DATE:	NO.	BY:	DATE:	S6-38
1			3			TOTAL SHEETS
2			4			56

Stantec Consulting Services Inc.
801 Jones Franklin Road
Suite 300
Raleigh, NC 27606
Tel. (919) 851-6866
Fax. (919) 851-7024
www.stantec.com
License No. F-0672

DRAWN BY: J. B. GEILE DATE: 01/08/23
CHECKED BY: S. S. POOLE DATE: 01/10/23
DESIGN ENGINEER OF RECORD: S.S. POOLE DATE: 05/10/23

5/10/2023 jHogenbush c:\pvt\wv-king\dms55490\2707D_SMLL.E04_220101.dgn