

NOTES

SEE "TYPICAL SECTION DETAILS", SHEET 5 OF 5 FOR ADDITIONAL NOTES.

(6 BR) DENOTES 6 BAR RUN.

#5 B5 (6 BR) MAY BE REPOSITIONED AS NECESSARY TO CLEAR PIPE DRAINS.

Δ TOP OF METAL SIP FORMS TO MATCH REQUIRED BOTTOM OF SLAB.

Δ Δ FOR INTERMEDIATE STEEL DIAPHRAGM DETAILS, SEE "INTERMEDIATE STEEL DIAPHRAGMS FOR MODIFIED 72" PRESTRESSED CONCRETE GIRDERS" SHEET.

* PORTABLE PRECAST CONCRETE MEDIAN BARRIER ANCHORED TO BRIDGE DECK. (SEE NCDOT STD. 854.04 & 1170.01)

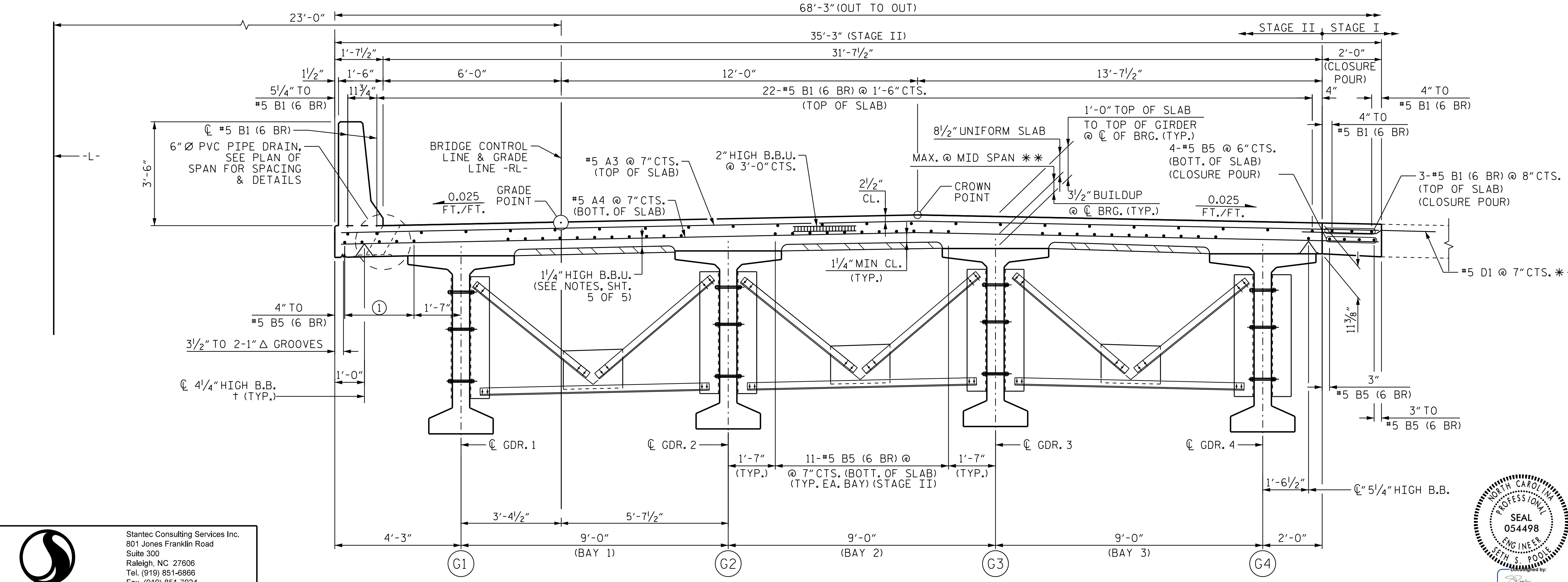
** DOWELS SHALL BE PLACED IN THE SAME HORIZONTAL PLANE AS THE TOP SLAB REINFORCING STEEL.

*** SEE DETAIL "A" ON "TYPICAL SECTION DETAILS", SHEET 5 OF 5.

① 5-#5 B5 (6 BR) @ 7" CTS (BOTT. OF SLAB) BAR MAY BE CUT OR ADJUSTED SLIGHTLY TO CLEAR DECK DRAINS.

† 4 1/4" B.B. SHALL BE CUT AS REQUIRED TO CLEAR PIPE DRAINS.

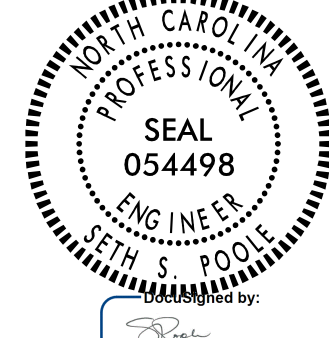
SECTION AT INTERMEDIATE DIAPHRAGMS (STAGE I)
TYPICAL SECTION



PROJECT NO. R-2707D
CLEVELAND COUNTY
STATION: 849+00.00 -L-

SHEET 1 OF 5

STATE OF NORTH CAROLINA
DEPARTMENT OF TRANSPORTATION
RALEIGH
SUPERSTRUCTURE
TYPICAL SECTION
(RIGHT LANE)



Stantec
Stantec Consulting Services Inc.
801 Jones Franklin Road
Suite 300
Raleigh, NC 27606
Tel. (919) 851-6866
Fax. (919) 851-7024
www.stantec.com
License No. F-0672

DRAWN BY: J. B. GEILE DATE: 10/17/18
CHECKED BY: S.S. POOLE DATE: 01/10/23
DESIGN ENGINEER OF RECORD: S.S. POOLE DATE: 05/10/23

SECTION AT INTERMEDIATE DIAPHRAGMS (STAGE II)
TYPICAL SECTION

DOCUMENT NOT CONSIDERED FINAL UNLESS ALL SIGNATURES COMPLETED

REVISIONS						SHEET NO. S6-08
NO.	BY:	DATE:	NO.	BY:	DATE:	
1			3			TOTAL SHEETS 56
2			4			