

jHagenbush

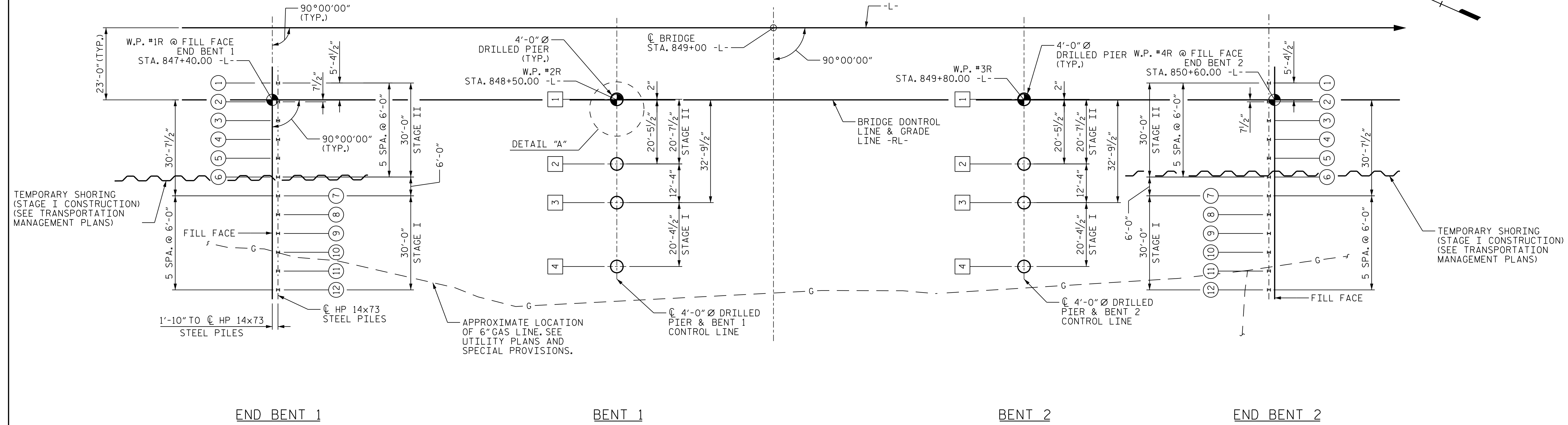
5/10/2023

c:\pvt\working\dms55490\27070D_SMLL_FL_220101.dgn



DRAWN BY : J. B. GEILE DATE : 10/10/18
CHECKED BY : S. S. POOLE DATE : 01/10/23

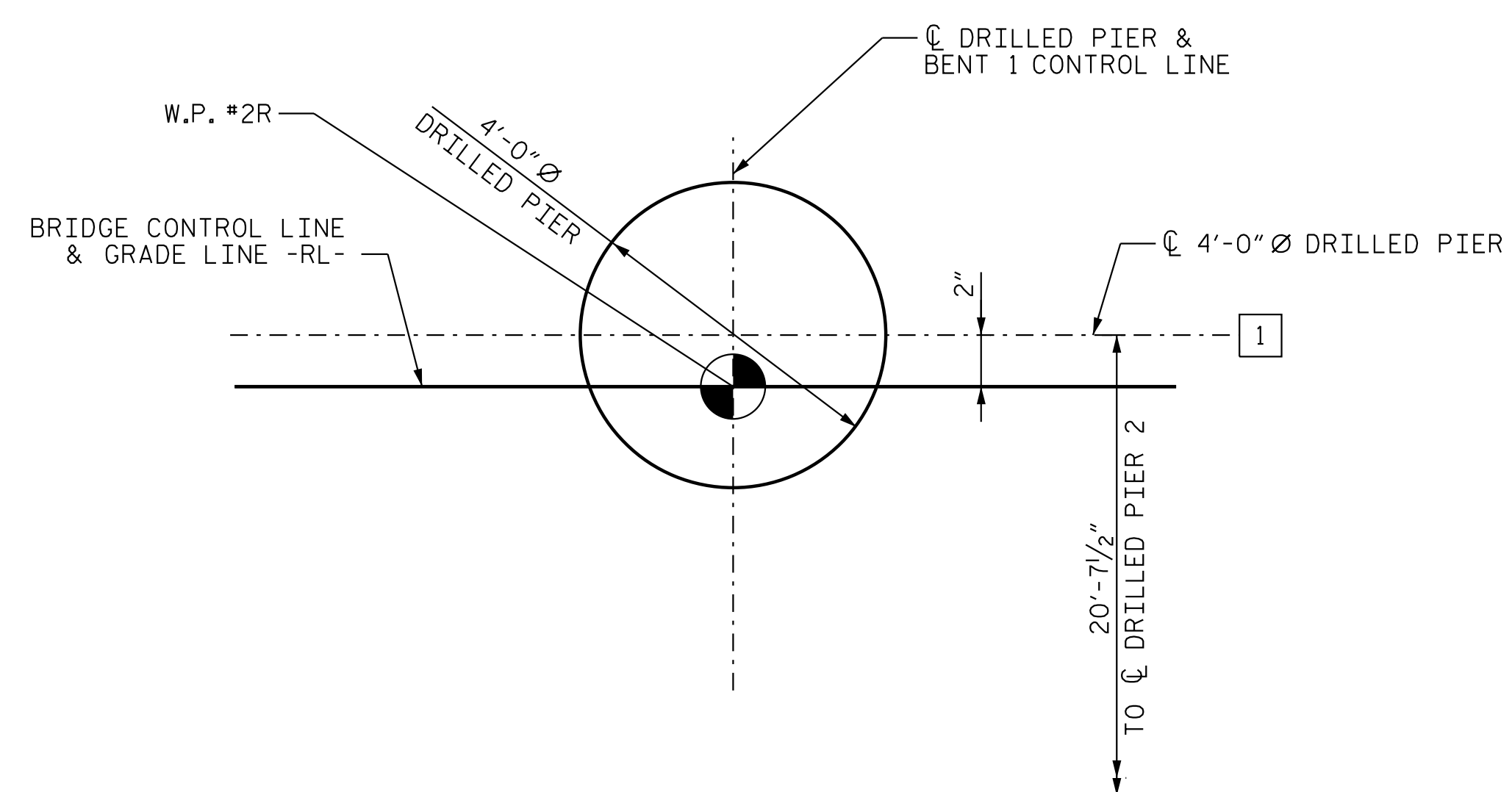
DESIGN ENGINEER OF RECORD: S.S. POOLE DATE : 05/10/23



FOUNDATION LAYOUT

ALL SUBSTRUCTURE WORK LINES PASS THROUGH WORK POINTS.

- ⊕ - DENOTES PILE NUMBER.
- ⊞ - DENOTES DRILLED PIER NUMBER.

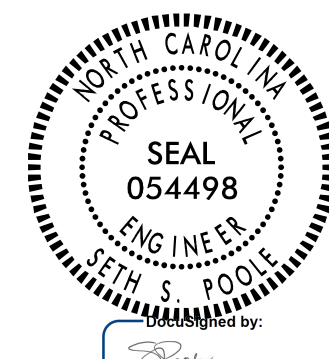


DETAIL "A"

PLAN @ BENT 1 SHOWN, BENT 2 TYPICAL

PROJECT NO. R-2707D
CLEVELAND COUNTY
STATION: 849+00.00 -L-

SHEET 2 OF 3
STATE OF NORTH CAROLINA
DEPARTMENT OF TRANSPORTATION
RALEIGH
GENERAL DRAWING
FOR BRIDGE OVER BUFFALO CREEK
ON US 74 BETWEEN
SR 2325 (HOEY CHURCH RD.) AND
SR 2238 (LONG BRANCH RD.)
(RIGHT LANE)



DOCUMENT NOT CONSIDERED FINAL UNLESS ALL SIGNATURES COMPLETED

REVISIONS						SHEET NO.
NO.	BY:	DATE:	NO.	BY:	DATE:	S6-02
1			3			TOTAL SHEETS
2			4			56