

MINIMUM OF 3- ONE CUBIC FOOT BAGS OF #78M STONE. BAGS SHALL BE OF POROUS FABRIC, SECURELY TIED.

6" (MIN.) PIPE FOR DRAINAGE

GRADE TO DRAIN

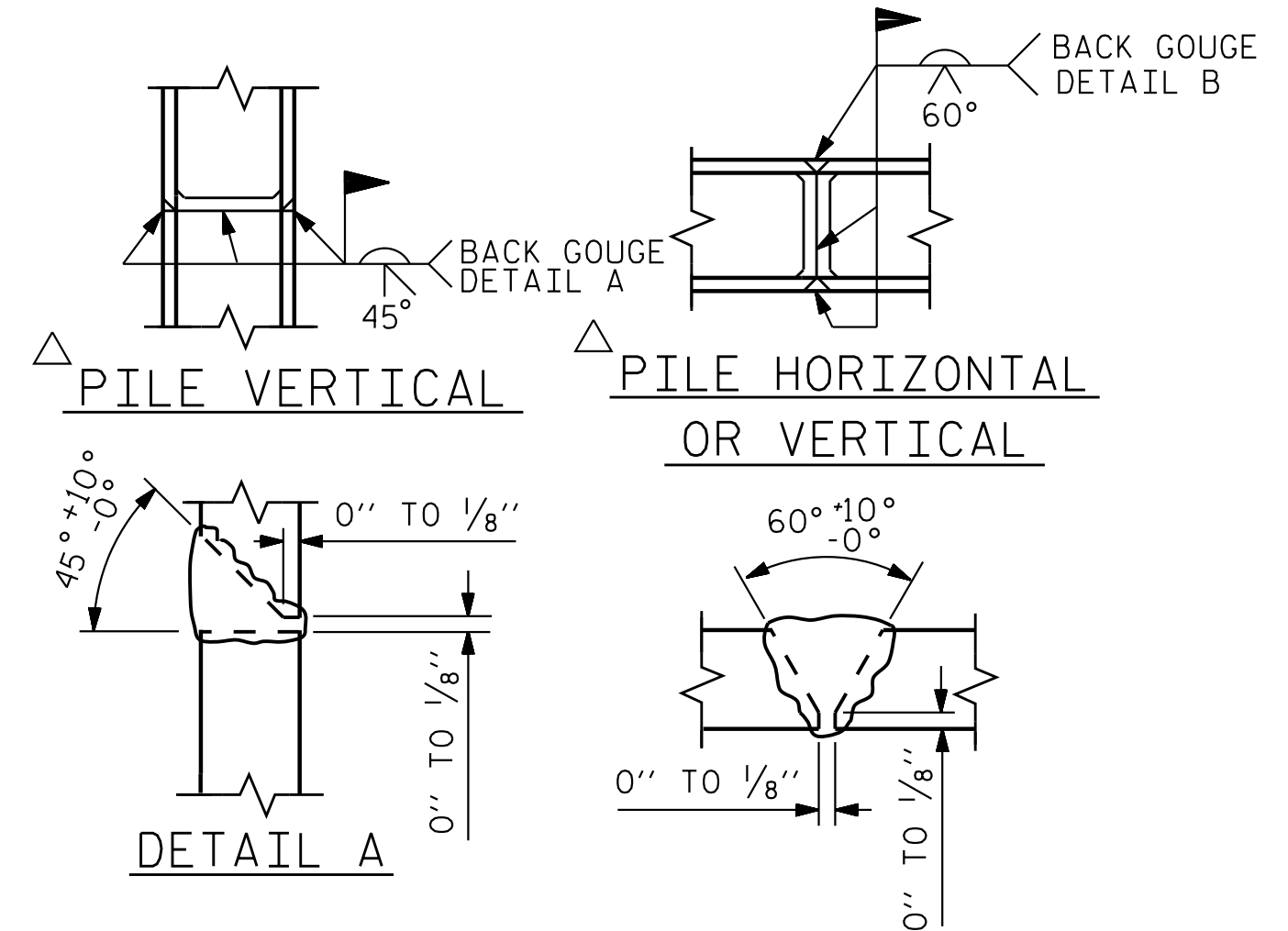
TOE OF SLOPE

BAGGED STONE AND PIPE SHALL BE PLACED IMMEDIATELY AFTER COMPLETION OF END BENT EXCAVATION. PIPE MAY BE EITHER CONCRETE, CORRUGATED STEEL, CORRUGATED ALUMINUM ALLOY, OR CORRUGATED PLASTIC. PERFORATED PIPE WILL NOT BE ALLOWED.

BAGGED STONE SHALL REMAIN IN PLACE UNTIL THE ENGINEER DIRECTS THAT IT BE REMOVED. THE CONTRACTOR SHALL REMOVE AND DISPOSE OF SILT ACCUMULATIONS AT BAGGED STONE WHEN SO DIRECTED BY THE ENGINEER. BAGS SHALL BE REMOVED AND REPLACED WHENEVER THE ENGINEER DETERMINES THAT THEY HAVE DETERIORATED AND LOST THEIR EFFECTIVENESS.

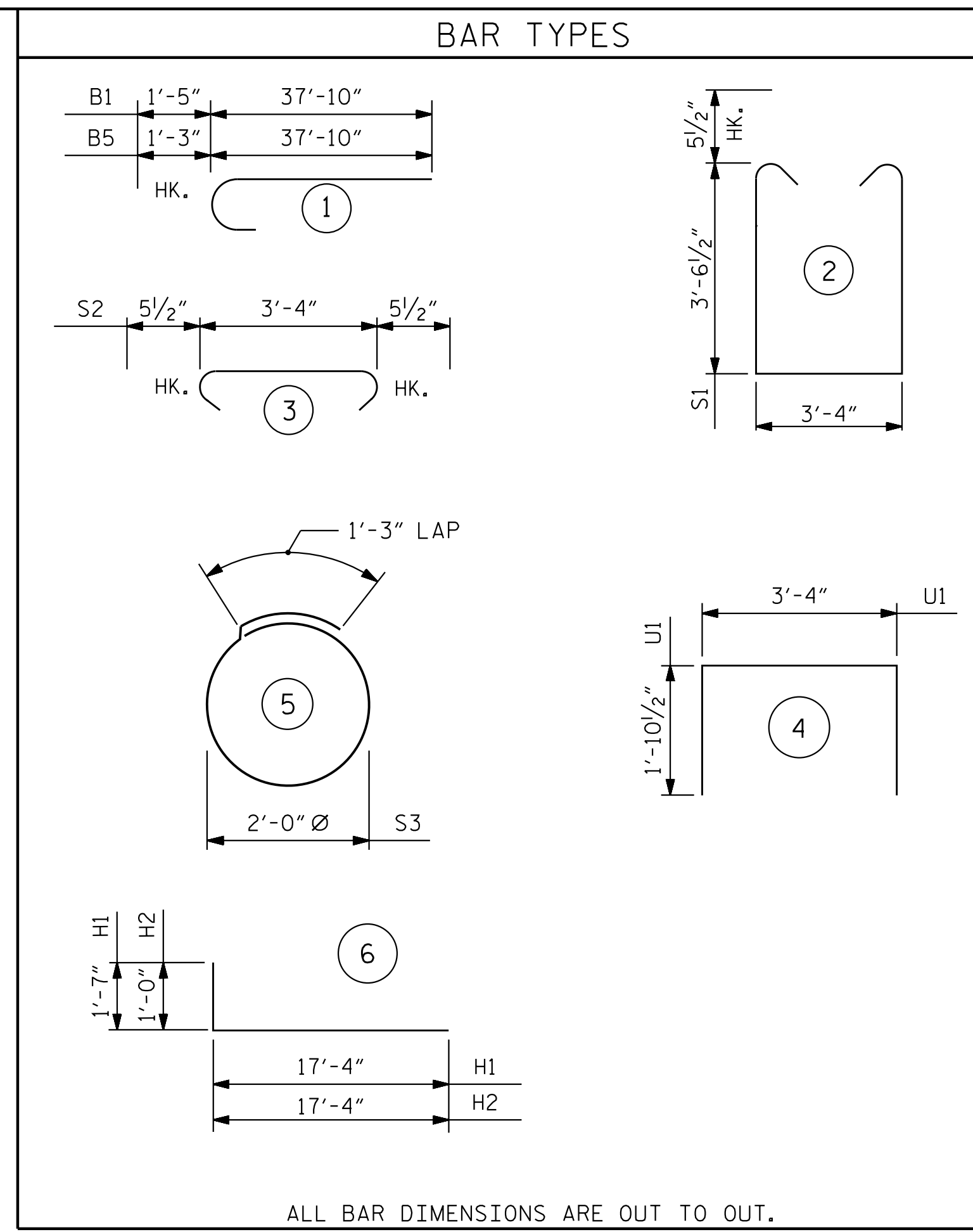
NO SEPARATE PAYMENT WILL BE MADE FOR THIS WORK AND THE ENTIRE COST OF THIS WORK SHALL BE INCLUDED IN THE UNIT CONTRACT PRICE BID FOR THE SEVERAL PAY ITEMS.

### TEMPORARY DRAINAGE AT END BENT



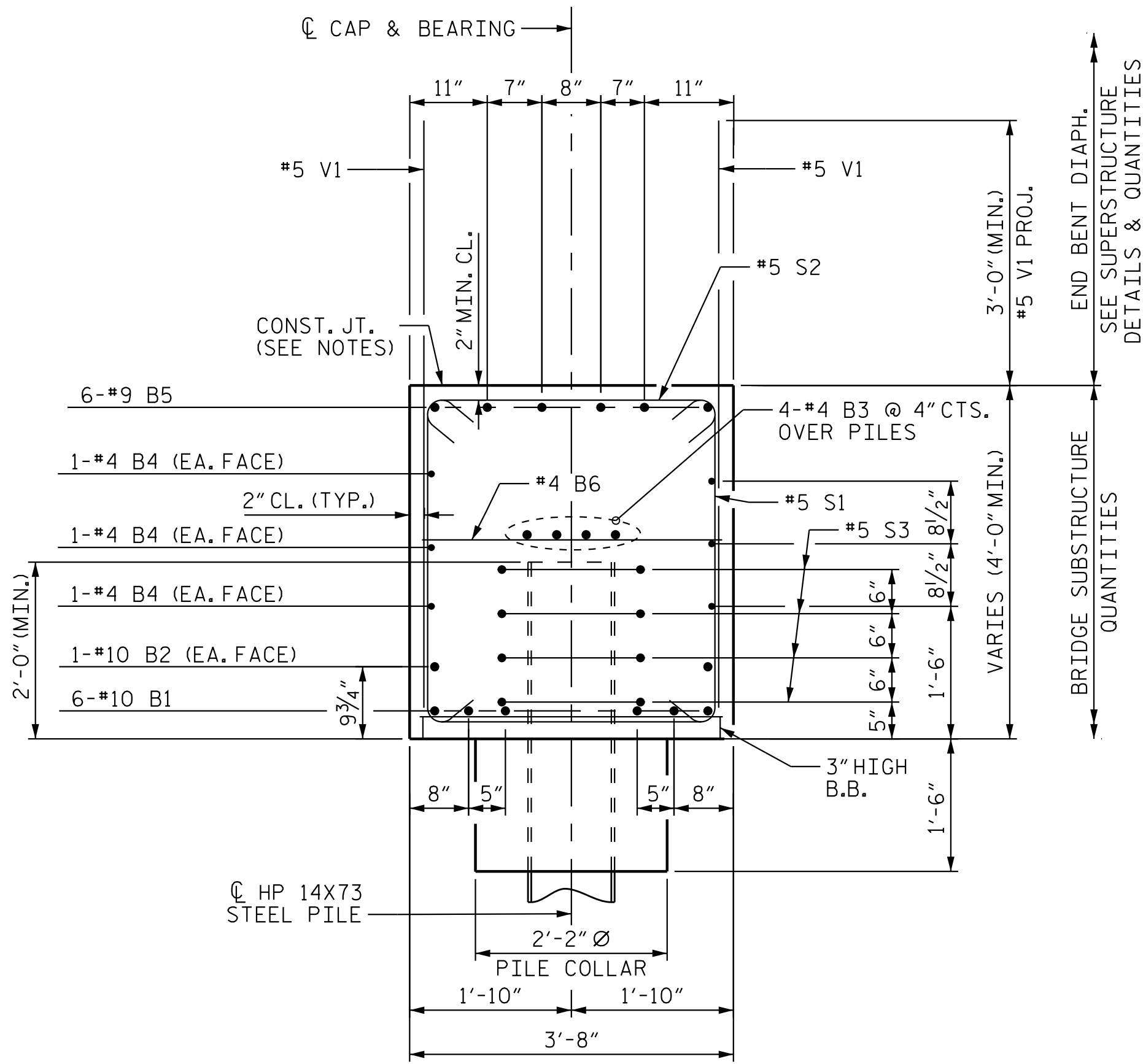
PILE SPLICING DETAILS

POSITION OF PILE DURING WELDING.

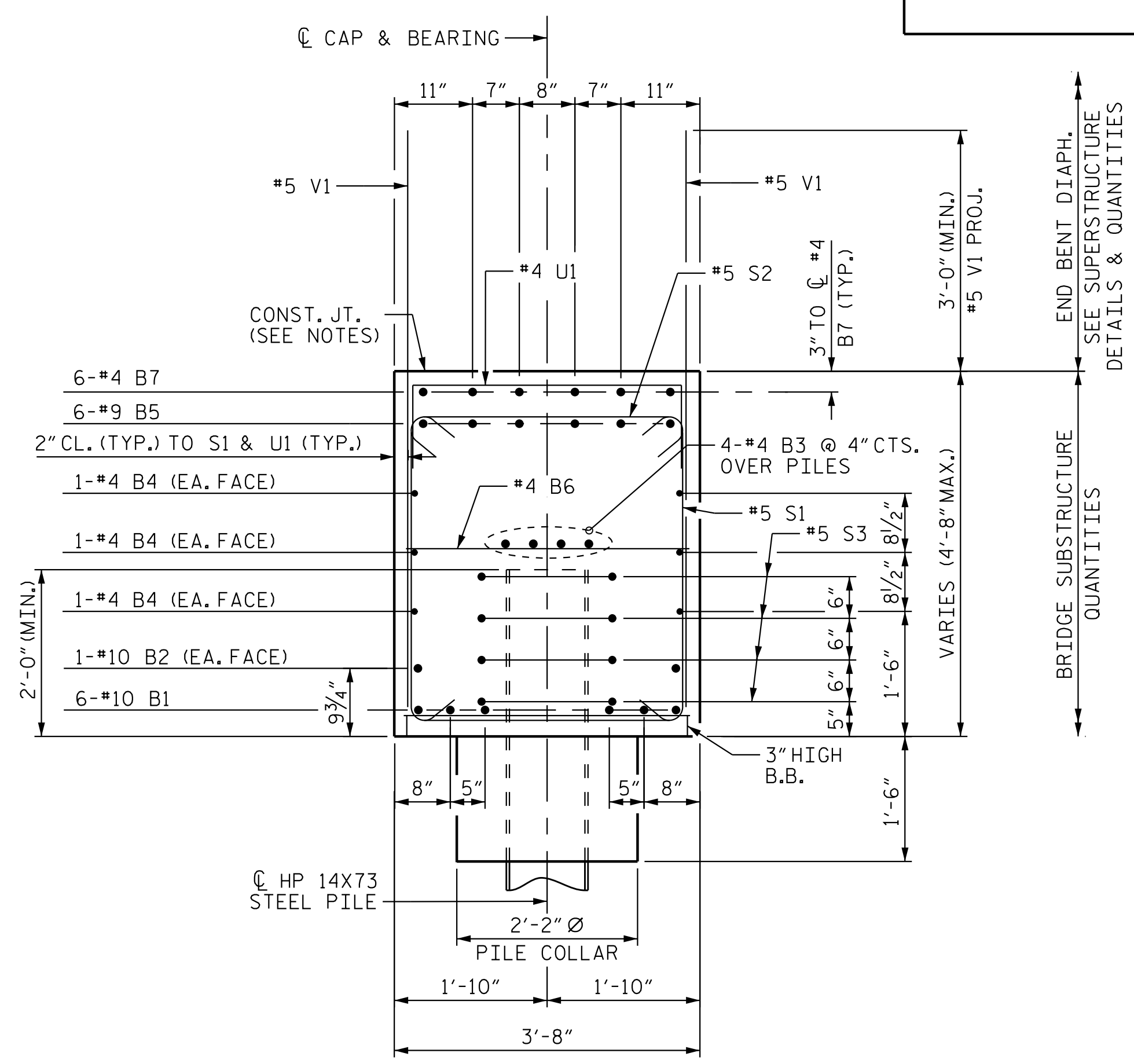


ALL BAR DIMENSIONS ARE OUT TO OUT.

BILL OF MATERIAL					
END BENT 2 - STAGE I					
BAR NO.	SIZE	TYPE	LENGTH	WEIGHT	
B1	6	#10	1	39'-3"	1014
B2	2	#10	STR	36'-10"	317
B3	4	#4	STR	38'-5"	103
B4	6	#4	STR	38'-5"	154
B5	6	#9	1	39'-1"	798
B6	9	#4	STR	3'-4"	21
B7	6	#4	STR	15'-4"	62
H1	26	#7	6	18'-10"	1001
H2	26	#7	6	18'-3"	485
K1	4	#4	STR	2'-3"	7
K2	14	#4	STR	5'-4"	50
S1	41	#5	2	11'-4"	473
S2	35	#5	3	4'-3"	156
S3	24	#4	5	7'-7"	122
U1	9	#4	4	7'-1"	43
V1	55	#5	STR	7'-5"	426
V2	39	#5	STR	11'-0"	448
REINFORCING STEEL					LBS. 6,177
CLASS A CONCRETE BREAKDOWN:					
POUR#1: CAP, COLLARS, & WINGS					C.Y. 24.2
POUR#2: UPPER WINGS					C.Y. 7.0
CLASS A CONCRETE TOTAL					C.Y. 31.2



SECTION A-A  
SEE "END BENT 2", SHEET 1 OF 5.



SECTION B-B  
SEE "END BENT 2", SHEET 1 OF 5.

**NOTES**

TOP SURFACE AREAS OF THE END BENT CAP SHALL BE KEPT CLEAN AND FREE OF LAITANCE.

ROUGH FLOAT AND ROUGHEN THE TOP OF THE END BENT CAP UNDER END BENT DIAPHRAGM TO PROVIDE MIN. SURFACE AMPLITUDE OF 1/4", EXCEPT UNDER BEARING AREAS.

PROJECT NO. R-2707D  
CLEVELAND COUNTY  
STATION: 849+00.00 -L-

SHEET 4 OF 5

STATE OF NORTH CAROLINA  
DEPARTMENT OF TRANSPORTATION  
RALEIGH  
SUBSTRUCTURE

END BENT 2 DETAILS  
(STAGE I)  
(LEFT LANE)



REVISIONS						SHEET NO.
NO.	BY:	DATE:	NO.	BY:	DATE:	S5-51
1			3			TOTAL SHEETS
2			4			56

DOCUMENT NOT CONSIDERED FINAL UNLESS ALL SIGNATURES COMPLETED

5/9/2023 2:44:00 PM jHogenbush  
 5/9/2023 2:44:00 PM jHogenbush  
 5/9/2023 2:44:00 PM jHogenbush

Stantec Consulting Services Inc.  
801 Jones Franklin Road  
Suite 300  
Raleigh, NC 27606  
Tel. (919) 851-6866  
Fax. (919) 851-7024  
www.stantec.com  
License No. F-0672

DRAWN BY: J. B. GEILE DATE: 01/09/23  
CHECKED BY: X. X. XXXX DATE: 01/10/23  
DESIGN ENGINEER OF RECORD: S.S. POOLE DATE: 05/09/23