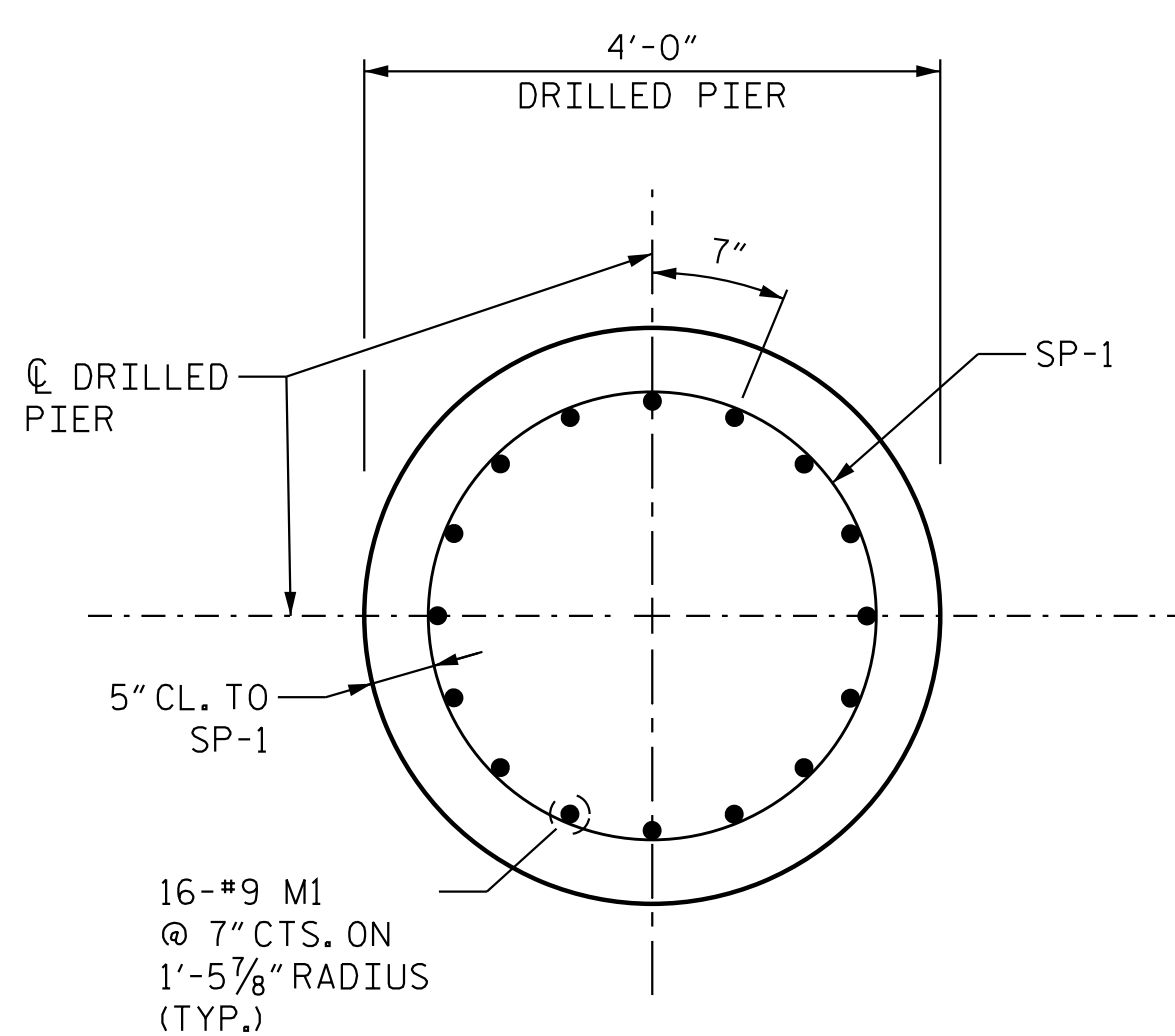
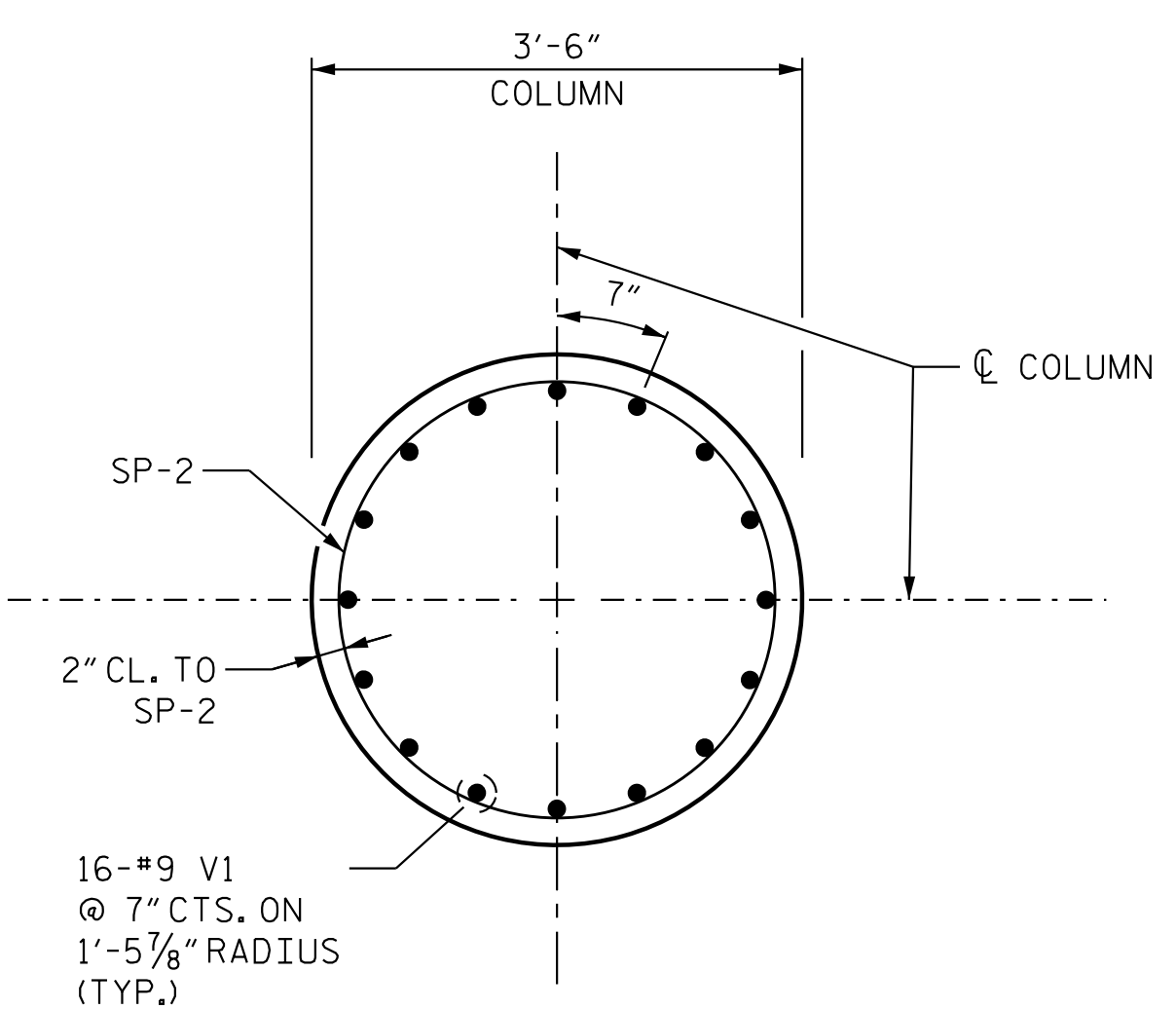


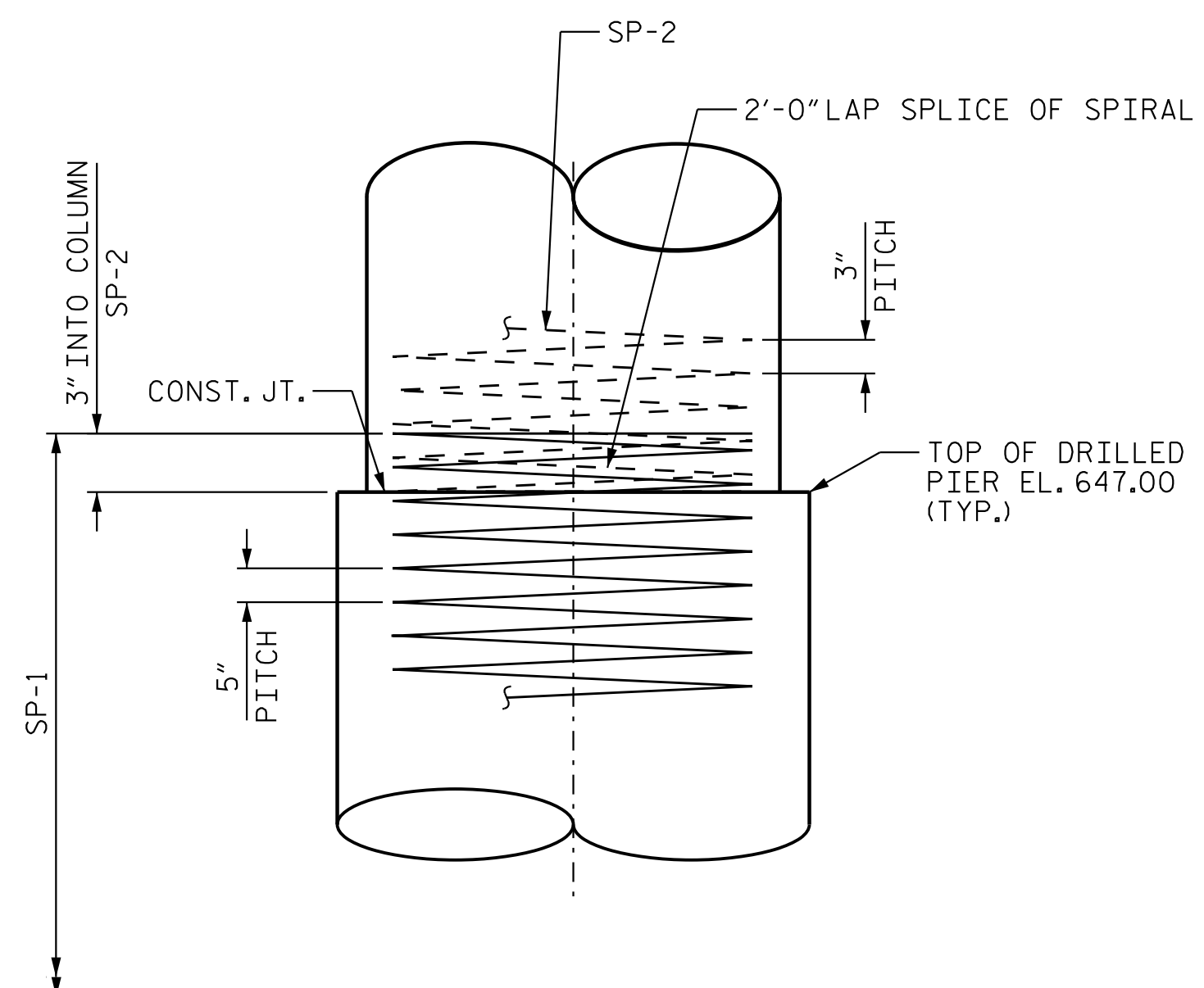
PLAN OF DRILLED PIERS



SECTION THRU DRILLED PIER  
TYPICAL ALL DRILLED PIERS

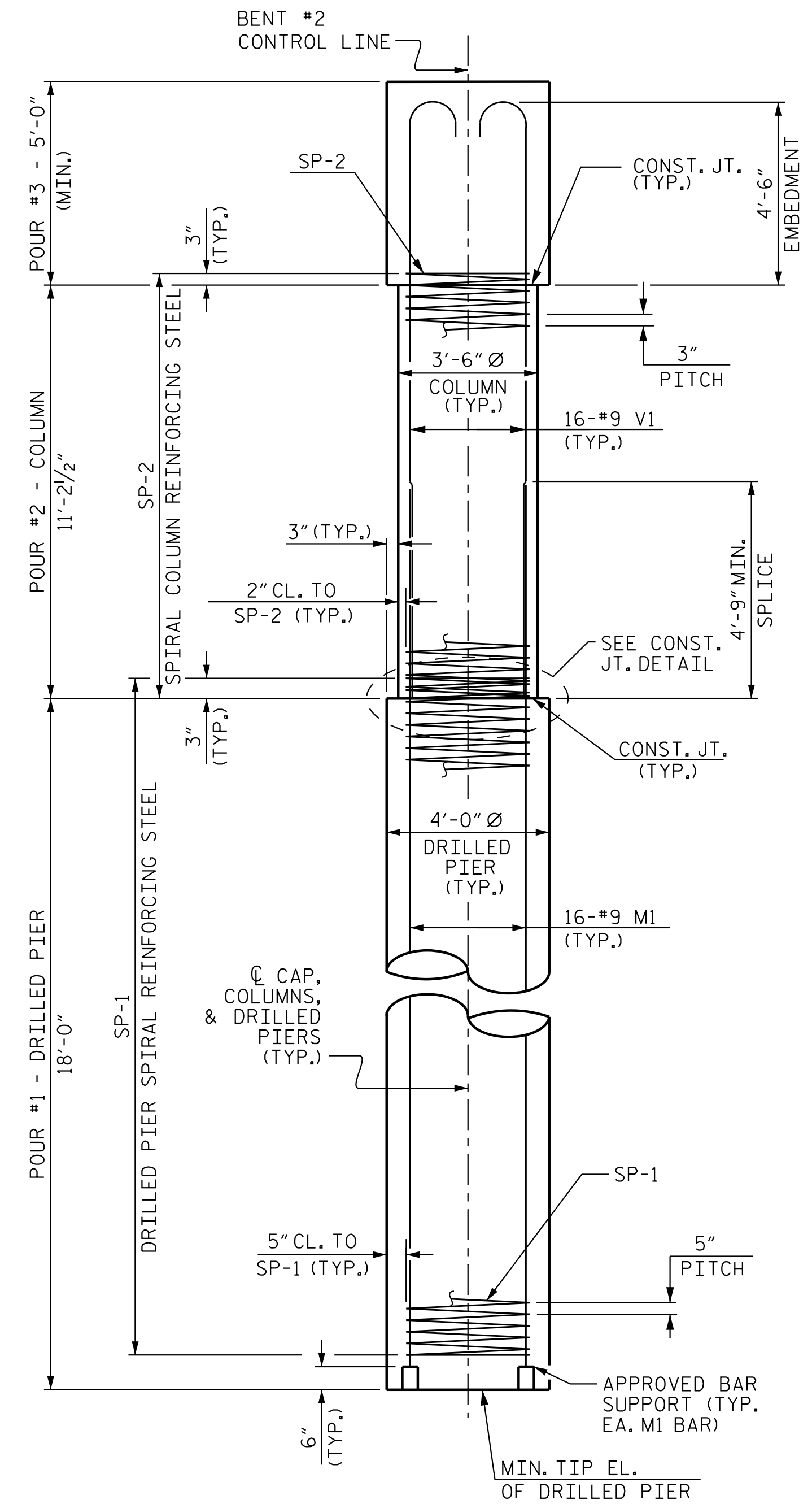


SECTION THRU COLUMN  
TYPICAL ALL COLUMNS



CONSTRUCTION JOINT DETAIL

LONGITUDINAL STEEL NOT SHOWN FOR CLARITY.

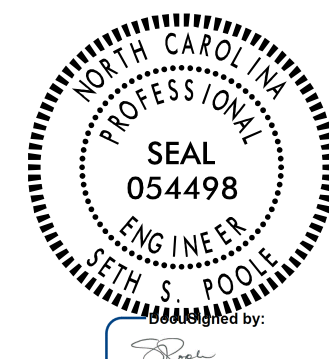


END ELEVATION

PROJECT NO. R-2707D  
CLEVELAND COUNTY  
STATION: 849+00.00 -L-

SHEET 3 OF 4

STATE OF NORTH CAROLINA  
DEPARTMENT OF TRANSPORTATION  
RALEIGH  
SUBSTRUCTURE  
BENT 2 DETAILS  
(LEFT LANE)



REVISIONS						SHEET NO. S5-46
NO.	BY:	DATE:	NO.	BY:	DATE:	
1			3			TOTAL SHEETS 56
2			4			

DOCUMENT NOT CONSIDERED FINAL UNLESS ALL SIGNATURES COMPLETED

Stantec Consulting Services Inc.  
801 Jones Franklin Road  
Suite 300  
Raleigh, NC 27606  
Tel. (919) 851-6866  
Fax. (919) 851-7024  
www.stantec.com  
License No. F-0672

DRAWN BY: J. B. GEILE DATE: 01/20/23  
CHECKED BY: S.S. POOLE DATE: 01/25/23  
DESIGN ENGINEER OF RECORD: S.S. POOLE DATE: 05/09/23

5/9/2023 2:13:42 PM jHogenbush  
c:\pvt\working\dm55461\R2707D-SMU-B203-220\02.dgn