

NOTES

AT ALL FIXED POINTS OF SUPPORT, NUTS FOR ANCHOR BOLTS ARE TO BE TIGHTENED FINGER TIGHT AND THEN BACKED OFF 1/2 TURN. THE THREAD OF THE NUT AND BOLT SHALL THEN BE BURRED WITH A SHARP POINTED TOOL.

STEEL SOLE PLATES, ANCHOR BOLTS, AND NUTS SHALL BE GALVANIZED IN ACCORDANCE WITH THE STANDARD SPECIFICATIONS.

PRIOR TO WELDING, GRIND THE GALVANIZED SURFACE OF THE PORTION OF THE EMBEDDED PLATE AND SOLE PLATE THAT ARE TO BE WELDED. AFTER WELDING, DAMAGED GALVANIZED SURFACES SHALL BE REPAIRED IN ACCORDANCE WITH THE STANDARD SPECIFICATIONS.

WHEN WELDING THE SOLE PLATE TO THE EMBEDDED PLATE IN THE GIRDER, USE TEMPERATURE INDICATING WAX PENS, OR OTHER SUITABLE MEANS, TO ENSURE THAT THE TEMPERATURE OF THE SOLE PLATE DOES NOT EXCEED 300°F. TEMPERATURES ABOVE THIS MAY DAMAGE THE ELASTOMER.

SOLE PLATE "P", BOLTS, AND NUTS SHALL BE INCLUDED IN THE PAY ITEM FOR PRESTRESSED CONCRETE GIRDERS.

ANCHOR BOLTS SHALL MEET THE REQUIREMENTS OF ASTM A449. NUTS SHALL MEET THE REQUIREMENTS OF AASHTO M291-DH OR AASHTO M292-2H. SHOP DRAWINGS ARE NOT REQUIRED FOR ANCHOR BOLTS AND NUTS. SHOP INSPECTION IS REQUIRED.

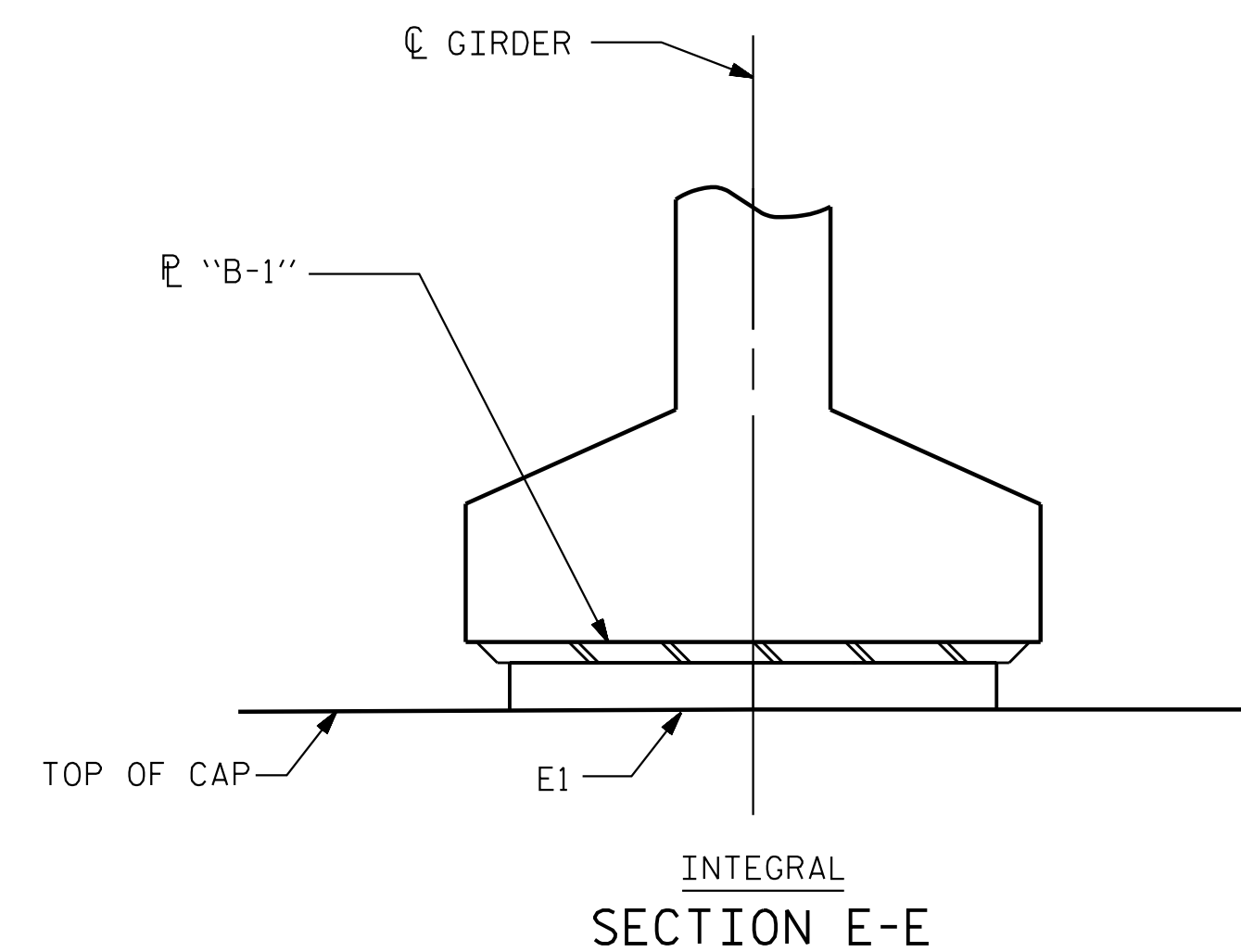
ALL SURFACES OF BEARING PLATES SHALL BE SMOOTH AND STRAIGHT.

THE ELASTOMER IN THE STEEL REINFORCED BEARINGS SHALL HAVE A SHEAR MODULUS OF 0.160 KSI, IN ACCORDANCE WITH AASHTO M251.

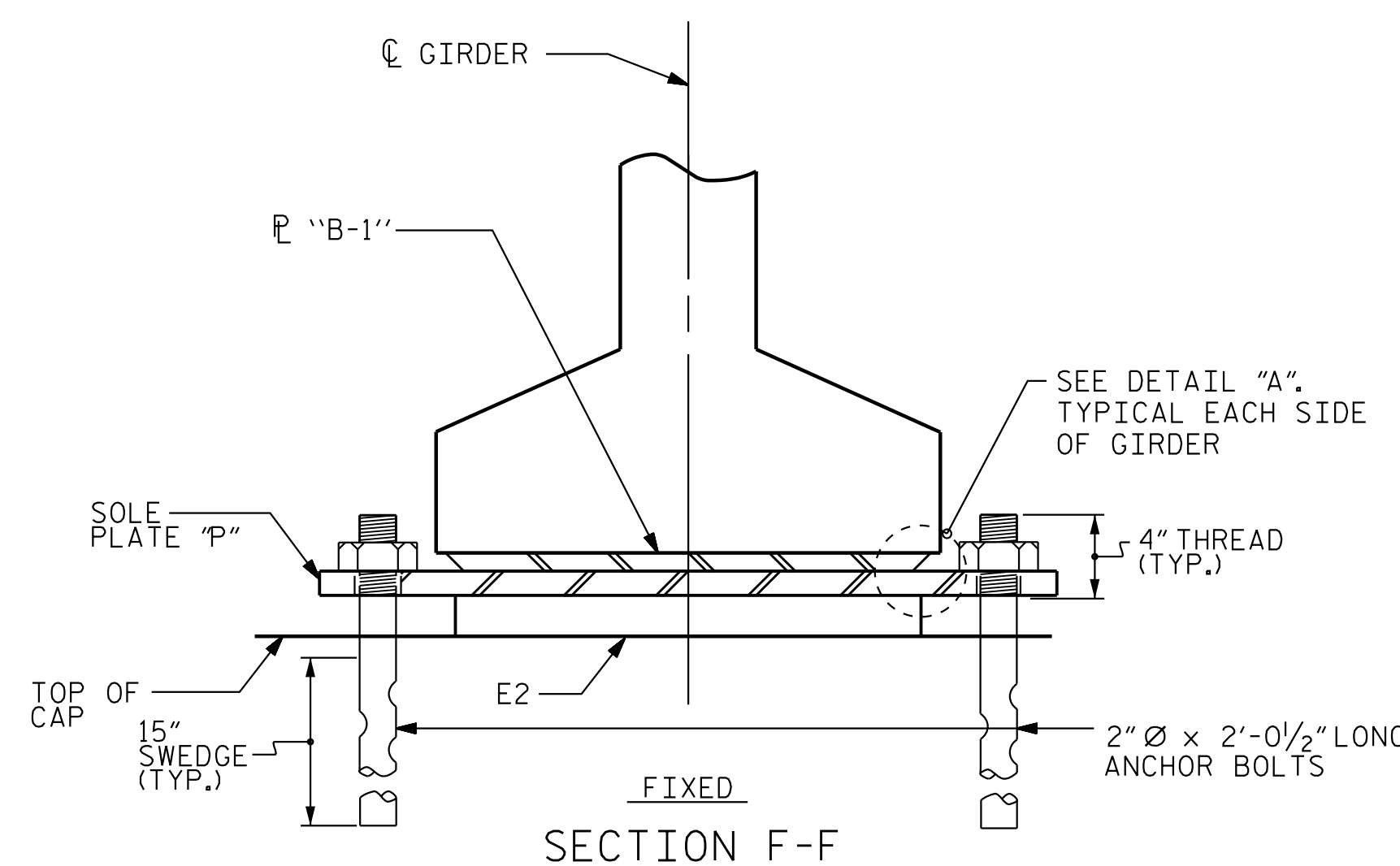
FOR STEEL REINFORCED ELASTOMERIC BEARINGS, SEE SPECIAL PROVISIONS.

ALL SOLE PLATES SHALL BE AASHTO M270 GRADE 36.

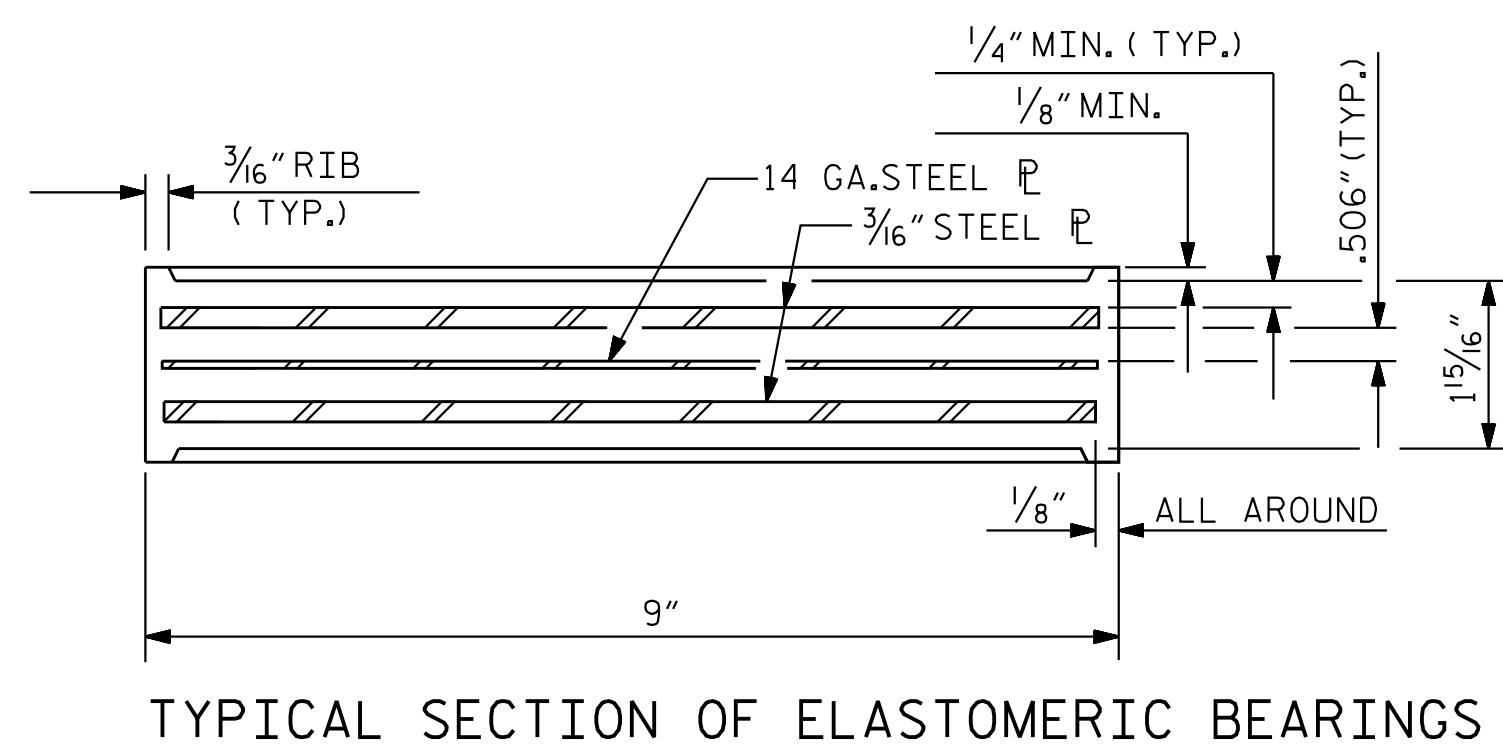
| MAXIMUM ALLOWABLE SERVICE LOADS | |
|---------------------------------|-------|
| D.L.+L.L. (NO IMPACT) | |
| TYPE IV | 225 k |
| TYPE VI | 420 k |



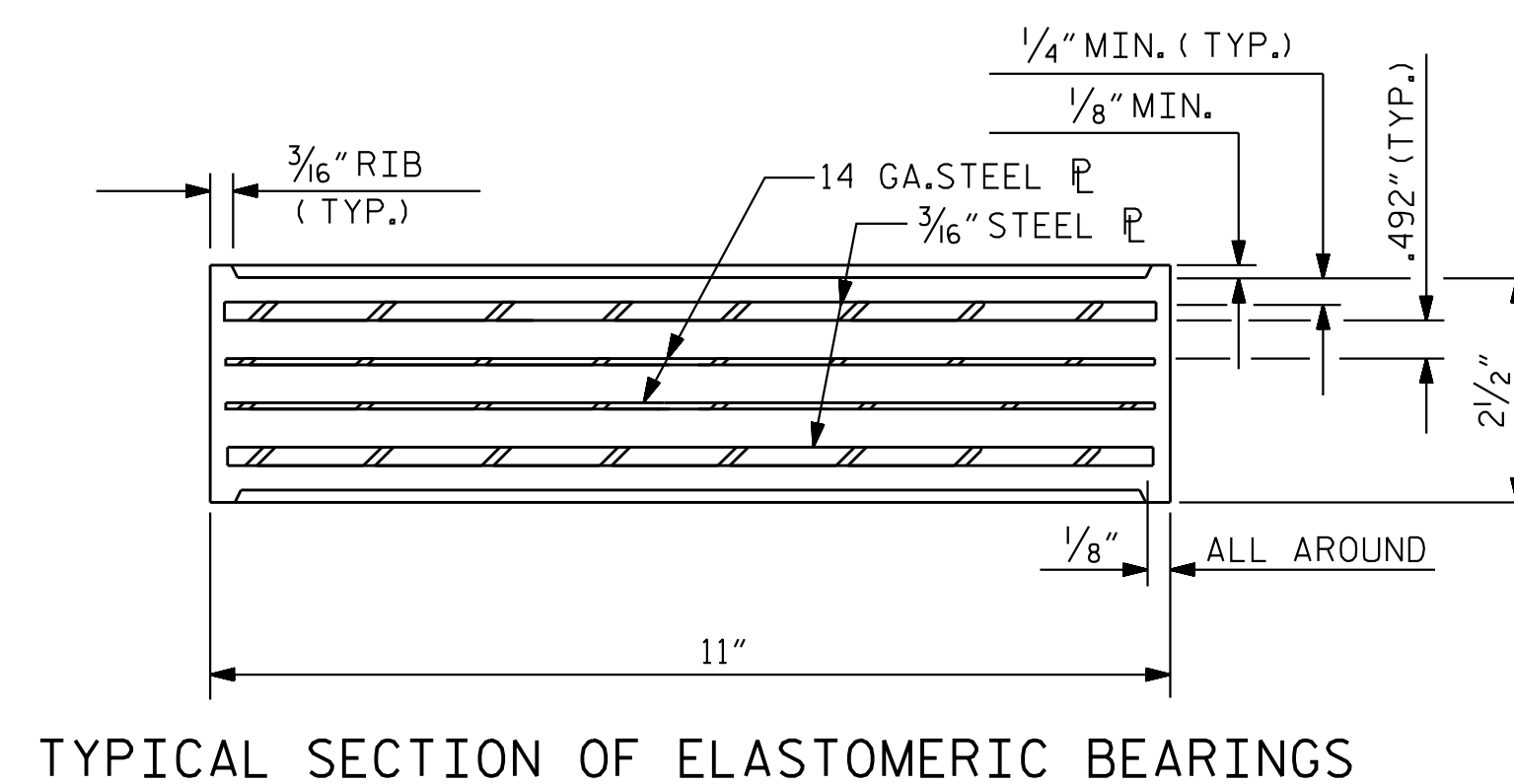
INTEGRAL SECTION E-E



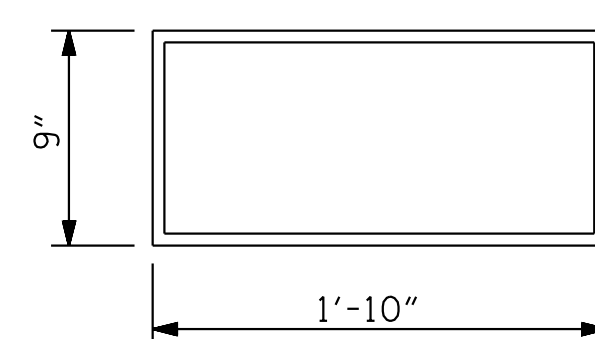
FIXED SECTION F-F



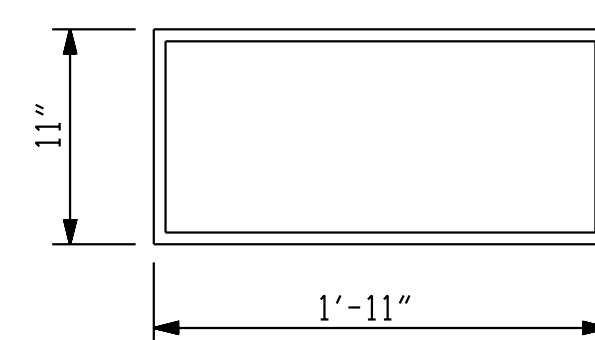
TYPICAL SECTION OF ELASTOMERIC BEARINGS



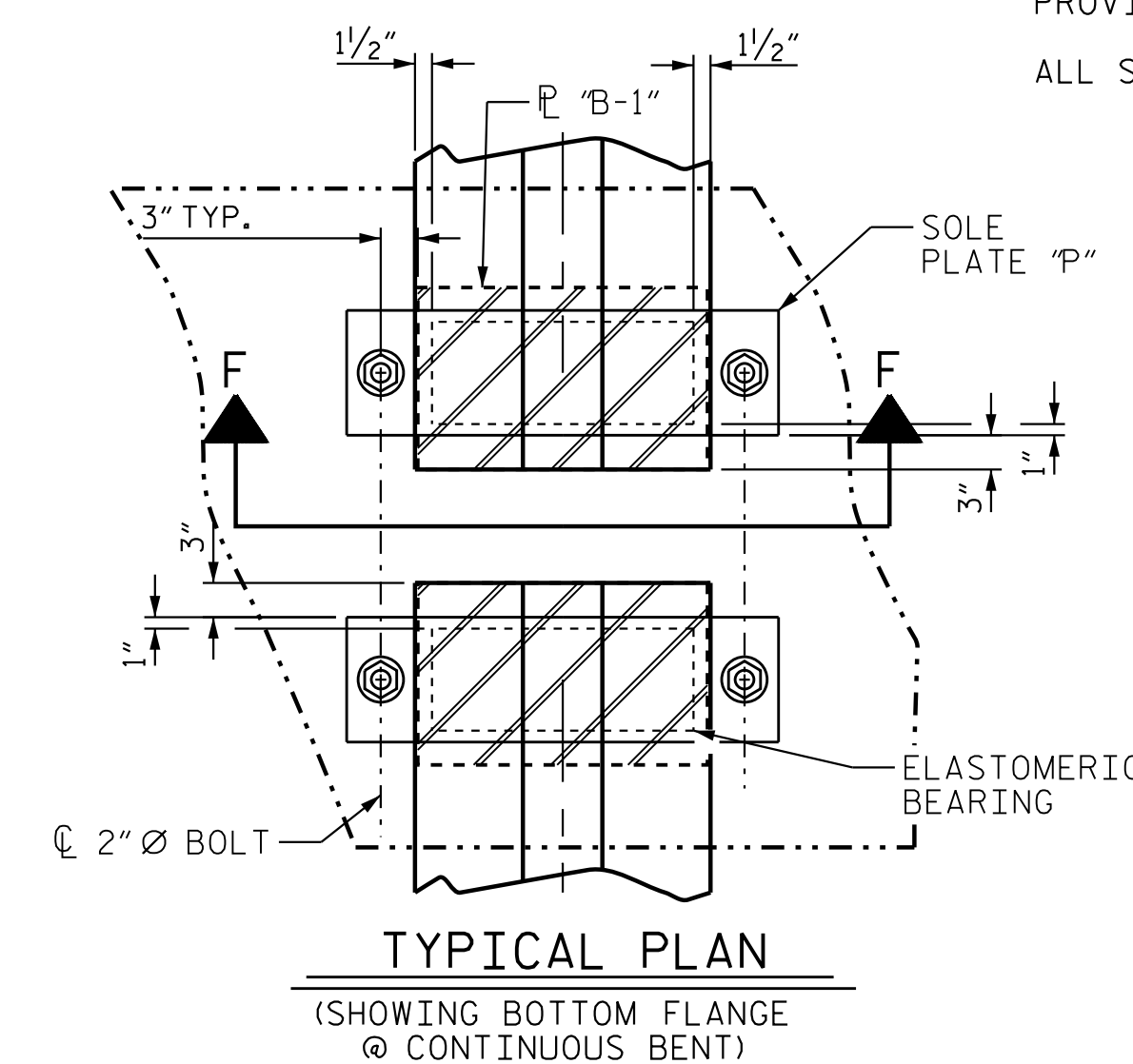
TYPICAL SECTION OF ELASTOMERIC BEARINGS



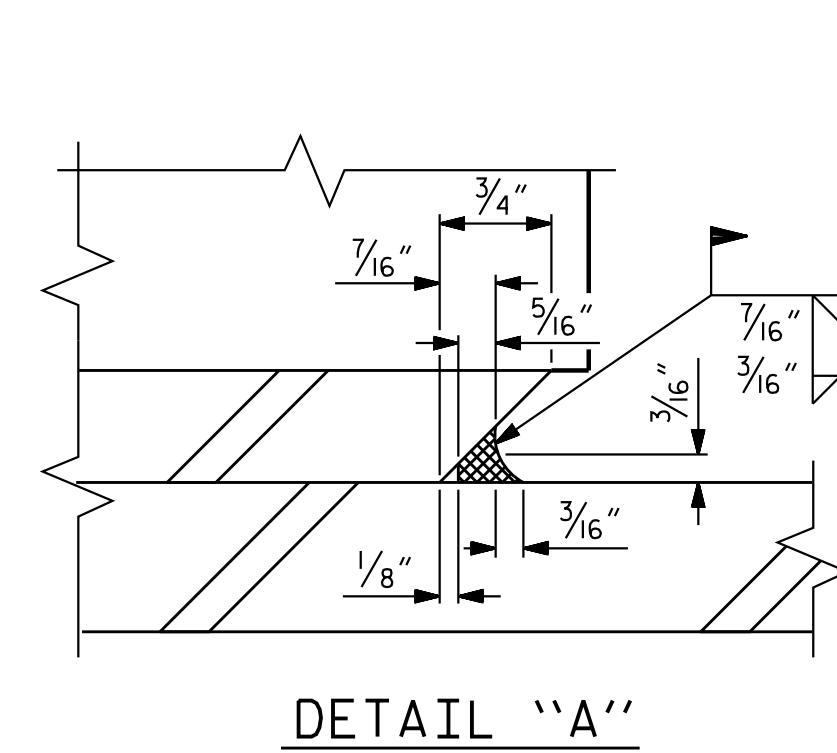
E1 (16 REQ'D)
PLAN VIEW OF ELASTOMERIC BEARING
TYPE IV



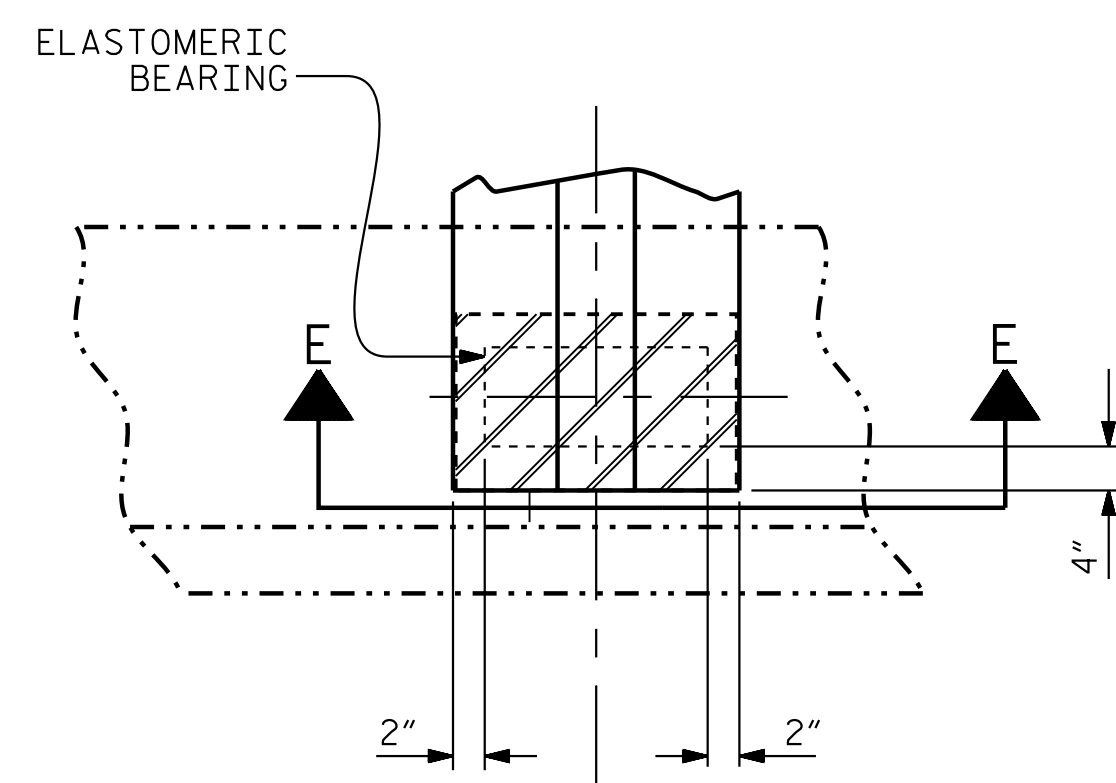
E2 (32 REQ'D)
PLAN VIEW OF ELASTOMERIC BEARING
TYPE VI



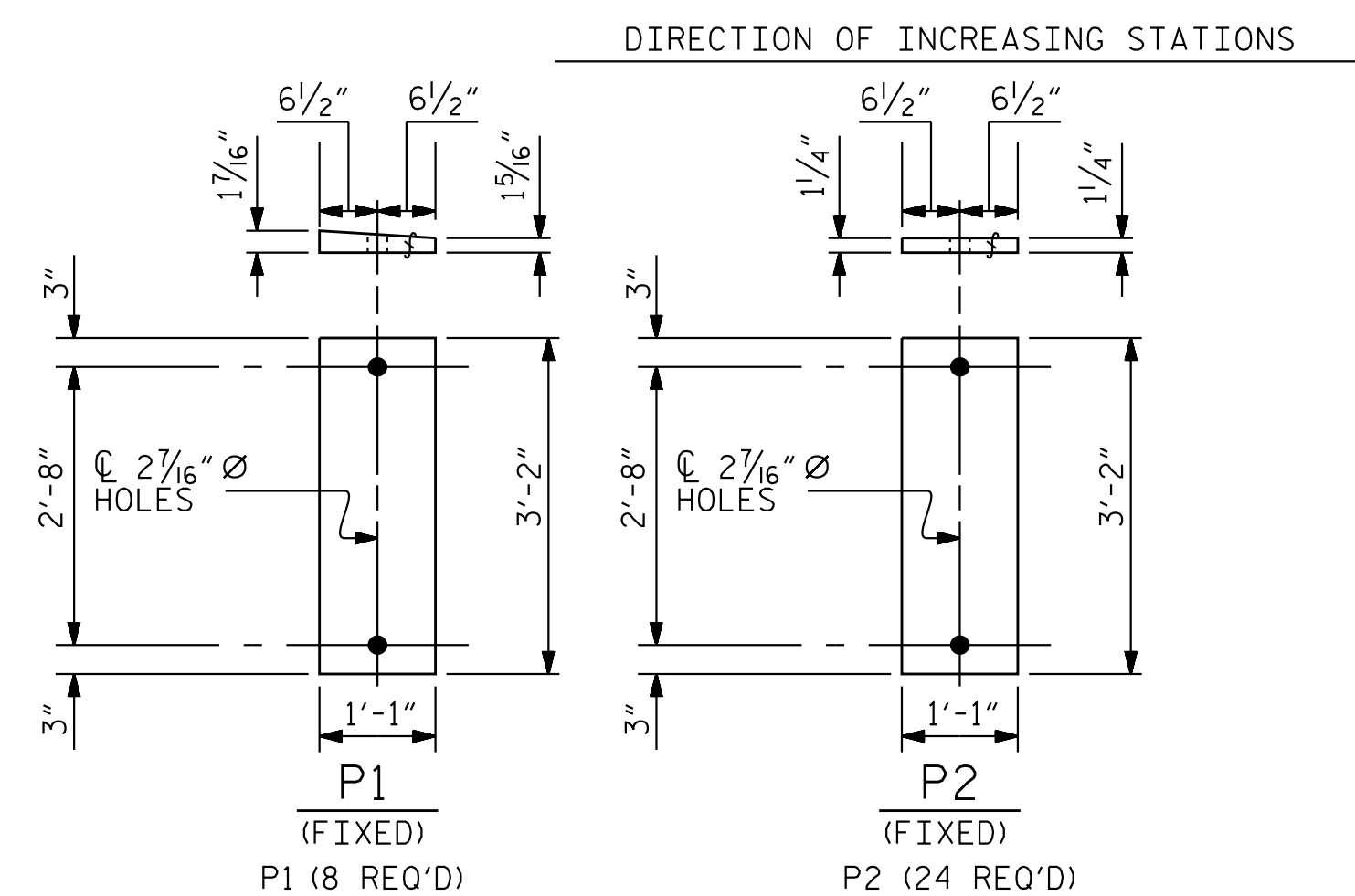
TYPICAL PLAN
(SHOWING BOTTOM FLANGE @ CONTINUOUS BENT)



DETAIL "A"



TYPICAL PLAN
(SHOWING BOTTOM FLANGE @ INTEGRAL END BENT)



SOLE PLATE DETAILS ("P")

PROJECT NO. R-2707D
CLEVELAND COUNTY
STATION: 849+00.00 -L-



STATE OF NORTH CAROLINA
DEPARTMENT OF TRANSPORTATION
RALEIGH
ELASTOMERIC BEARING DETAILS
PRESTRESSED CONCRETE GIRDER SUPERSTRUCTURE
(LEFT LANE)

| REVISIONS | | | | | | SHEET NO. |
|-----------|-----|-------|-----|-----|-------|--------------|
| NO. | BY: | DATE: | NO. | BY: | DATE: | S5-27 |
| 1 | | | 3 | | | TOTAL SHEETS |
| 2 | | | 4 | | | 56 |

DOCUMENT NOT CONSIDERED FINAL UNLESS ALL SIGNATURES COMPLETED

5/9/2023 2:09:28 PM jHagenbush

Stantec Consulting Services Inc.
801 Jones Franklin Road
Suite 300
Raleigh, NC 27606
Tel. (919) 851-6866
Fax. (919) 851-7024
www.stantec.com
License No. F-0672

DRAWN BY: J. E. HAGENBUSH DATE: 10/10/18
CHECKED BY: S. S. POOLE DATE: 12/10/22
DESIGN ENGINEER OF RECORD: S.S. POOLE DATE: 05/09/23