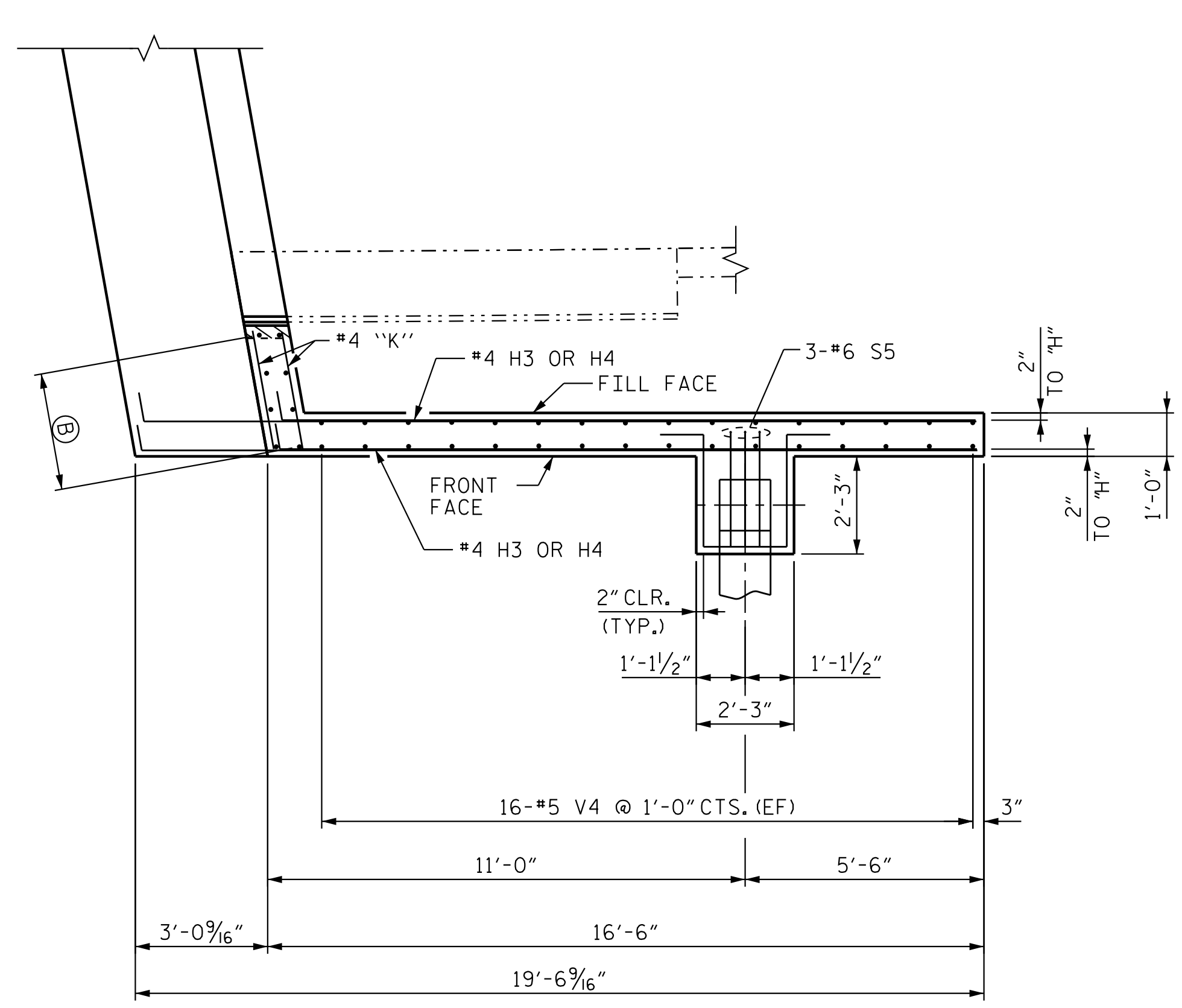


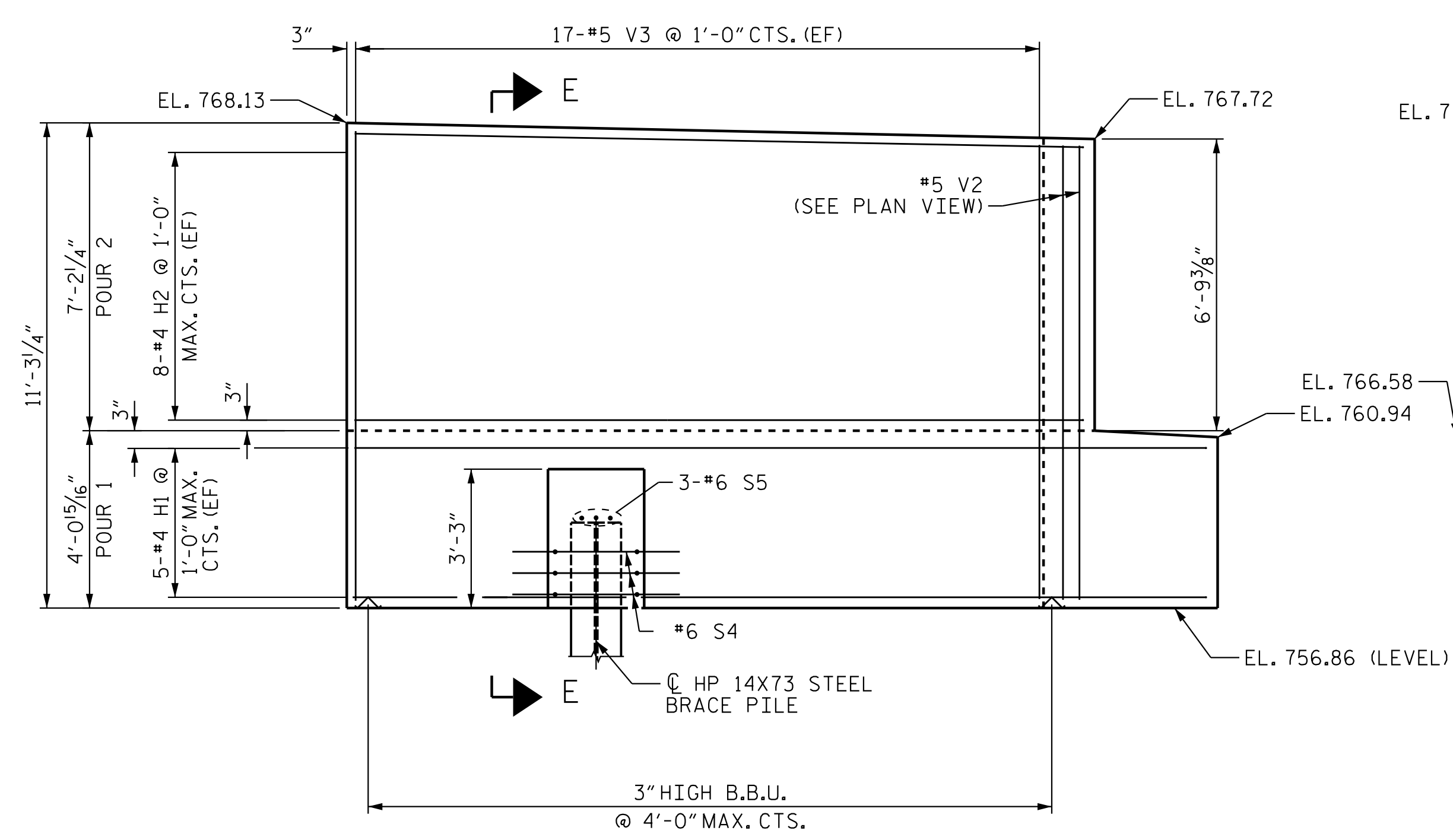
Ⓐ 8-#5 V2 @ 1'-0" MAX. CTS. (EF) (SPA. AS SHOWN)

PLAN OF LEFT WING (W3)

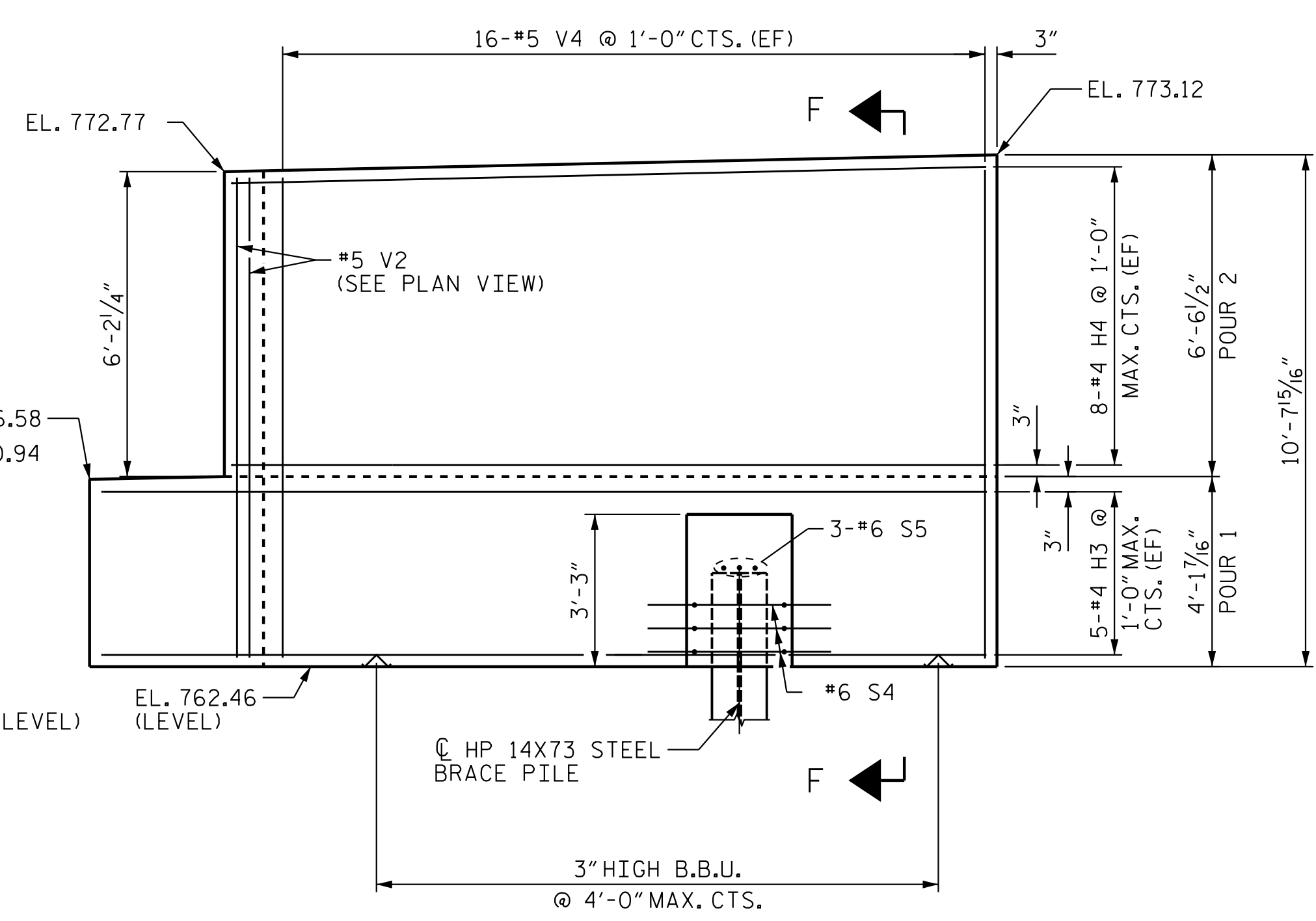


Ⓑ 8-#5 V2 @ 1'-0" MAX. CTS. (EF) (SPA. AS SHOWN)

PLAN OF RIGHT WING (W4)

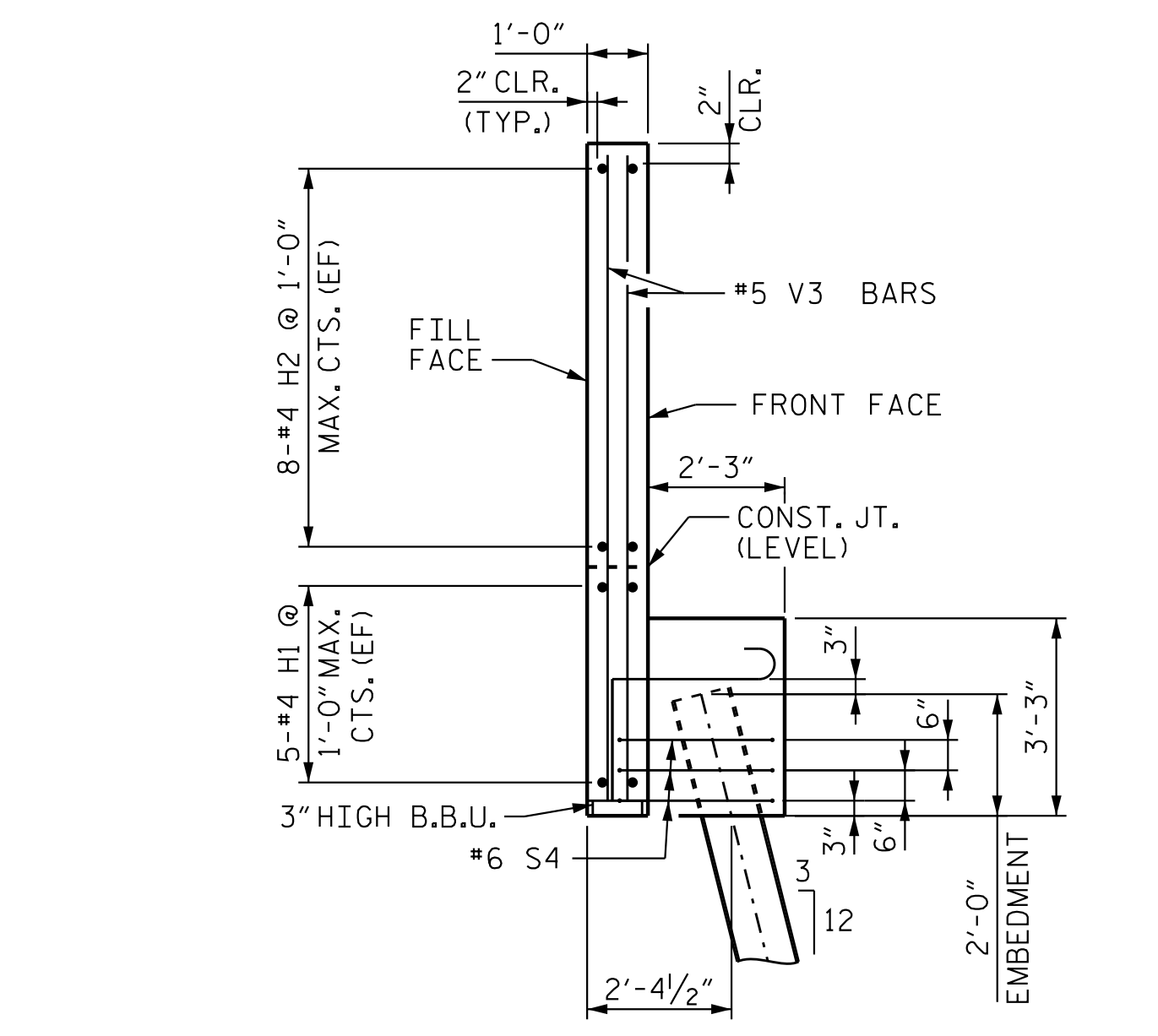


ELEVATION OF LEFT WING (W3)

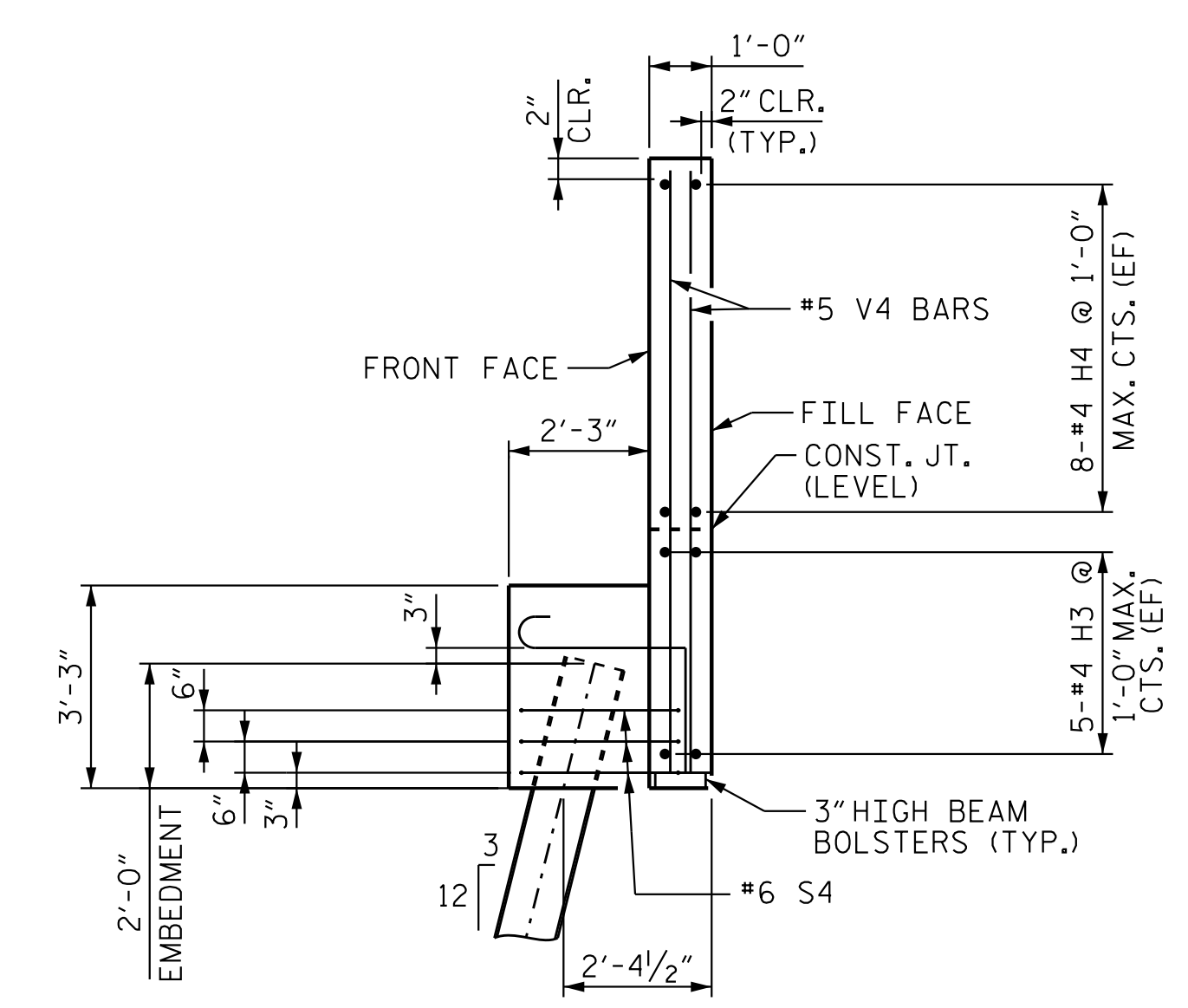


ELEVATION OF RIGHT WING (W4)

(EF) DENOTES EACH FACE



SECTION E-E



SECTION F-F

**PRELIMINARY PLANS  
DO NOT USE FOR CONSTRUCTION**

PROJECT NO. R-2707  
CLEVELAND COUNTY  
STATION: 36+78.38 -RAMP A-

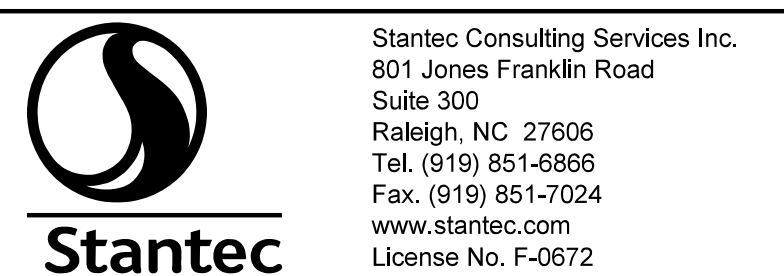
SHEET 3 OF 4

STATE OF NORTH CAROLINA  
DEPARTMENT OF TRANSPORTATION  
RALEIGH  
SUBSTRUCTURE  
END BENT 2  
WING WALL DETAILS



DocuSigned by:  
Victor E. Fraga  
12/02/2023  
DOCUMENT NOT CONSIDERED  
FINAL UNLESS ALL  
SIGNATURES COMPLETED

REVISIONS						SHEET NO. S4-38
NO.	BY:	DATE:	NO.	BY:	DATE:	
1			3			TOTAL SHEETS 43
2			4			



DRAWN BY: J. B. GEILE DATE: 12/19/22  
CHECKED BY: T. R. DUDECK DATE: 01/30/23  
DESIGN ENGINEER OF RECORD: V. E. FRAGA DATE: 05/09/23

c:\Users\VFraga\Documents\p\_w\_working\jms55432\R2707D\_SML\_E203\_220491.dgn 2023-05-05 10:21:45 vfraga