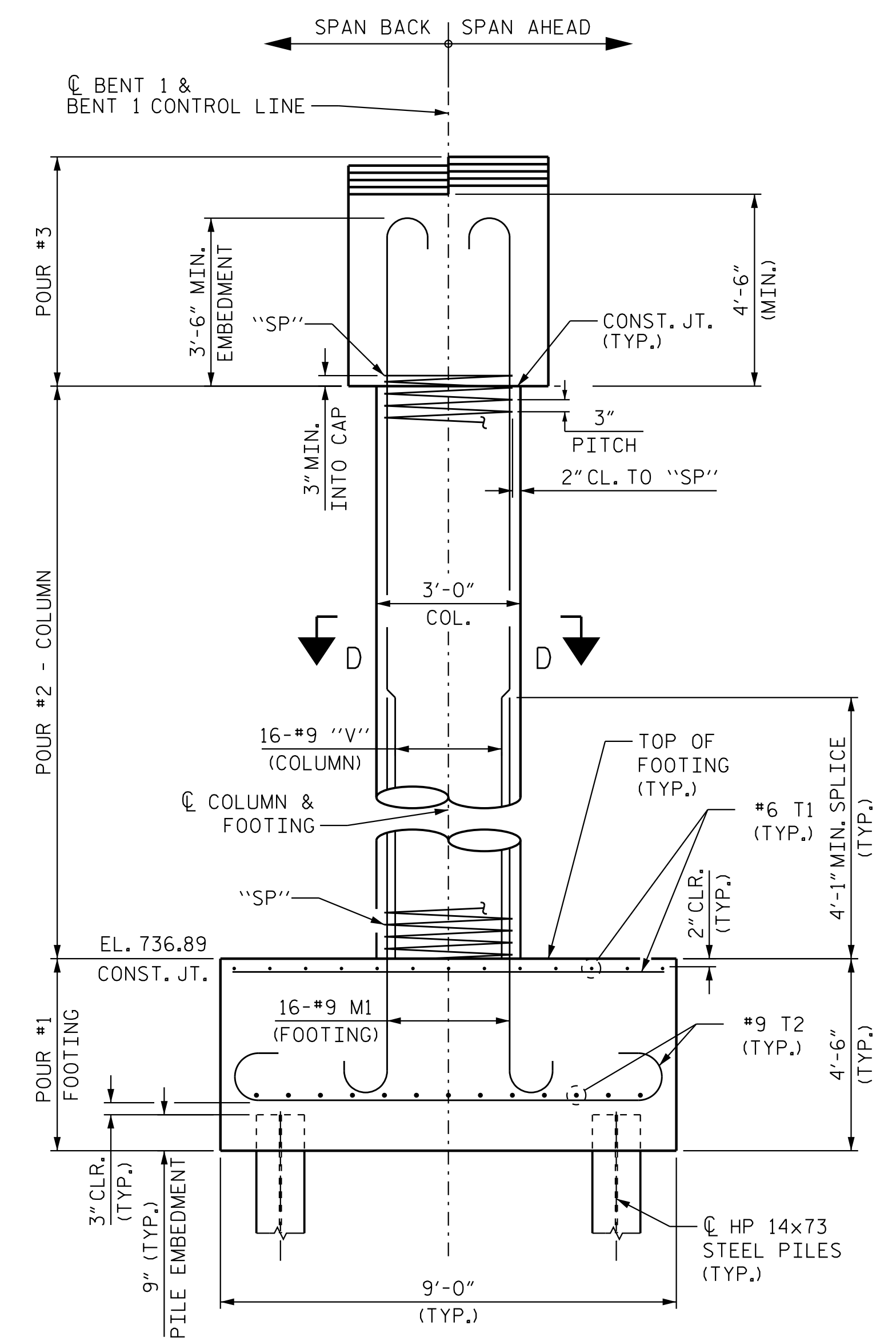


4 SPA. @ 18'-6" = 74'-0"

COLUMN HEIGHTS			
COLUMN	CL. HEIGHT	LT. HEIGHT	RT. HEIGHT
1	16'-1 ³ / ₁₆ "	16'-0 ⁵ / ₈ "	16'-3 ¹ / ₁₆ "
2	17'-5"	17'-3 ³ / ₁₆ "	17'-6 ¹ / ₄ "
3	18'-8 ³ / ₁₆ "	18'-6 ¹⁵ / ₁₆ "	18'-9 ⁷ / ₁₆ "
4	19'-11 ³ / ₈ "	19'-10 ¹ / ₈ "	20'-0 ³ / ₁₆ "
5	21'-2 ¹ / ₂ "	21'-1 ⁵ / ₁₆ "	21'-3 ³ / ₄ "



END ELEVATION

**PRELIMINARY PLANS
DO NOT USE FOR CONSTRUCTION**

PROJECT NO. R-2707D
CLEVELAND COUNTY
 STATION: 36+78.38 -RAMP A-

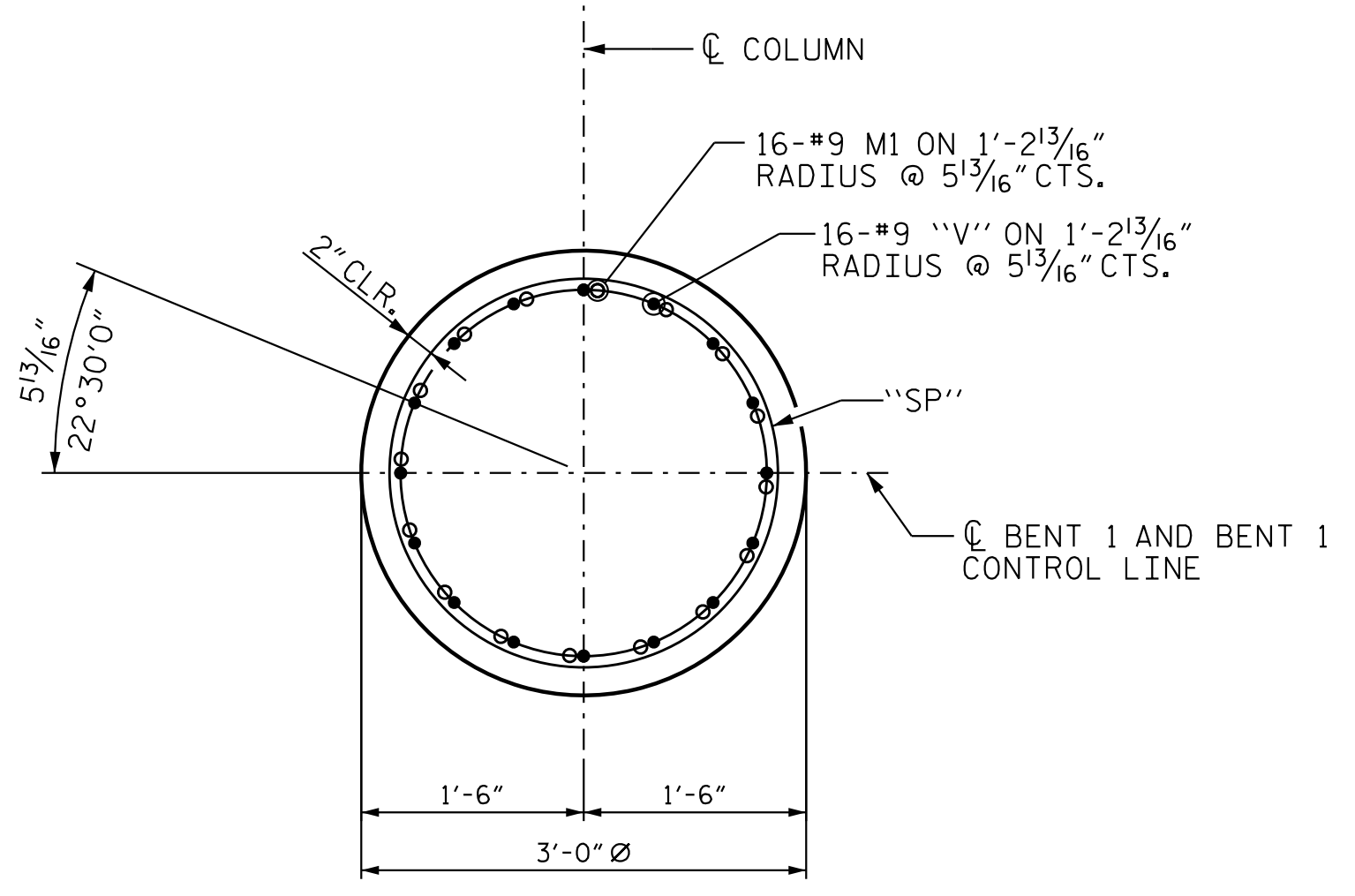
SHEET 3 OF 4

STATE OF NORTH CAROLINA
 DEPARTMENT OF TRANSPORTATION
 RALEIGH
 SUBSTRUCTURE
 BENT 1 DETAILS

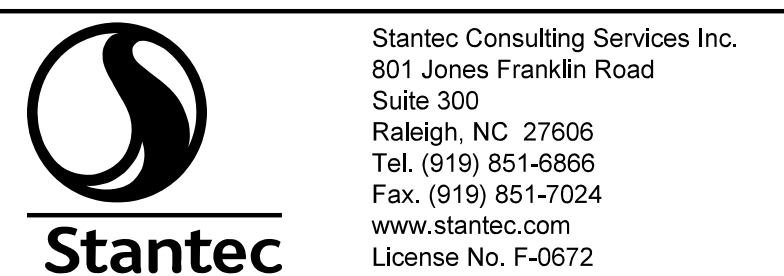


DocuSigned by:
Victor E. Fraga
 DOCUMENT NOT CONSIDERED
 FINAL UNLESS ALL
 SIGNATURES COMPLETED

REVISIONS						SHEET NO. S4-34
NO.	BY:	DATE:	NO.	BY:	DATE:	
1			3			TOTAL SHEETS 43
2			4			



SECTION D-D



DRAWN BY : J. B. GEILE DATE : 12/20/23
 CHECKED BY : M. B. ISENHOUR DATE : 01/23/23
 DESIGN ENGINEER OF RECORD: V. E. FRAGA DATE : 05/09/23

c:\Users\vfraga\documents\p_w_working\jms55432\R2707D_SMU_B103_220491.dgn
 2023-05-05 10:21:27 vfraga