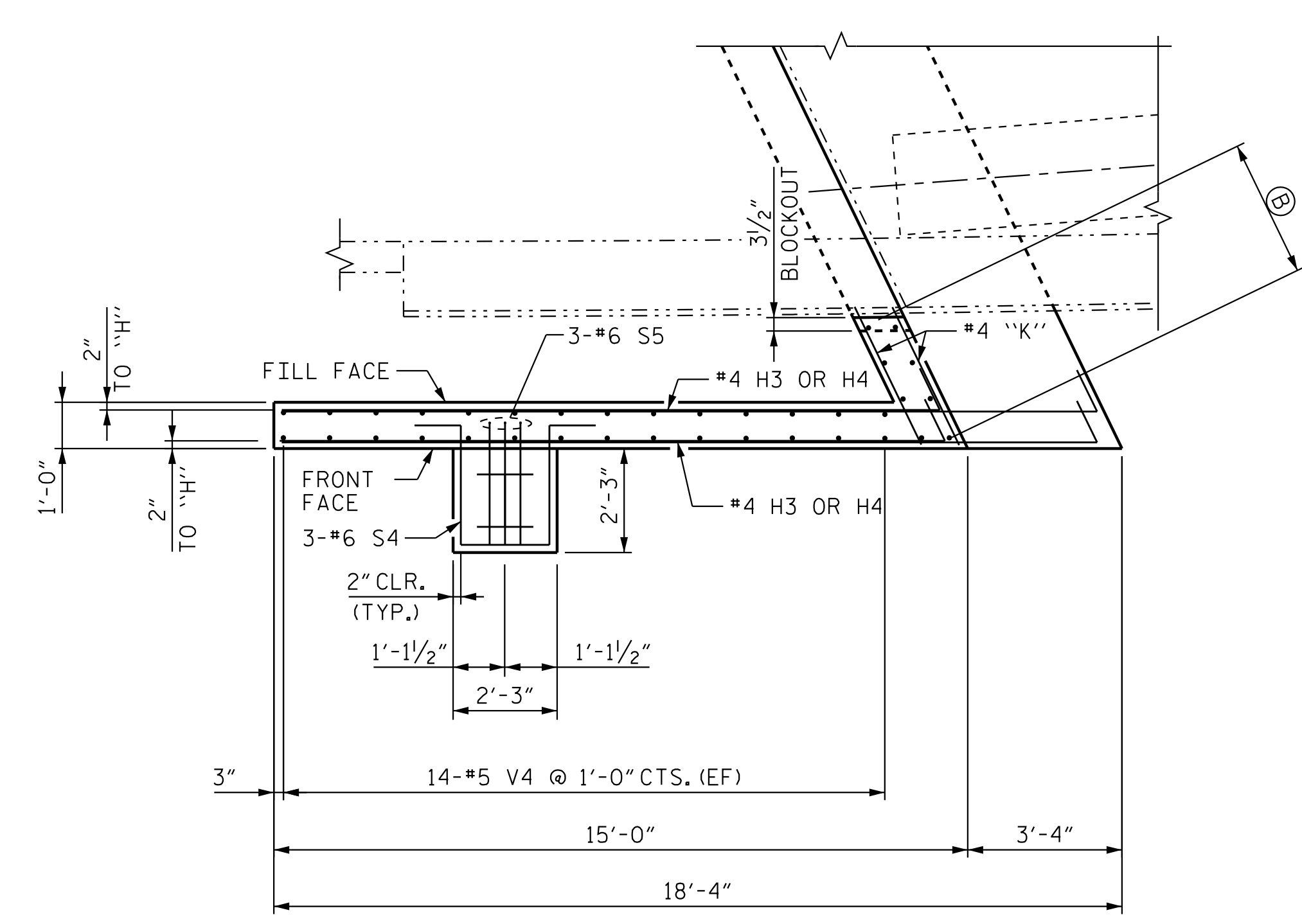


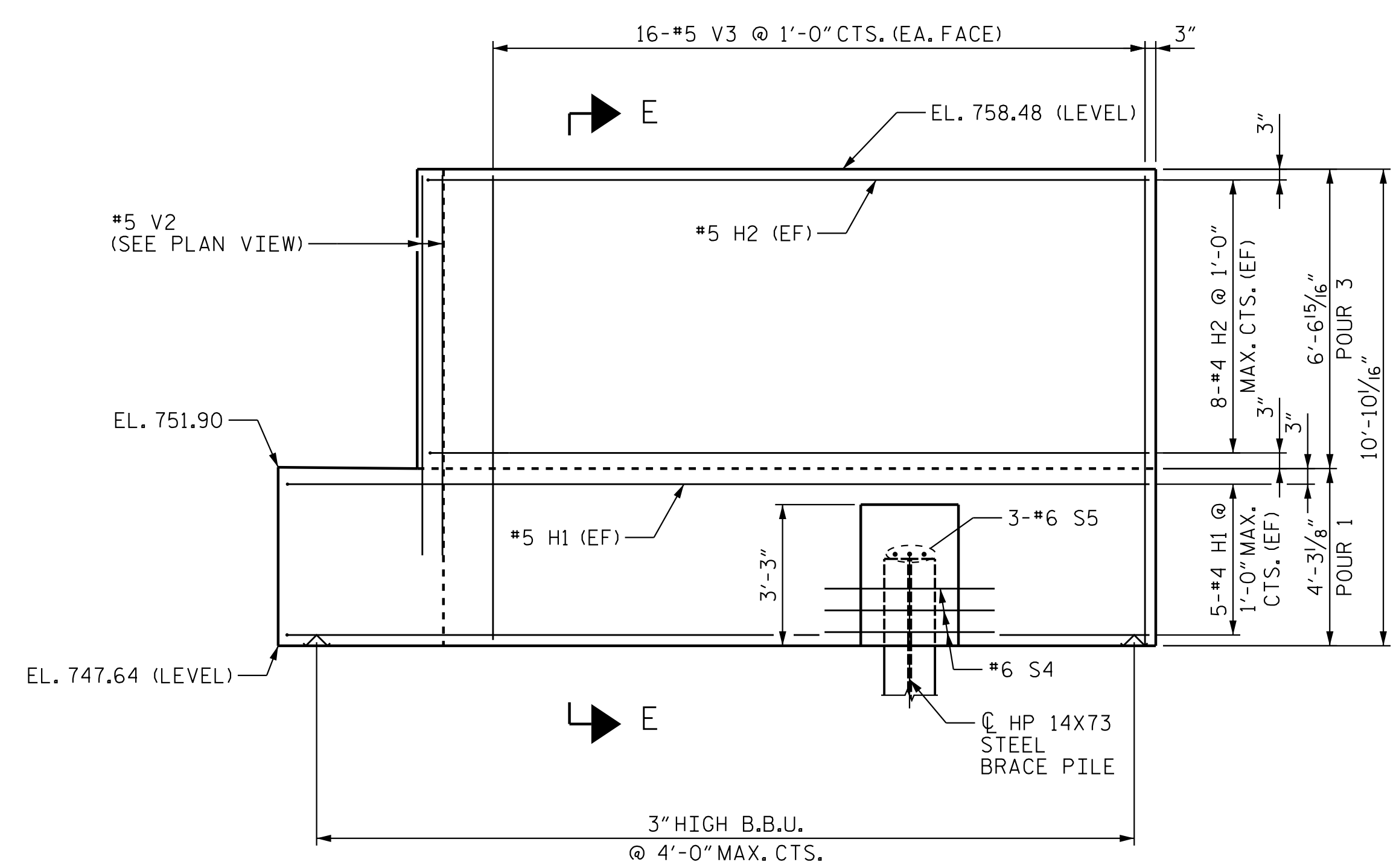
Ⓐ 8-#5 V2 @ 1'-0" MAX. CTS. (EF) (SPA. AS SHOWN)

PLAN OF LEFT WING (W1)

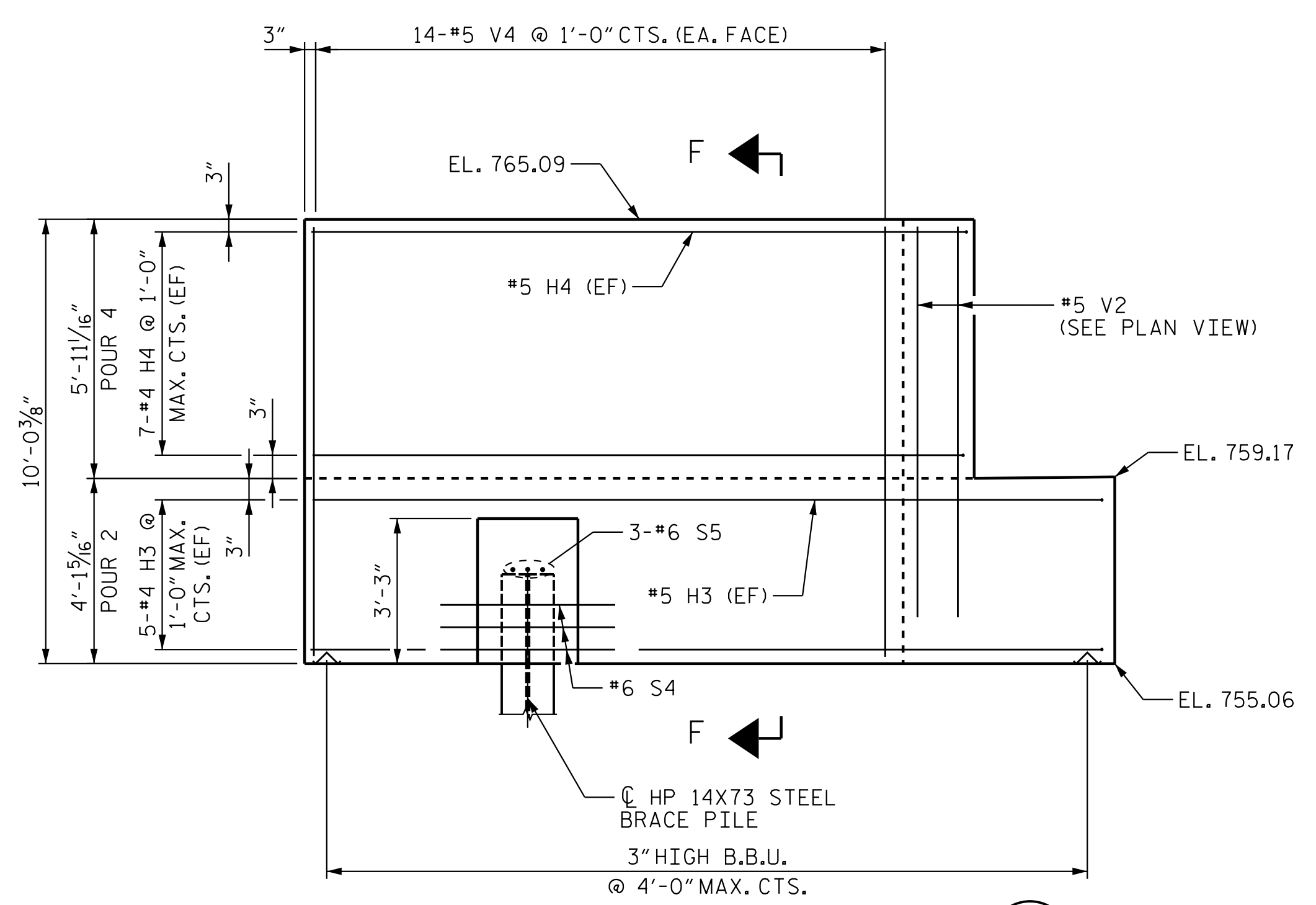


Ⓑ 8-#5 V2 @ 1'-0" MAX. CTS. (EF) (SPA. AS SHOWN)

PLAN OF RIGHT WING (W2)

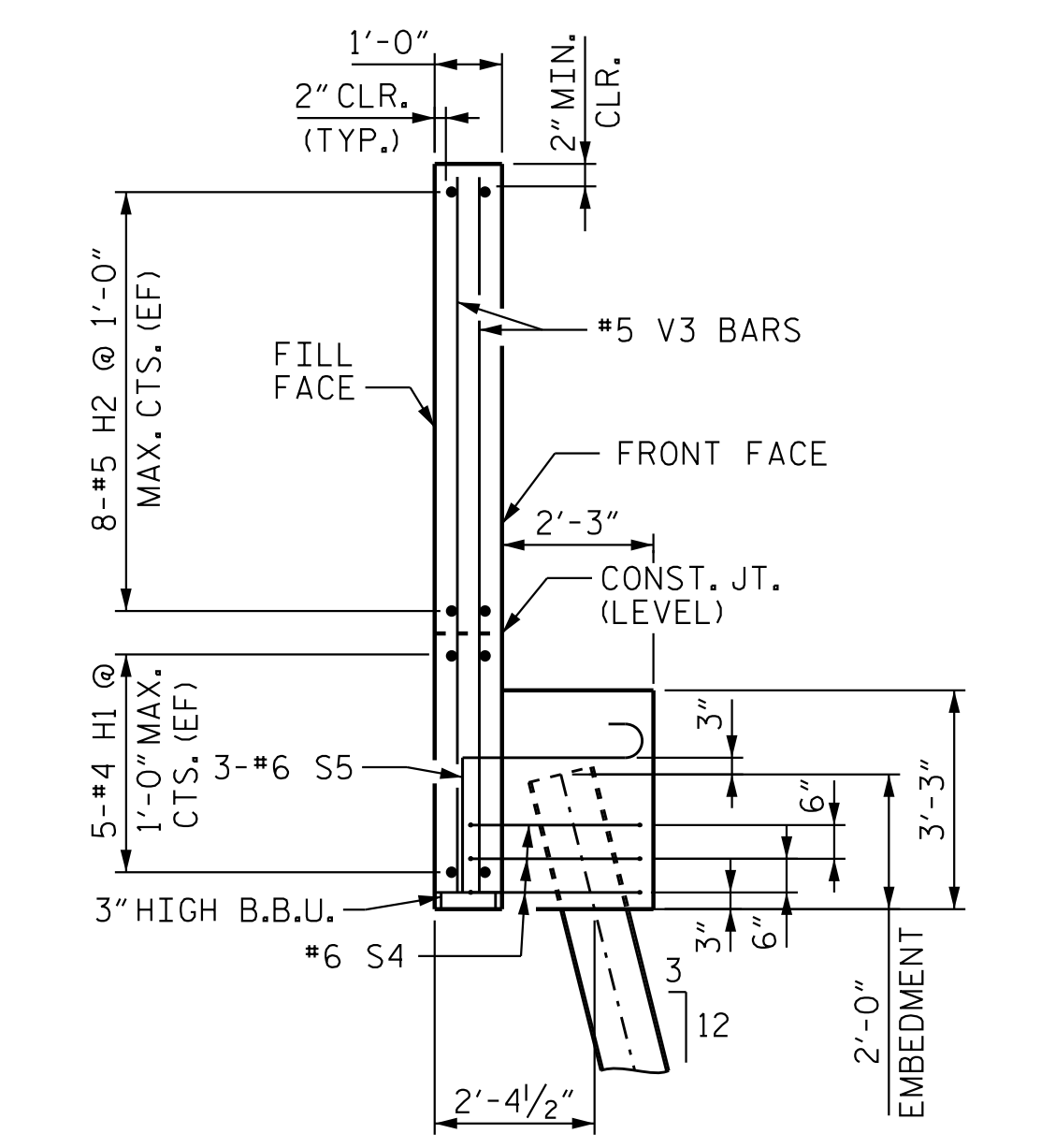


ELEVATION OF LEFT WING (W1)

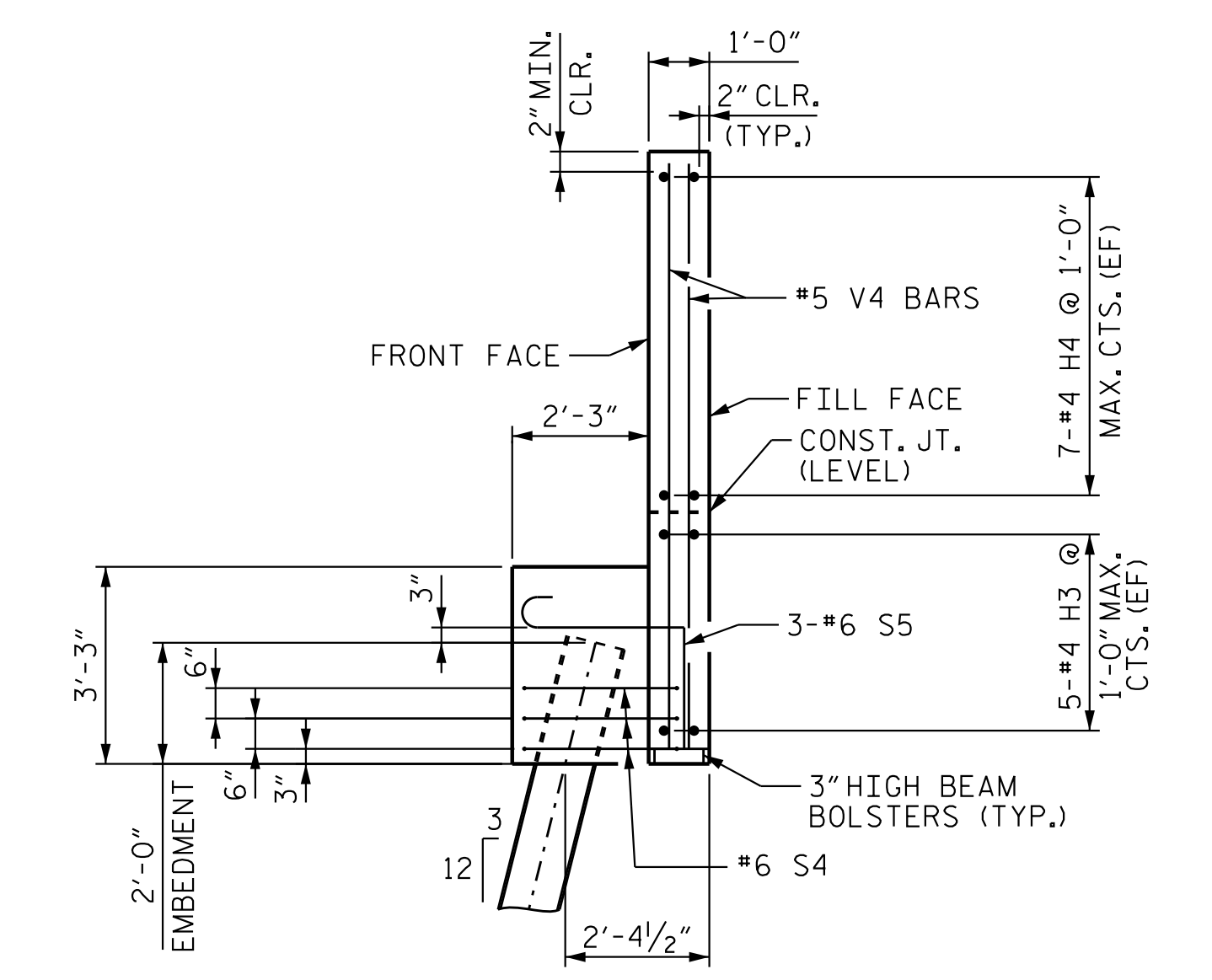


ELEVATION OF RIGHT WING (W2)

(EF) DENOTES EACH FACE.



SECTION E-E



SECTION F-F

**PRELIMINARY PLANS
DO NOT USE FOR CONSTRUCTION**

PROJECT NO. R-2707D
CLEVELAND COUNTY
STATION: 36+78.38 -RAMP A-

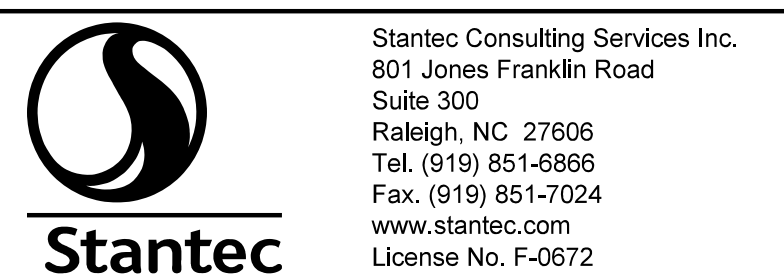
SHEET 3 OF 4

STATE OF NORTH CAROLINA
DEPARTMENT OF TRANSPORTATION
RALEIGH
SUBSTRUCTURE
END BENT 1
WING WALL DETAILS



REVISIONS					
NO.	BY:	DATE:	NO.	BY:	DATE:
1			3		
2			4		

SHEET NO.	S4-30
TOTAL SHEETS	43



DRAWN BY: J. B. GEILE DATE: 12/15/22
CHECKED BY: V. E. FRAGA DATE: 01/26/23
DESIGN ENGINEER OF RECORD: V. E. FRAGA DATE: 05/09/23

c:\Users\jvfraga\documents\p_w_working\jms55432\R2707D_SMU_EI03_220491.dgn
 2023-05-05 10:21:42 vfraga