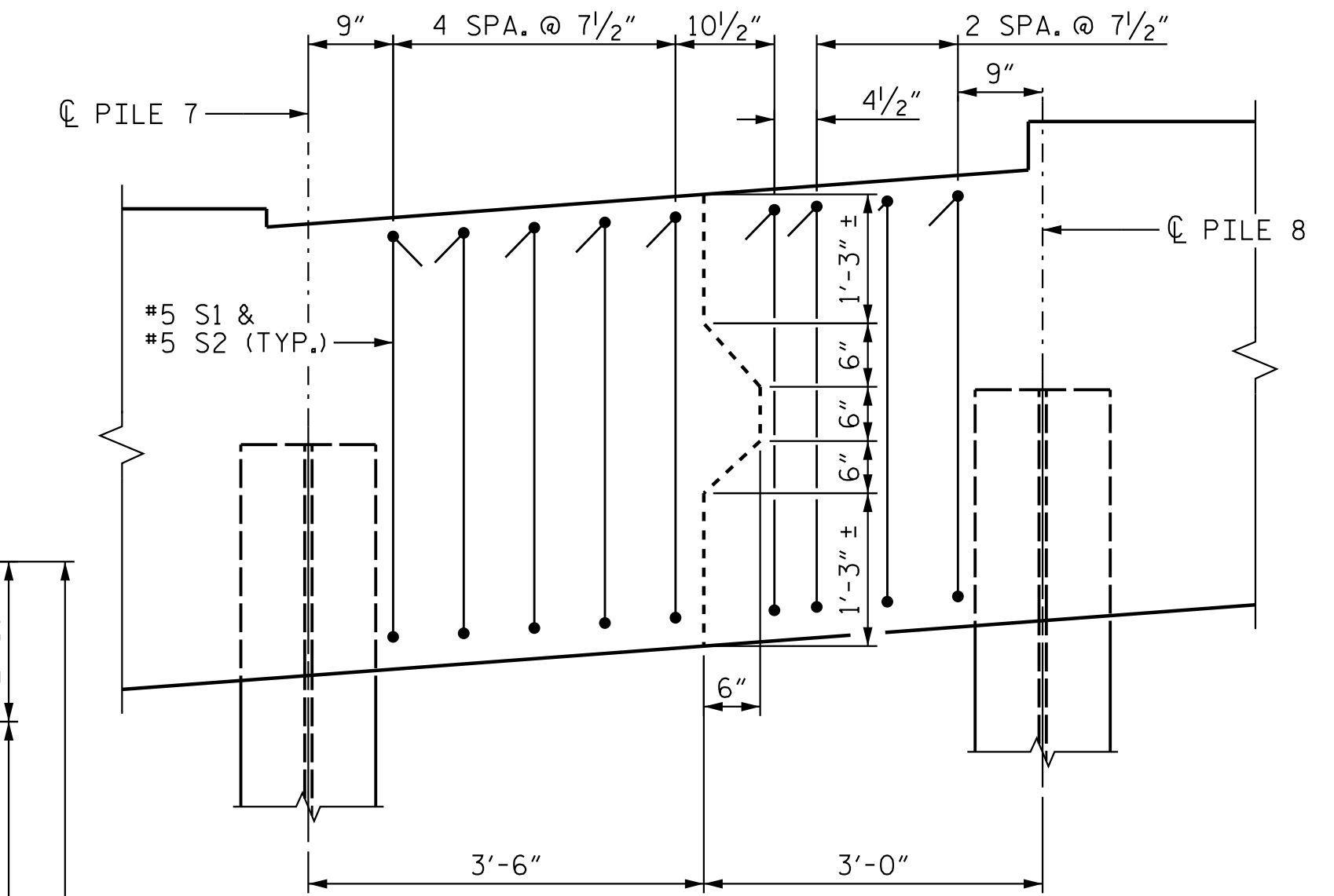


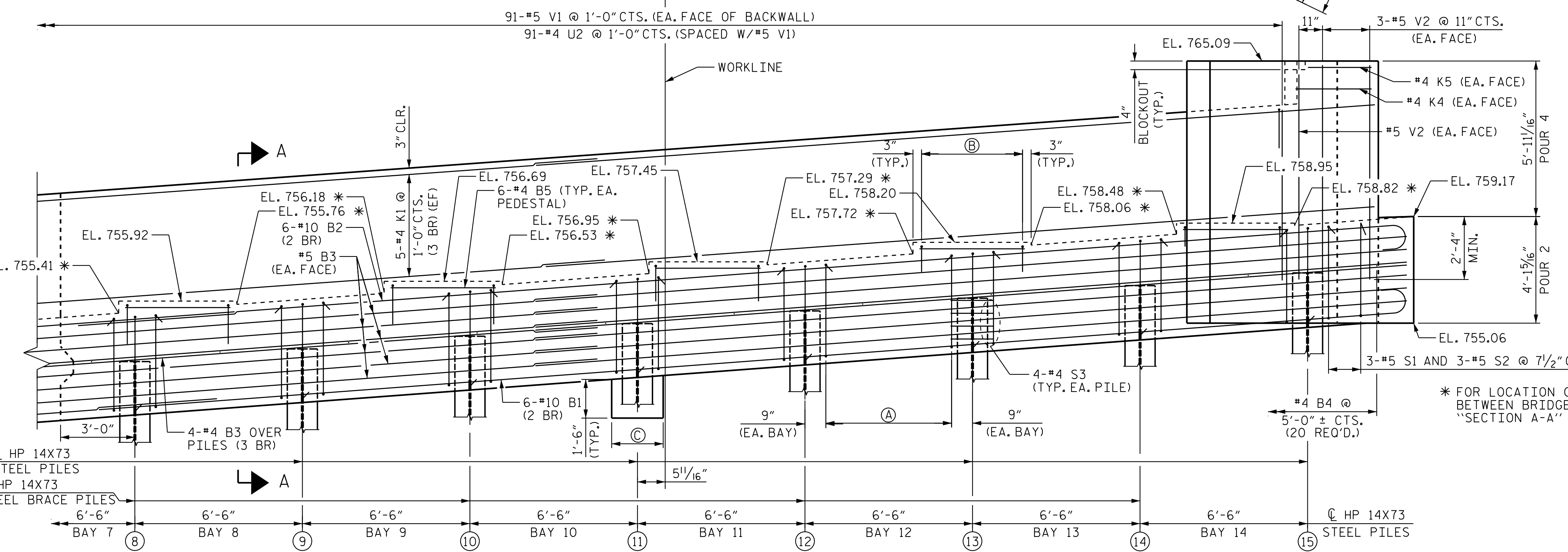
PLAN



SHEAR KEY DETAIL

"B" BARS NOT SHOWN FOR CLARITY. REINFORCING STEEL SHALL BE CONTINUOUS THRU SHEAR KEY.

BAR	MIN. SPLICE
#10 B1	4'-7"
#10 B2	6'-0"
#4 B3	2'-5"
#4 K1	2'-5"



ELEVATION

REINFORCING STEEL NOT SHOWN IN WING AND BRACE PILE CAP FOR CLARITY, SEE "END BENT 1 WING WALL DETAILS" SHEET 3 OF 4.

(2 BR) DENOTES 2 BAR RUN.  
(3 BR) DENOTES 3 BAR RUN.

- (A) 9-#5 S1 AND 9-#5 S2 @ 7/2" CTS. (TYP. EA. BAY)
- (B) 9-#4 U1 @ 6" CTS. (TYP. EA. PEDESTAL)
- (C) PILE COLLAR, TYP. EA. PILE. OTHERS NOT SHOWN FOR CLARITY.

**PRELIMINARY PLANS  
DO NOT USE FOR CONSTRUCTION**

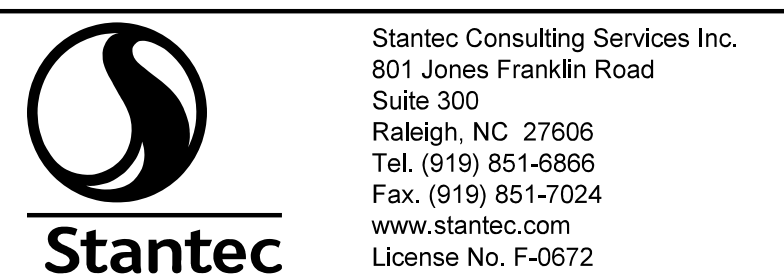
PROJECT NO. R-2707D  
CLEVELAND COUNTY  
STATION: 36+78.38 -RAMP A-

SHEET 2 OF 4  
STATE OF NORTH CAROLINA  
DEPARTMENT OF TRANSPORTATION  
RALEIGH  
SUBSTRUCTURE  
END BENT 1  
PLAN AND ELEVATION (RIGHT)



DocuSigned by:  
Victor E. Fraga  
DOCUMENT NOT CONSIDERED FINAL UNLESS ALL SIGNATURES COMPLETED

REVISIONS						SHEET NO.
NO.	BY:	DATE:	NO.	BY:	DATE:	S4-29
1			3			TOTAL SHEETS
2			4			43



Stantec Consulting Services Inc.  
801 Jones Franklin Road  
Suite 300  
Raleigh, NC 27606  
Tel. (919) 851-6866  
Fax. (919) 851-7024  
www.stantec.com  
License No. F-0672

DRAWN BY: J. B. GEILE DATE: 12/13/22  
CHECKED BY: V. E. FRAGA DATE: 01/26/23  
DESIGN ENGINEER OF RECORD: V. E. FRAGA DATE: 05/09/23

2023-05-05 16:24:08 vfraga  
 c:\Users\vfraga\documents\p\_w\_working\ms5432\R2707D\_SMU\_E102\_220491.dgn