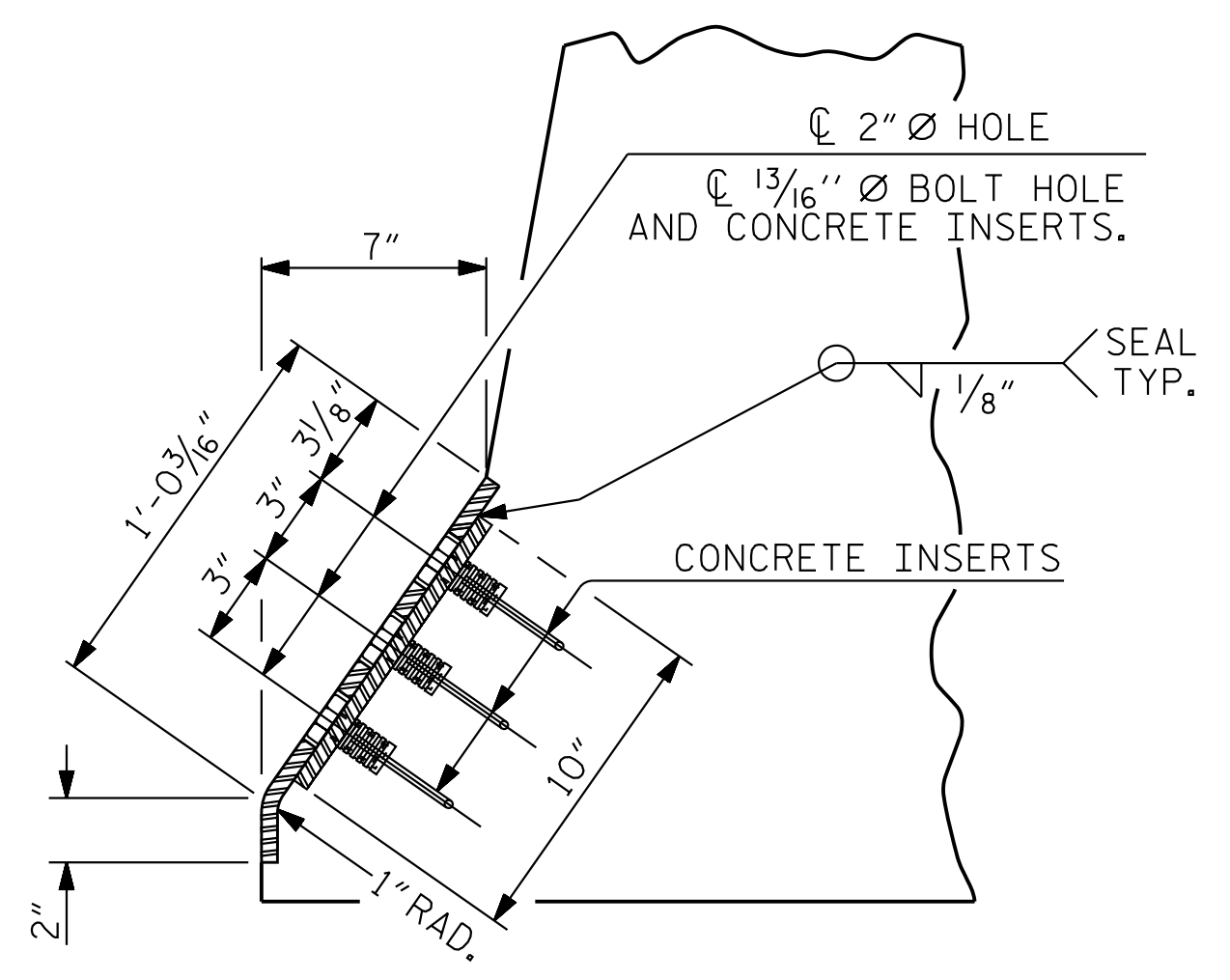
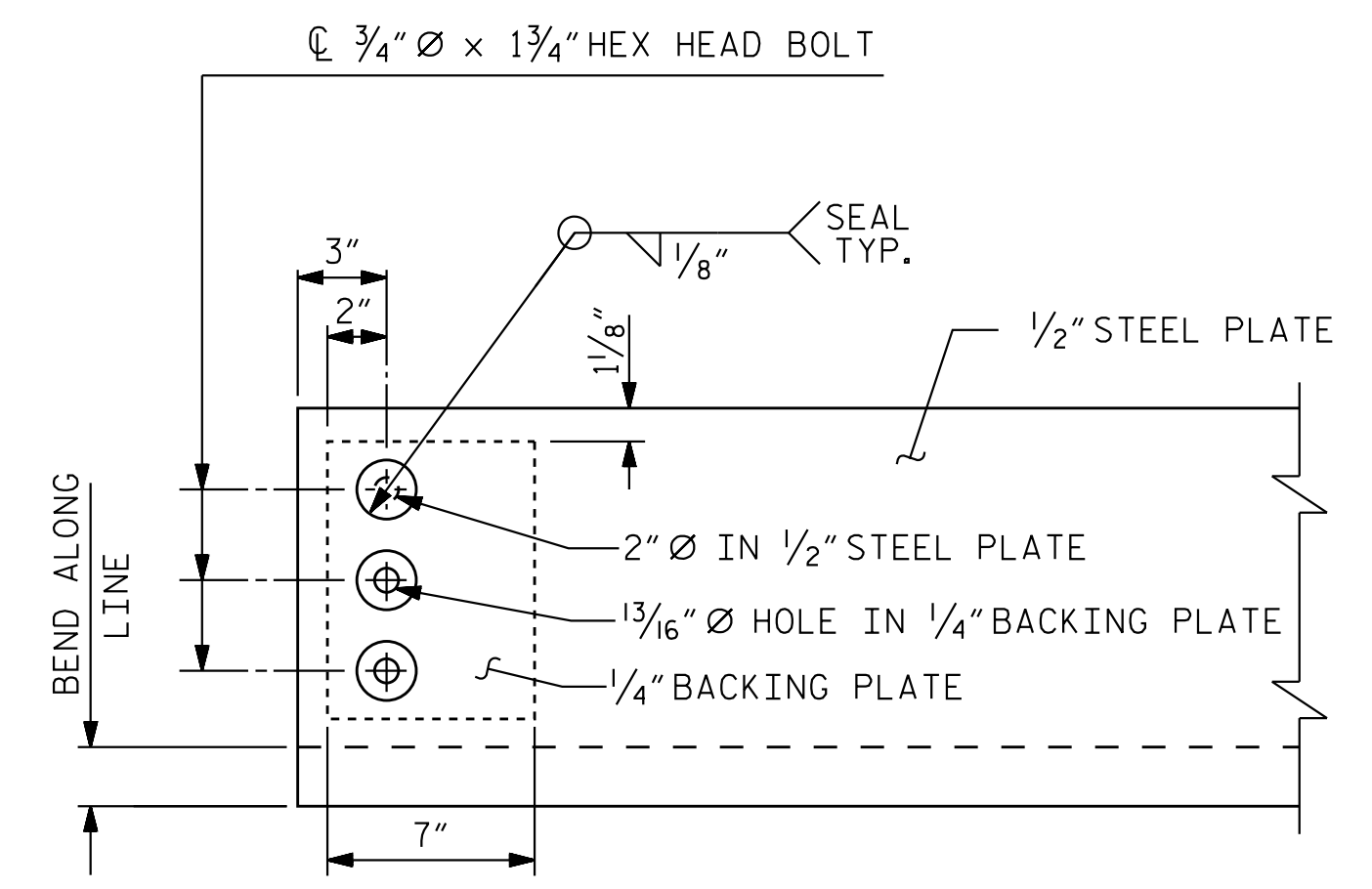


PLAN OF EXPANSION JOINT SEAL

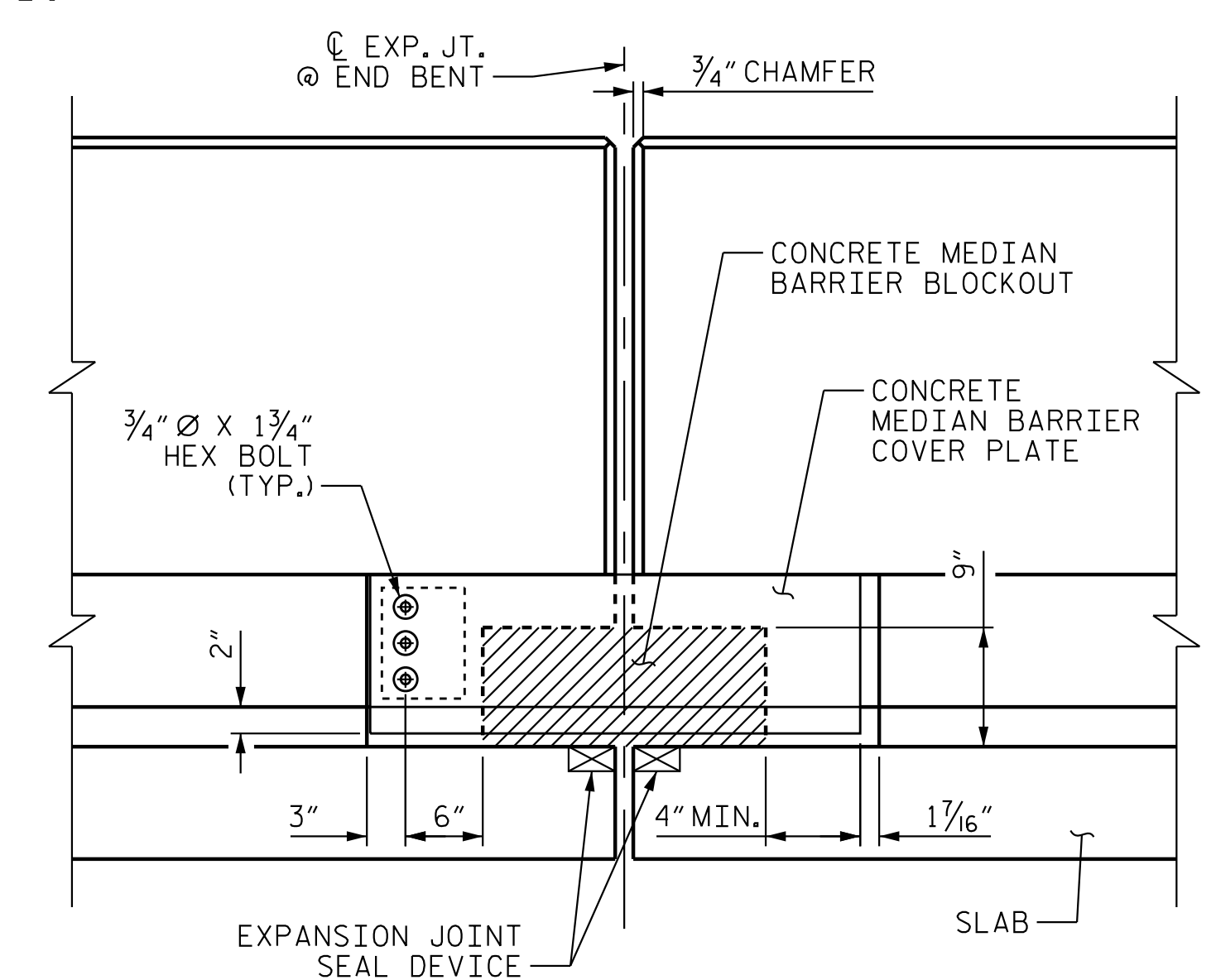


SECTION THRU RAIL NORMAL TO JOINT



COVER PLATE DETAILS

NOTE:
NO SEPARATE PAYMENT WILL BE MADE FOR FURNISHING AND INSTALLING THE COVER PLATE. THE ENTIRE COST OF THIS WORK SHALL BE INCLUDED IN THE LUMP SUM PRICE FOR "EXPANSION JOINT SEAL".



ELEVATION @ EXPANSION JOINT

**PRELIMINARY PLANS
DO NOT USE FOR CONSTRUCTION**

PROJECT NO. R-2707D
CLEVELAND COUNTY
STATION: 36+78.38 -RAMP A-

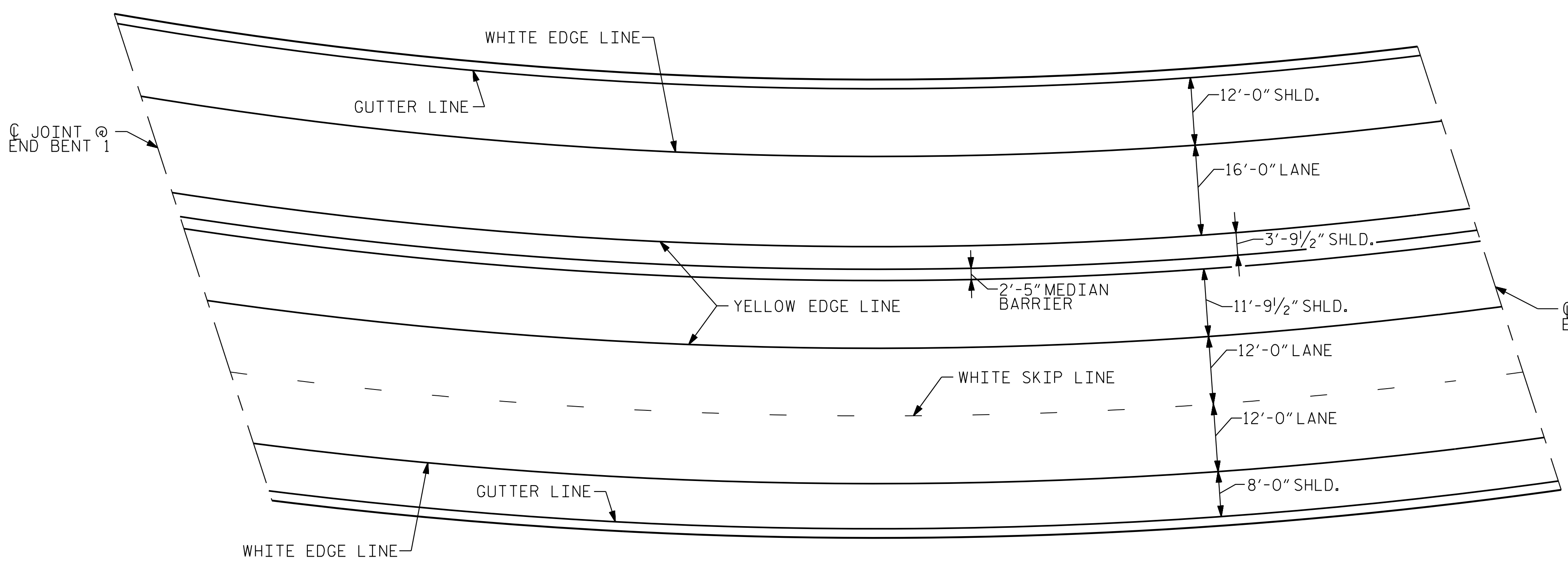
SHEET 3 OF 3

STATE OF NORTH CAROLINA
DEPARTMENT OF TRANSPORTATION
RALEIGH
SUPERSTRUCTURE
EXPANSION JOINT
SEAL DETAILS
FOR MEDIAN
BARRIER RAIL



DocuSigned by:
Victor E. Fraga
10/17/2023
DOCUMENT NOT CONSIDERED
FINAL UNLESS ALL
SIGNATURES COMPLETED

REVISIONS						SHEET NO.
NO.	BY:	DATE:	NO.	BY:	DATE:	S4-26
1			3			TOTAL SHEETS
2			4			43



PAVEMENT MARKING ALIGNMENT

c:\users\vfraga\documents\p_w_working\jms55432\R2707D_SML_E_US3_220491.dgn 2023-05-05 10:20:53 vfraga

ASSEMBLED BY : K. A. WOYAHN DATE : 01/05/23
CHECKED BY : V. E. FRAGA DATE : 01/12/23
DRAWN BY : REK 9/87
CHECKED BY : CRK 10/87

Stantec Consulting Services Inc.
801 Jones Franklin Road
Suite 300
Raleigh, NC 27606
Tel. (919) 851-6866
Fax. (919) 851-7024
www.stantec.com
License No. F-0672

DESIGN ENGINEER OF RECORD: V. E. FRAGA DATE : 05/09/23