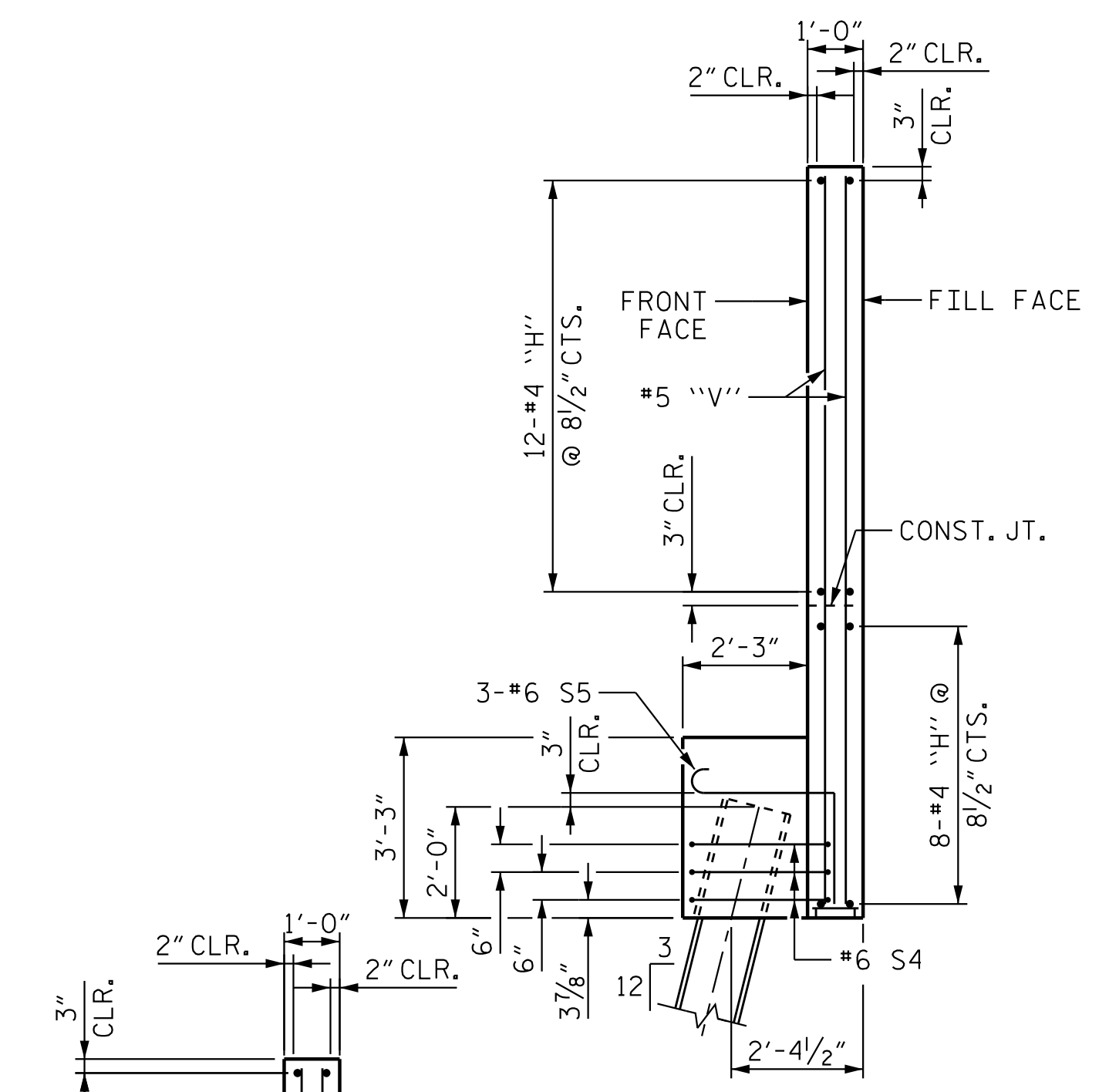


Ⓐ = 4-#5 V15 @ 1'-0\"/>

PLAN OF LEFT WING (W3)

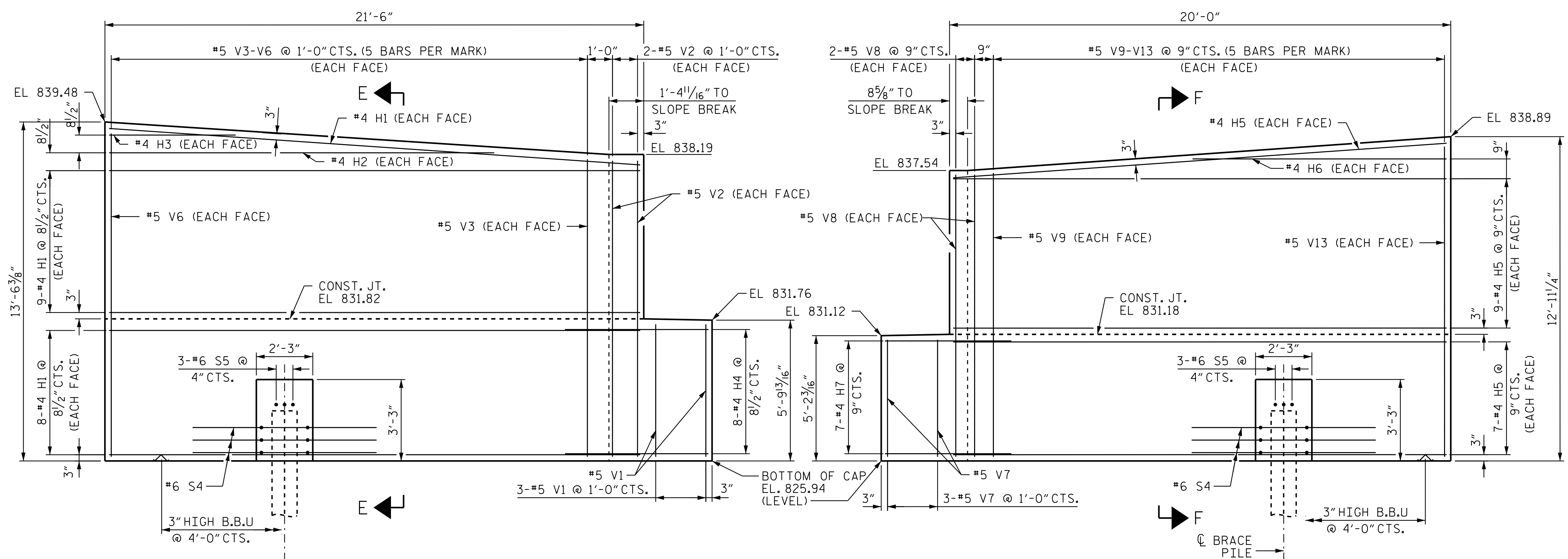
Ⓑ = 3-#5 V16 @ 1'-0\"/>

PLAN OF RIGHT WING (W4)



SECTION E-E

SECTION F-F



ELEVATION OF LEFT WING (W3)

ELEVATION OF RIGHT WING (W4)

PROJECT NO. R-2707D
 CLEVELAND COUNTY
 STATION: 23+21.80 -Y3-

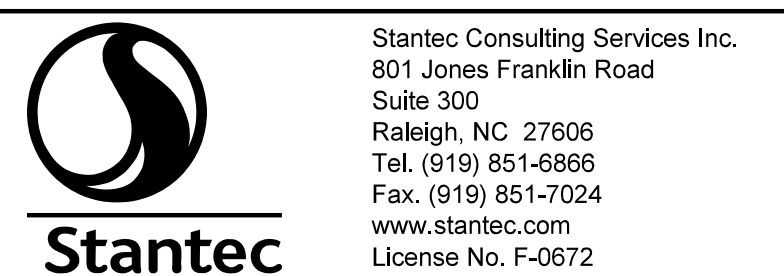
SHEET 2 OF 3

STATE OF NORTH CAROLINA
 DEPARTMENT OF TRANSPORTATION
 RALEIGH
 SUBSTRUCTURE
 END BENT 2
 WING WALL DETAILS



DOCUMENT NOT CONSIDERED FINAL UNLESS ALL SIGNATURES COMPLETED

REVISIONS						SHEET NO.	
NO.	BY:	DATE:	NO.	BY:	DATE:	S3-32	
1			3			TOTAL SHEETS	
2			4			36	



Stantec Consulting Services Inc.
 801 Jones Franklin Road
 Suite 300
 Raleigh, NC 27606
 Tel. (919) 851-6866
 Fax. (919) 851-7024
 www.stantec.com
 License No. F-0672

DESIGN ENGINEER OF RECORD: V. E. FRAGA DATE: 05/16/23

DRAWN BY: J. B. GEILE DATE: 04/11/18
 CHECKED BY: V. E. FRAGA DATE: 05/05/23

5/16/2023 11:37:44 AM jHogenbush
 c:\pvt\wvorking\dms55403\2707D_SMLL_E202-220490.dgn