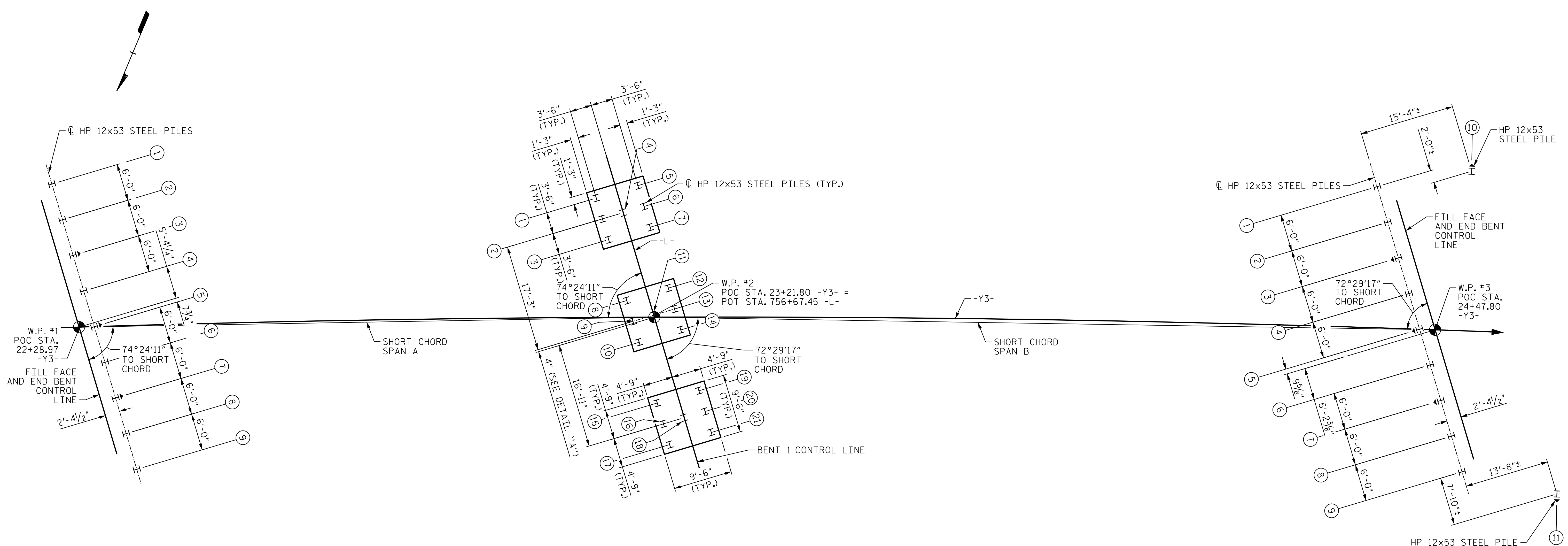


5/16/2023 11:32:08 AM jHagenbush
5/16/2023 11:32:08 AM jHagenbush
5/16/2023 11:32:08 AM jHagenbush



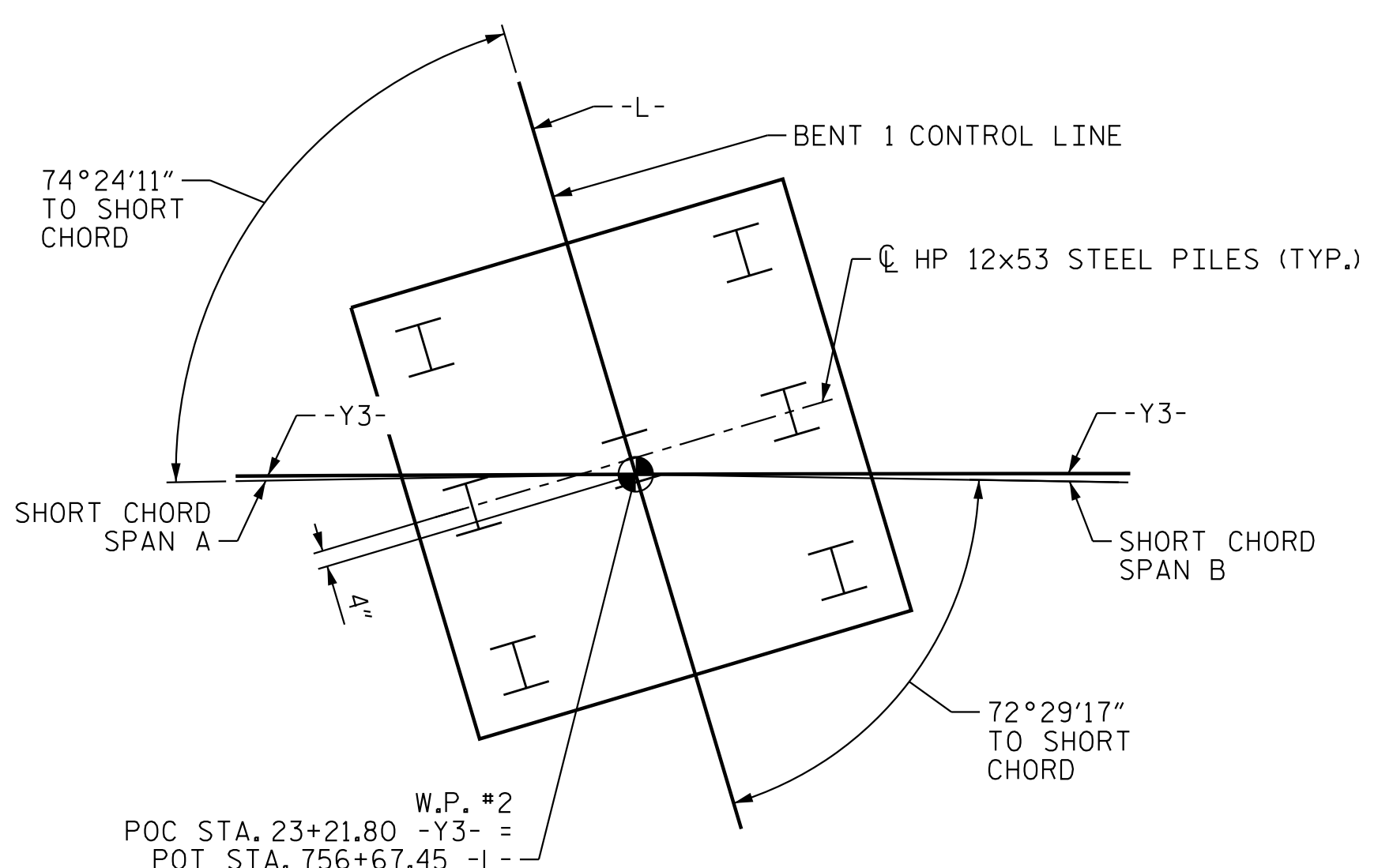
END BENT 1

BENT 1
DIMENSIONS SHOWN ARE TYPICAL FOR EA. FOOTING

END BENT 2

FOUNDATION LAYOUT

↑ INDICATES DIRECTION OF BATTER
FOR FOUNDATION NOTES, SEE PILE FOUNDATION TABLES, SHEET S3-03.



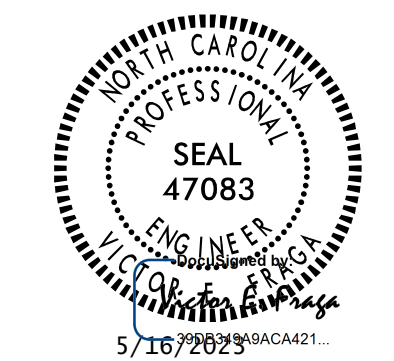
DETAIL "A"

PROJECT NO. R-2707D
CLEVELAND COUNTY
STATION: 23+21.80 -Y3-

SHEET 2 OF 6

STATE OF NORTH CAROLINA
DEPARTMENT OF TRANSPORTATION
RALEIGH

GENERAL DRAWING
FOR BRIDGE OVER US 74 BYPASS
ON SR 2047 BORDERS RD.
BETWEEN SR 2052 (ELIZABETH AVE.) AND
US 74 BUS. (E MARION ST.)



Stantec Consulting Services Inc.
801 Jones Franklin Road
Suite 300
Raleigh, NC 27606
Tel. (919) 851-6866
Fax. (919) 851-7024
www.stantec.com
License No. F-0672

DRAWN BY : J. B. GEILE DATE : 03/26/18
CHECKED BY : V. E. FRAGA DATE : 05/05/23
DESIGN ENGINEER OF RECORD : V. E. FRAGA DATE : 05/16/23

REVISIONS						SHEET NO. S3-02
NO.	BY:	DATE:	NO.	BY:	DATE:	
1			3			TOTAL SHEETS 36
2			4			

DOCUMENT NOT CONSIDERED FINAL UNLESS ALL SIGNATURES COMPLETED