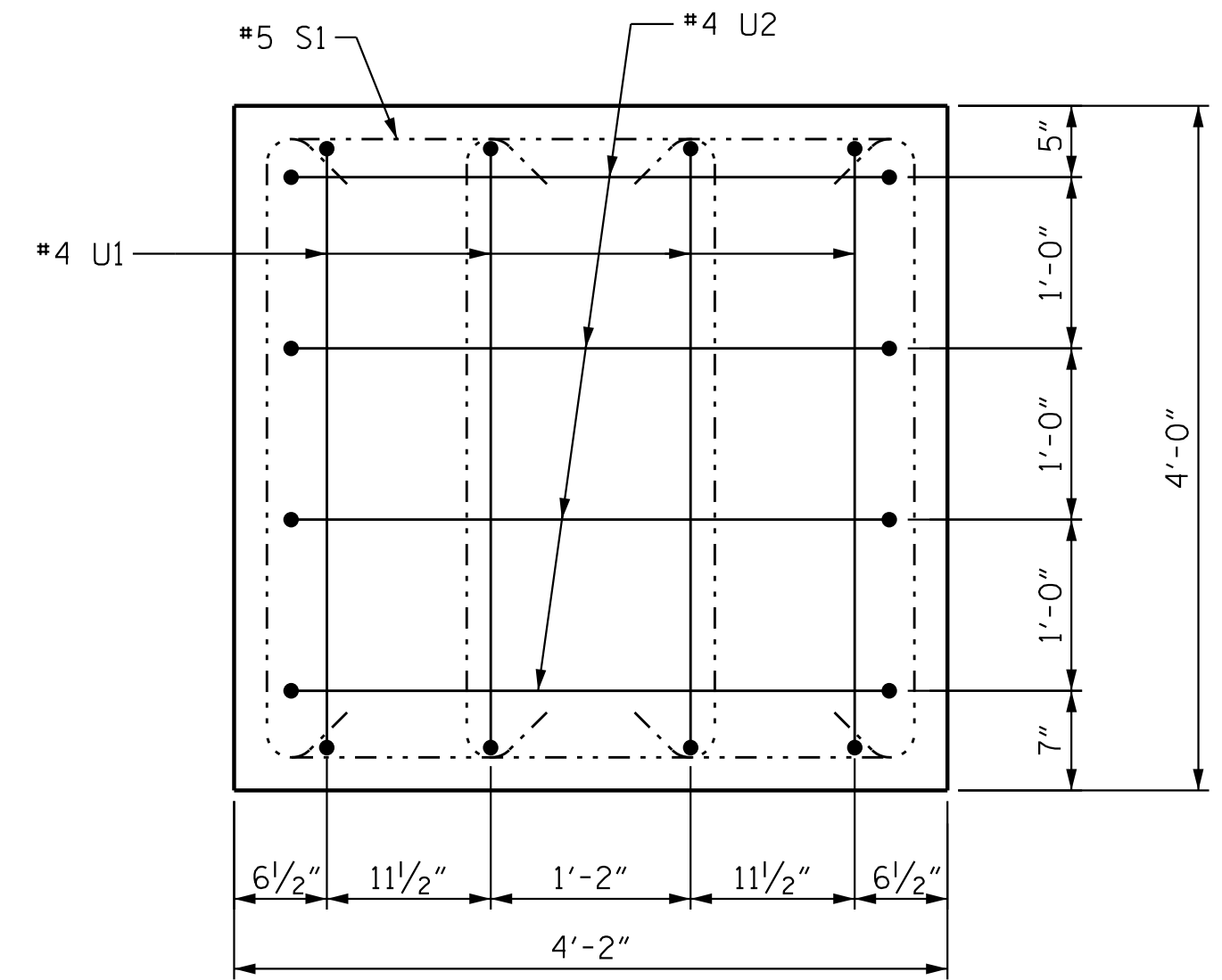
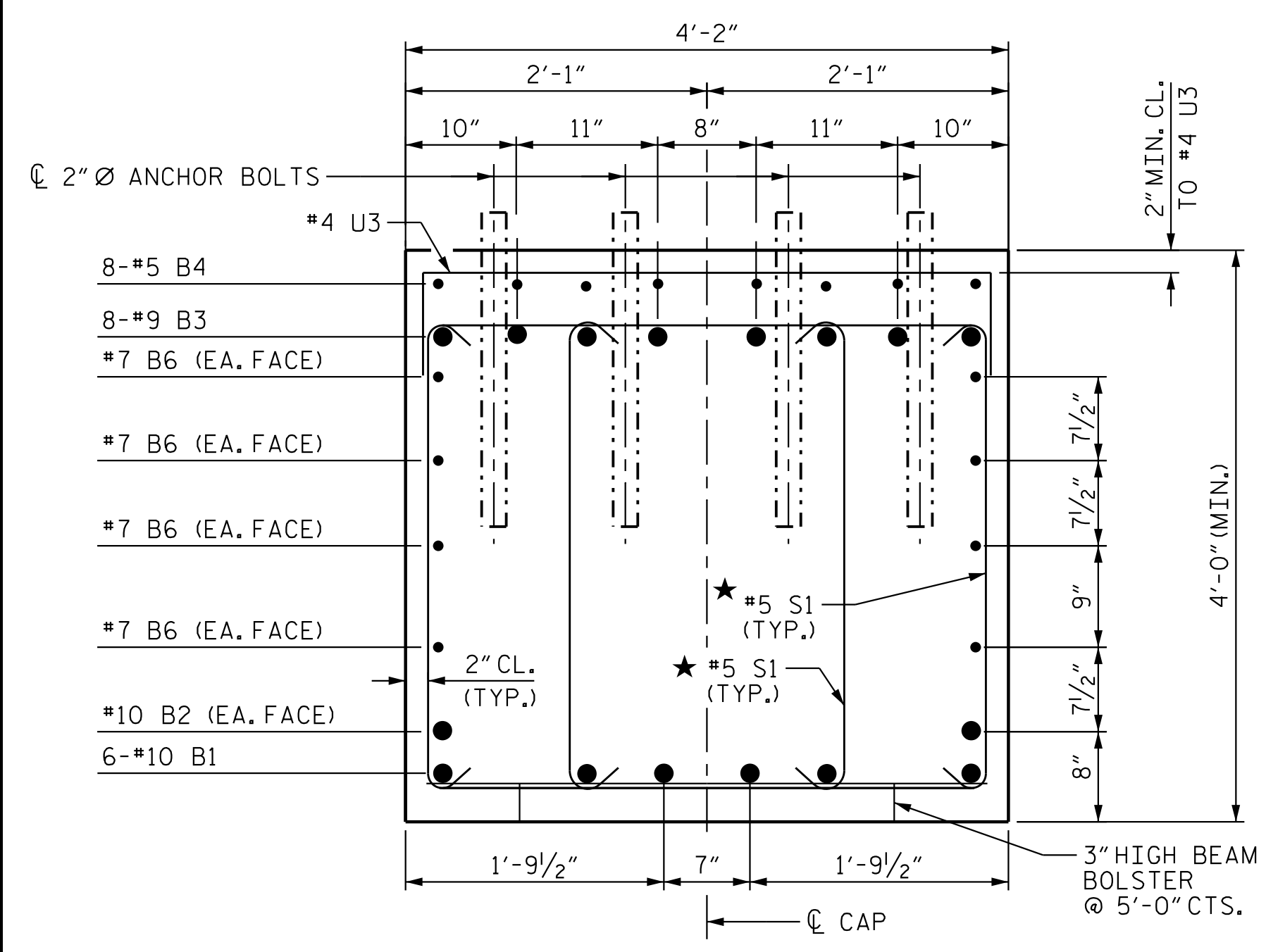


VIEW A-A

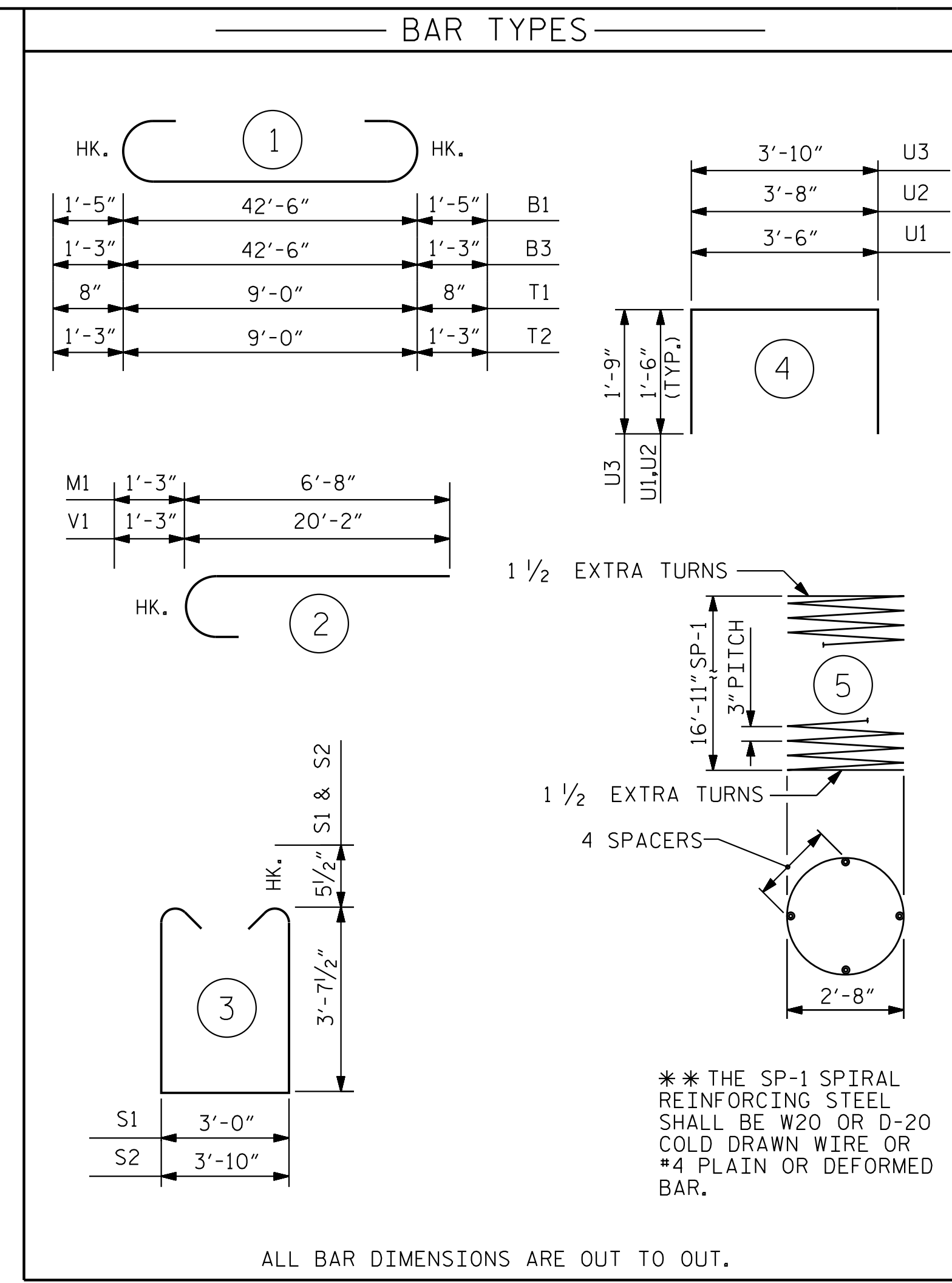


VIEW B-B



SECTION C-C

★ INVERT ALTERNATE STIRRUPS



ALL BAR DIMENSIONS ARE OUT TO OUT.

BILL OF MATERIAL					
BENT #1					
BAR	NO.	SIZE	TYPE	LENGTH	WEIGHT
B1	6	#10		45'-4"	1170
B2	2	#10	STR	42'-2"	363
B3	8	#9		45'-0"	1224
B4	8	#5	STR	33'-2"	277
B5	8	#5	STR	5'-0"	42
B6	8	#7	STR	42'-6"	695
M1	36	#9		7'-11"	969
S1	144	#5		11'-2"	1677
S2	24	#5		12'-0"	300
T1	54	#6		10'-4"	838
T2	90	#9		11'-6"	3519
U1	4	#4		6'-6"	17
U2	12	#4		6'-8"	53
U3	46	#4		7'-4"	225
V1	36	#9		21'-5"	2621
REINFORCING STEEL					LBS. 13,990
SP-1	3	**	5	582'-9"	1,168
SPIRAL COLUMN					
REINFORCING STEEL					LBS. 1,168
CLASS A CONCRETE BREAKDOWN					
POUR #1 FOOTINGS				C. Y.	37.6
POUR #2 COLUMNS				C. Y.	13.0
POUR #3 CAP				C. Y.	27.9
TOTAL CLASS A CONC.				C. Y.	78.5

PROJECT NO. R-2707D  
 CLEVELAND COUNTY  
 STATION: 20+16.72 -Y2-

SHEET 3 OF 3

STATE OF NORTH CAROLINA  
 DEPARTMENT OF TRANSPORTATION  
 RALEIGH  
 SUBSTRUCTURE  
 BENT 1 DETAILS



DOCUMENT NOT CONSIDERED FINAL UNLESS ALL SIGNATURES COMPLETED

REVISIONS						SHEET NO.
NO.	BY:	DATE:	NO.	BY:	DATE:	S2-29
1			3			TOTAL SHEETS
2			4			35

Stantec Consulting Services Inc.  
 801 Jones Franklin Road  
 Suite 300  
 Raleigh, NC 27606  
 Tel. (919) 851-6866  
 Fax. (919) 851-7024  
 www.stantec.com  
 License No. F-0672

DRAWN BY: J. E. HAGENBUSH DATE: 04/25/18  
 CHECKED BY: M. B. ISENHOUR DATE: 08/23/18  
 DESIGN ENGINEER OF RECORD: J. T. KELVINGTON DATE: 04/27/22

jhagenbush

4/27/2023

c:\pvt\work\king\dmis5537A\R2707D\_SML\_B03\_220489.dgn