

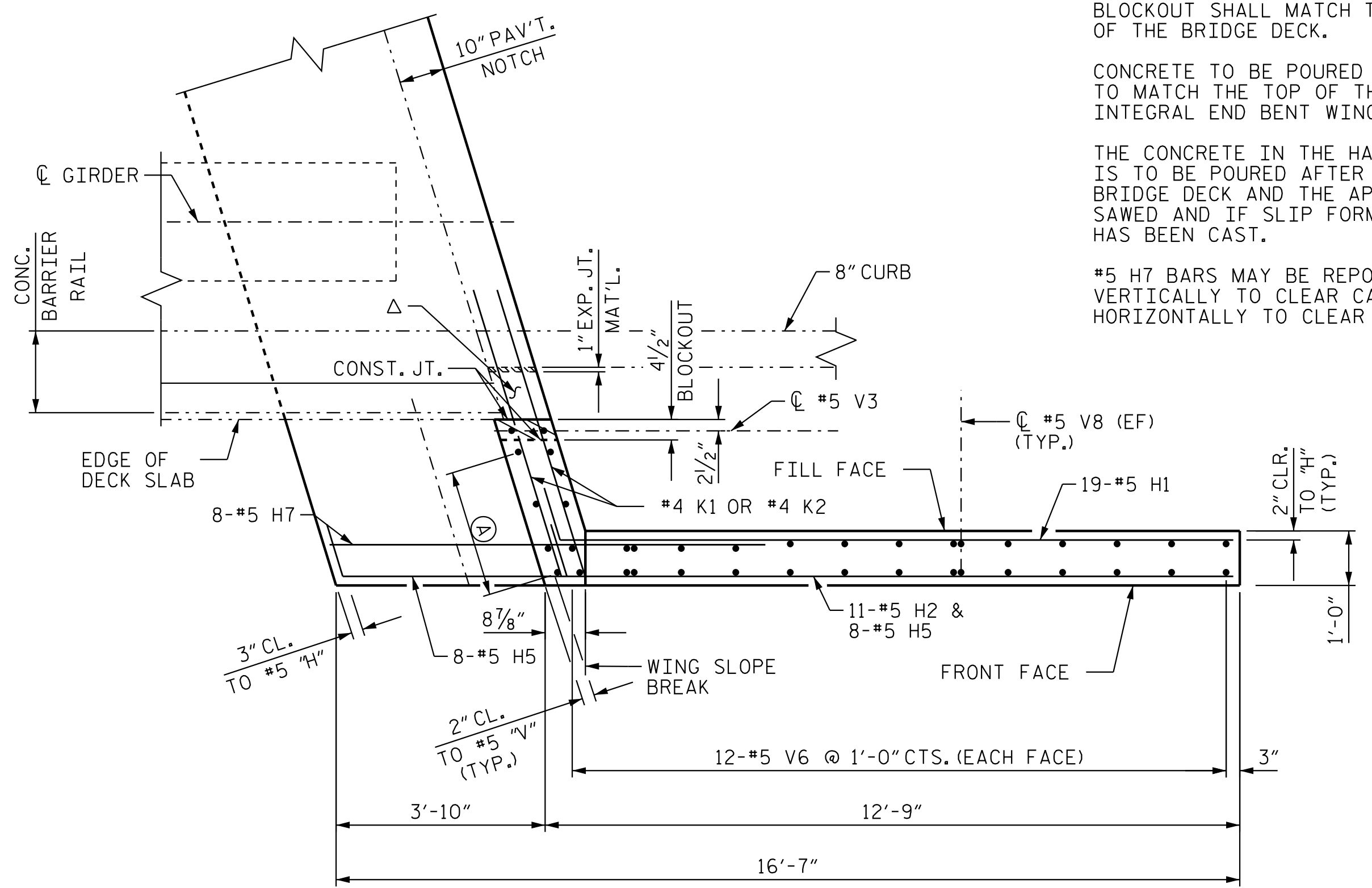
NOTES:

△ AREA BETWEEN APPROACH SLAB CURB AND BLOCKOUT SHALL MATCH THE FINISHED SURFACE OF THE BRIDGE DECK.

CONCRETE TO BE POURED IN THE HATCHED AREA TO MATCH THE TOP OF THE CURB AND THE INTEGRAL END BENT WING ELEVATION.

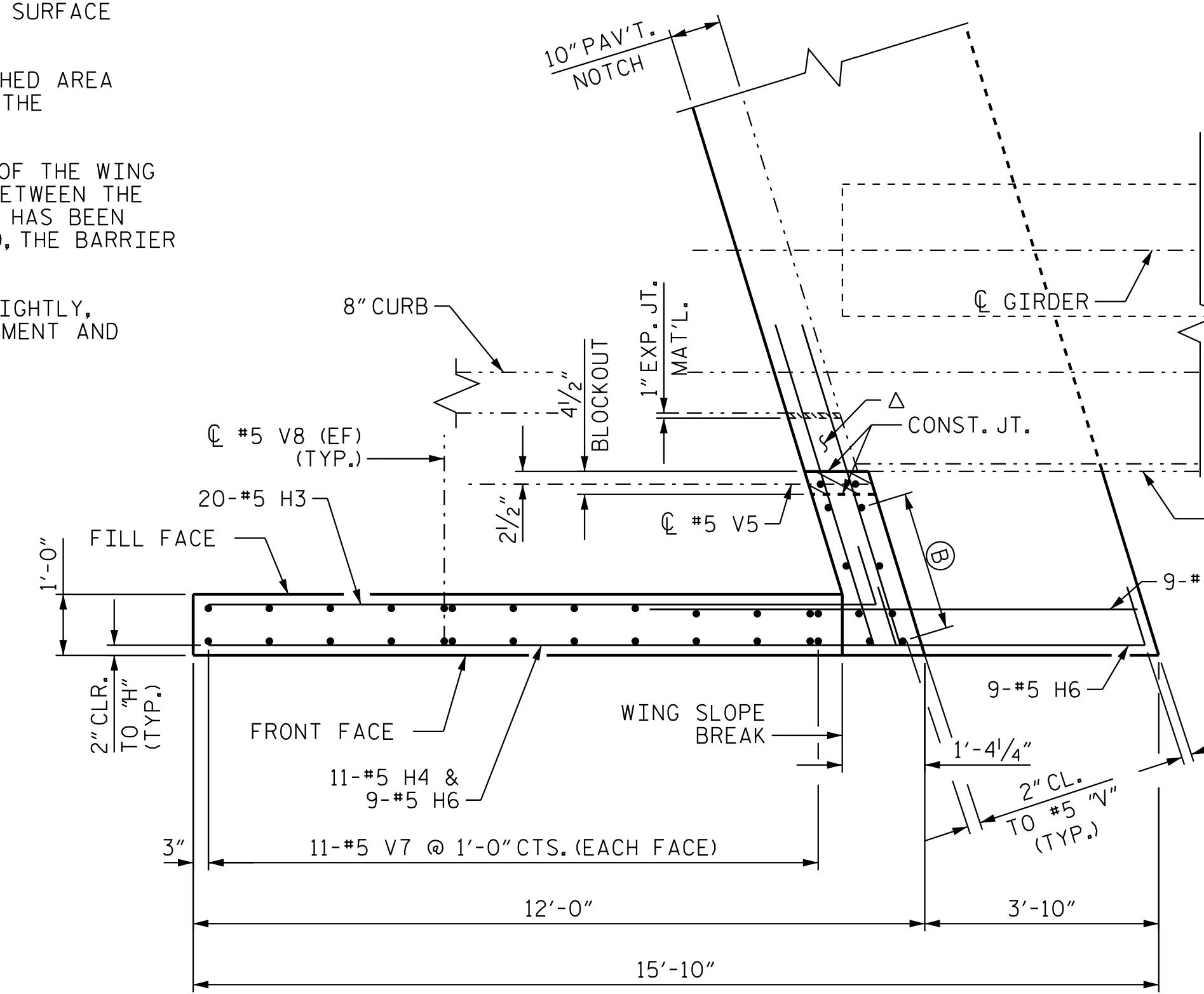
THE CONCRETE IN THE HATCHED AREA OF THE WING IS TO BE POURED AFTER THE JOINT BETWEEN THE BRIDGE DECK AND THE APPROACH SLAB HAS BEEN SAWED AND IF SLIP FORMING IS USED, THE BARRIER HAS BEEN CAST.

\*5 H7 BARS MAY BE REPOSITIONED SLIGHTLY, VERTICALLY TO CLEAR CAP REINFORCEMENT AND HORIZONTALLY TO CLEAR THE PILE.



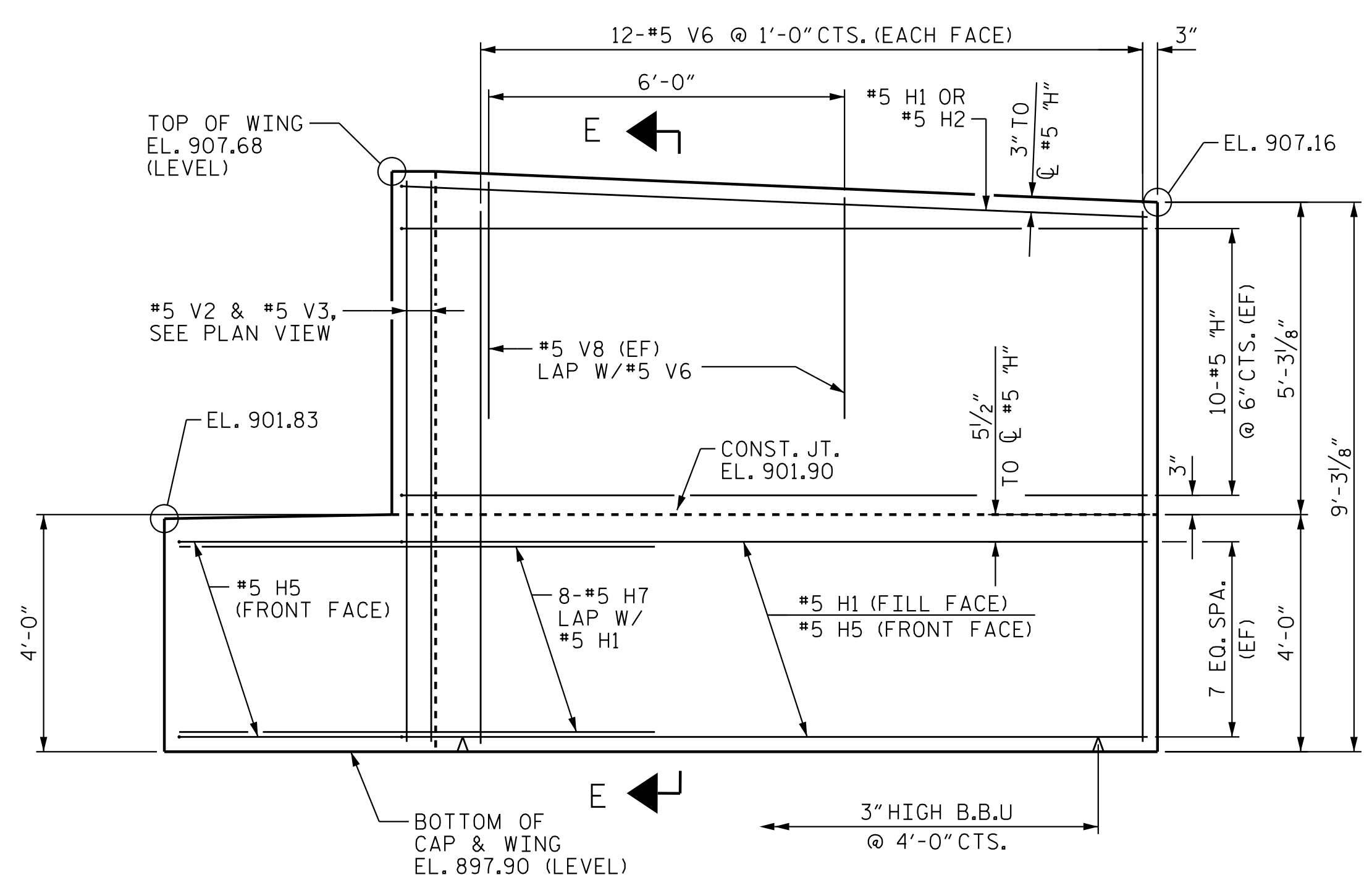
(A) 8-#5 V2 @ 9" MAX. SPA., 4 ON EA. FACE (SPA. AS SHOWN)

PLAN OF LEFT WING (W1)

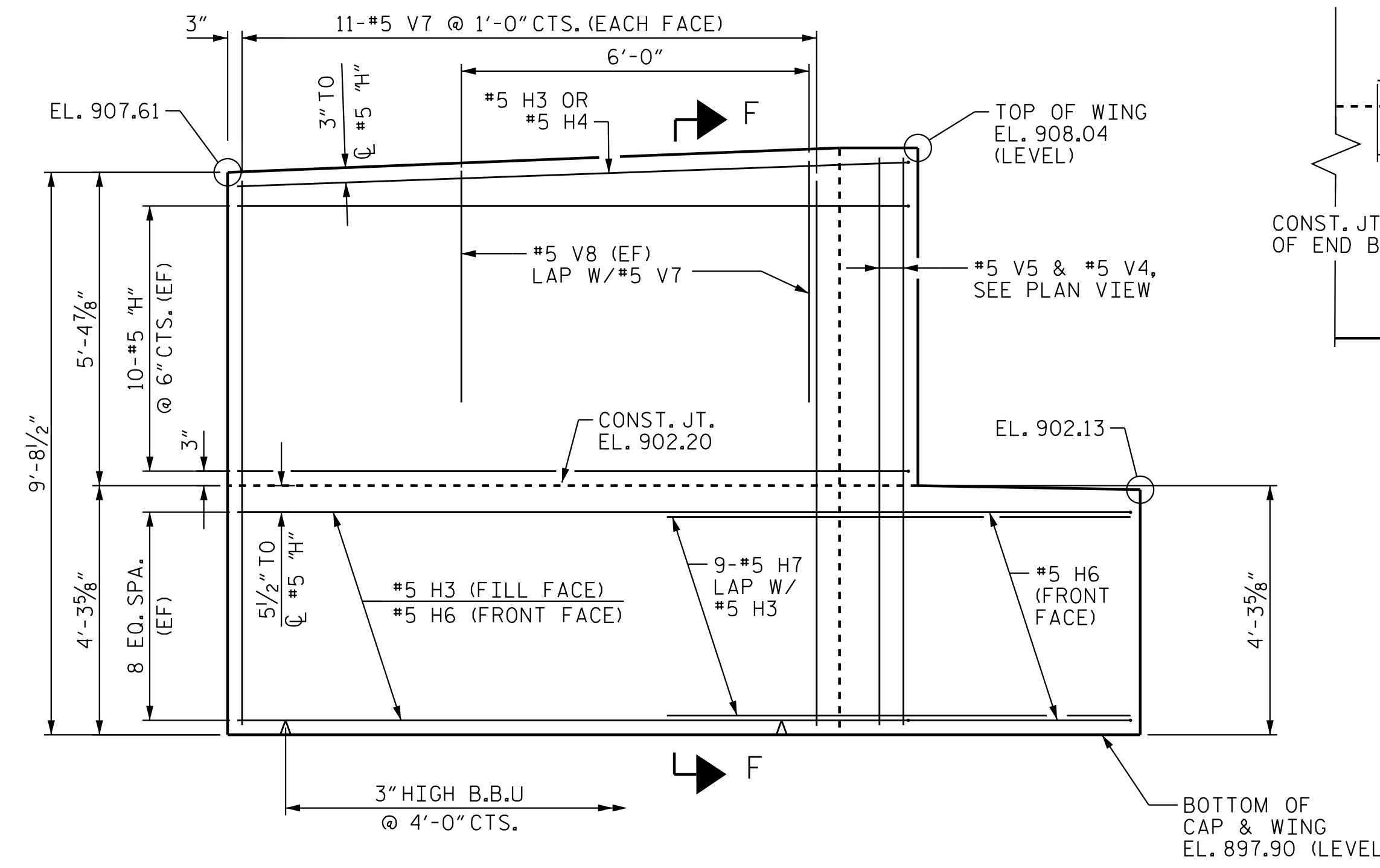


(B) 2-#5 V4 @ 9" MAX. SPA., 4 ON EACH FACE (SPA. AS SHOWN)

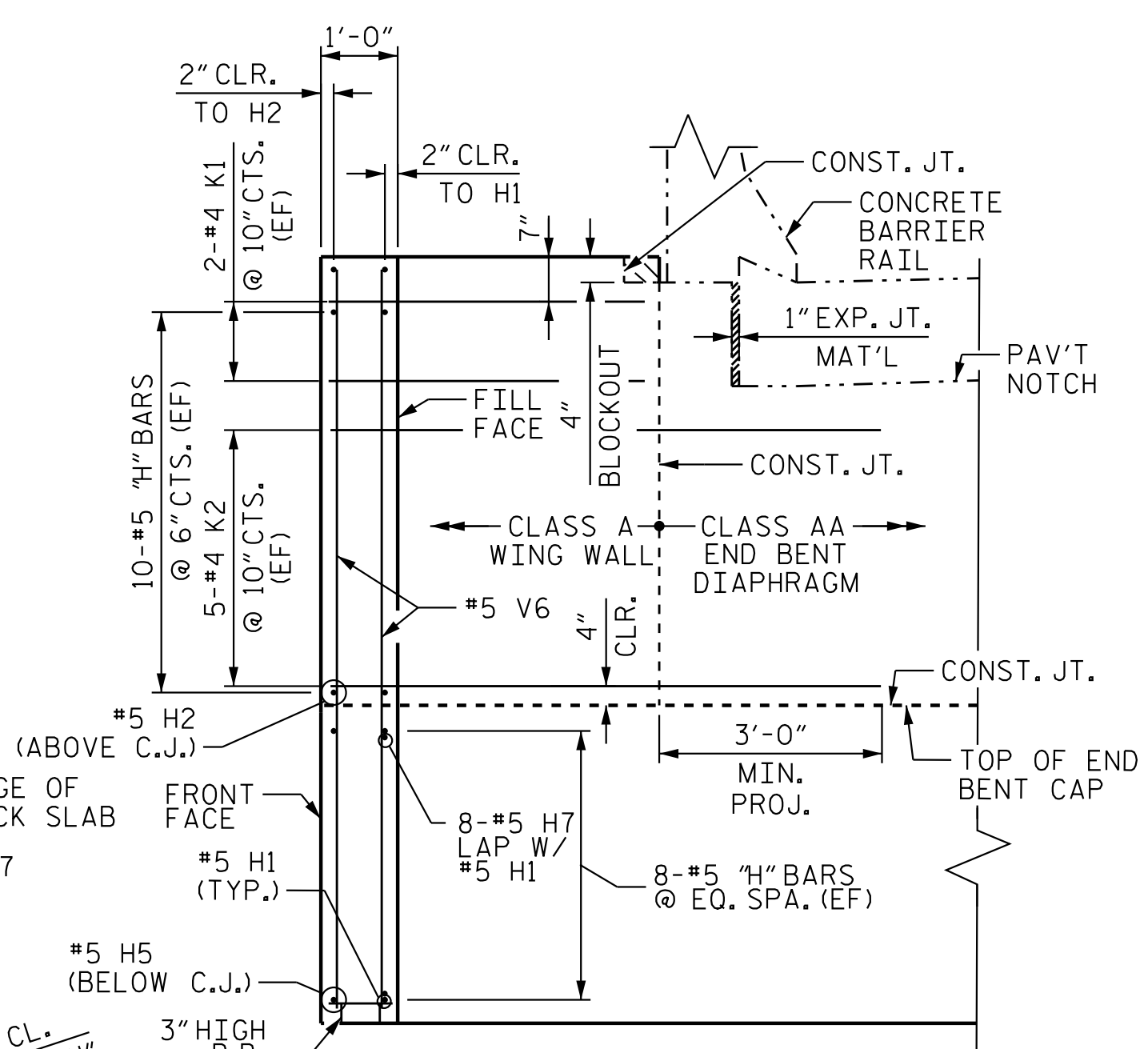
PLAN OF RIGHT WING (W2)



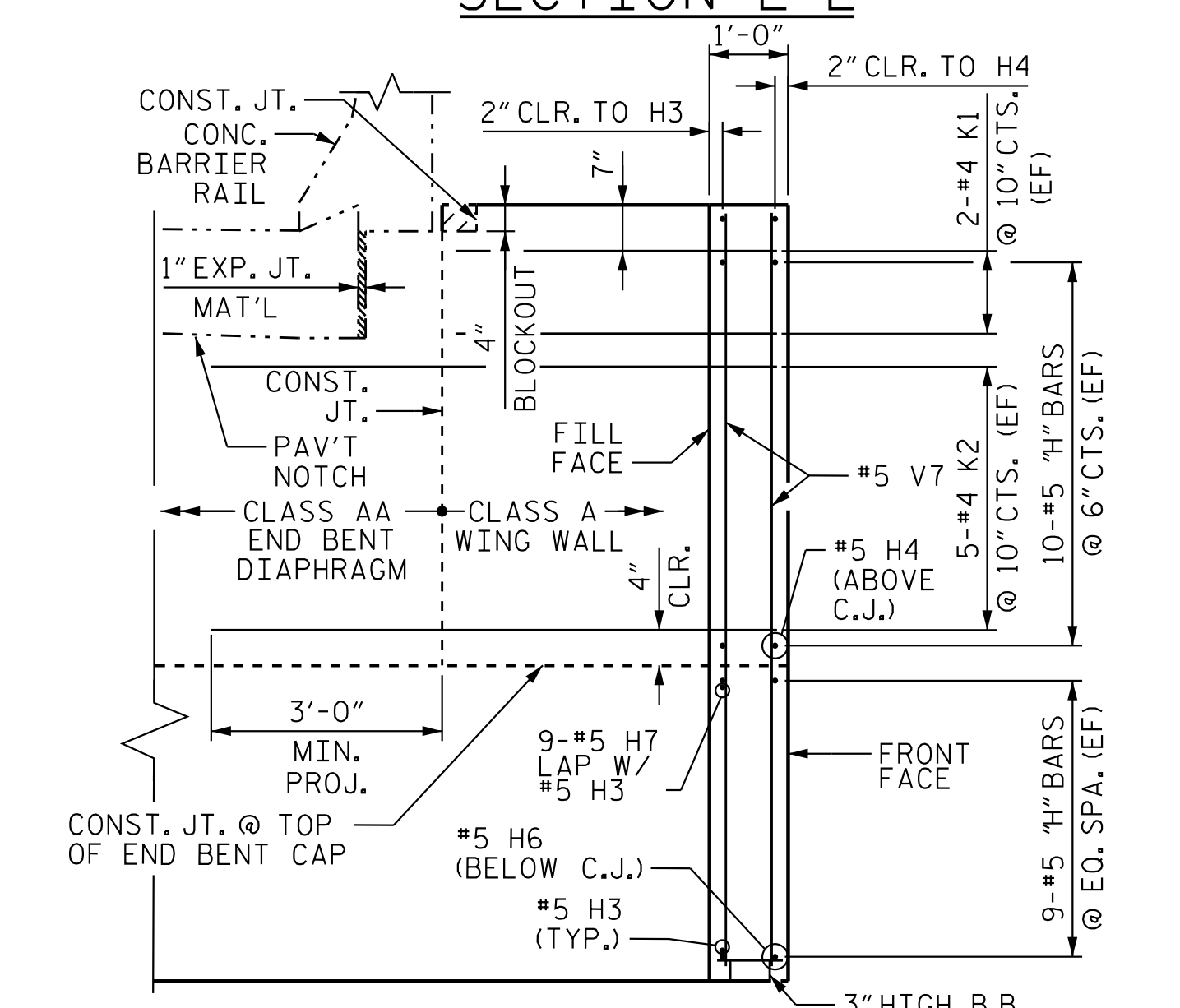
ELEVATION OF LEFT WING (W1)



ELEVATION OF RIGHT WING (W2)



SECTION E-E

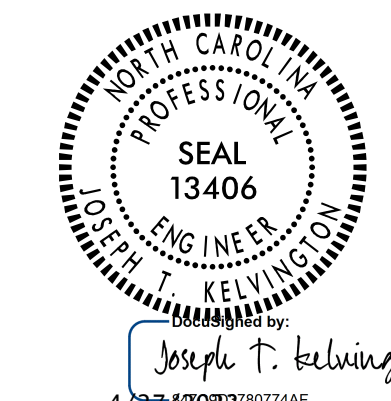


SECTION F-F

PROJECT NO. R-2707D  
 CLEVELAND COUNTY  
 STATION: 20+16.72 -Y2-

SHEET 2 OF 3

STATE OF NORTH CAROLINA  
 DEPARTMENT OF TRANSPORTATION  
 RALEIGH  
 SUBSTRUCTURE  
 END BENT 1 DETAILS  
 WING WALLS



REVISIONS						SHEET NO. S2-25
NO.	BY:	DATE:	NO.	BY:	DATE:	
1			3			TOTAL SHEETS 35
2			4			

DOCUMENT NOT CONSIDERED FINAL UNLESS ALL SIGNATURES COMPLETED

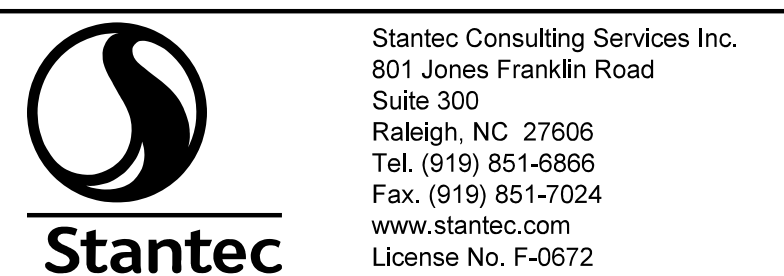
NOTE: TOP SURFACE OF END BENT CAP BETWEEN EDGE OF DECK SLAB AND END OF CAP SHALL BE SLOPED TRANSVERSELY FROM EXPOSED FACE OF THE WING TO FRONT FACE AT A RATE OF 1/4" / FT.

(EF) DENOTES EACH FACE.

jhhagenbush

4/27/2023

c:\pvt\working\dms5537a\R2707D\_SML\_E102\_220489.dgn



DRAWN BY: J. B. GEILE DATE: 04/19/18  
 CHECKED BY: M. B. ISENHOUR DATE: 08/01/18  
 DESIGN ENGINEER OF RECORD: J. T. KELVINGTON DATE: 04/27/22