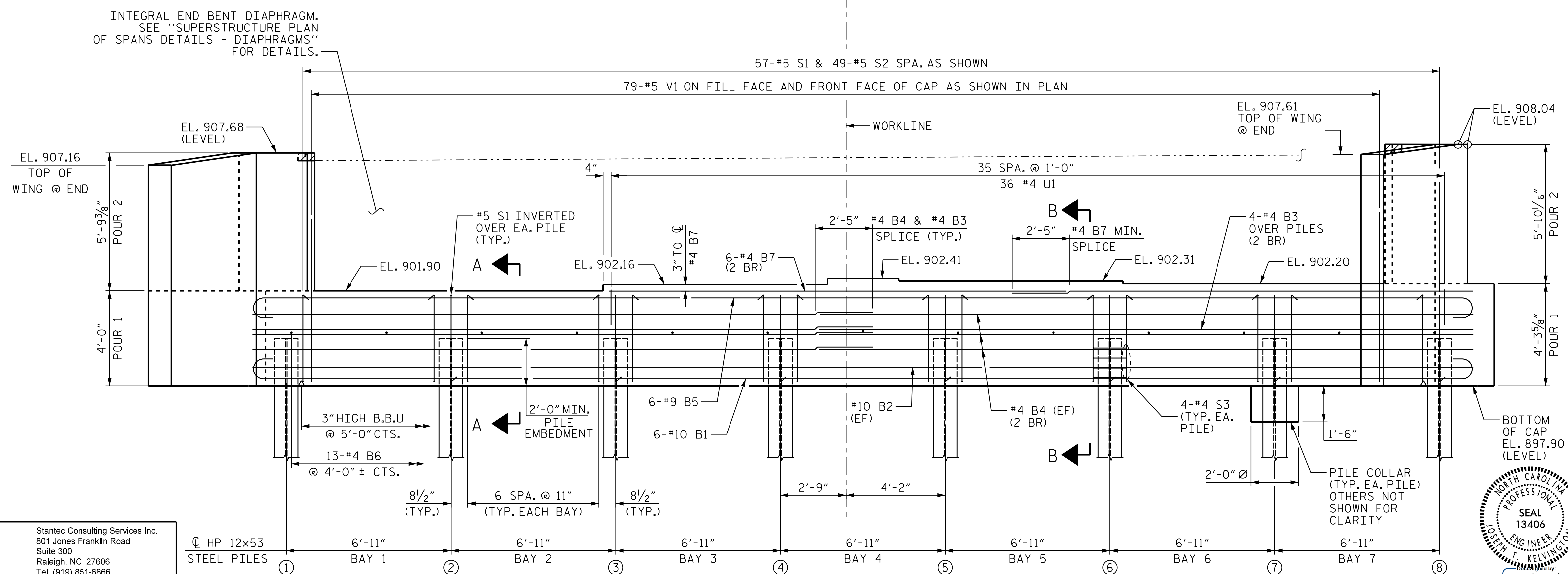
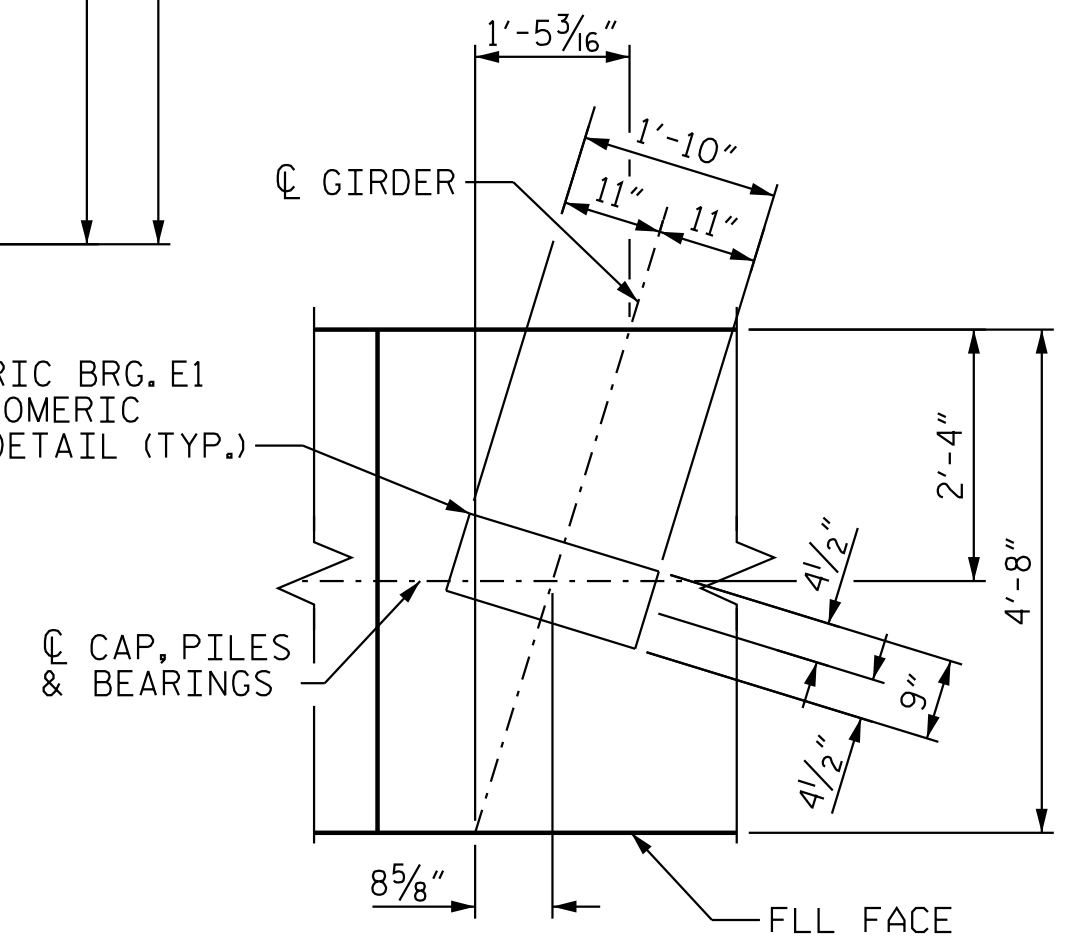
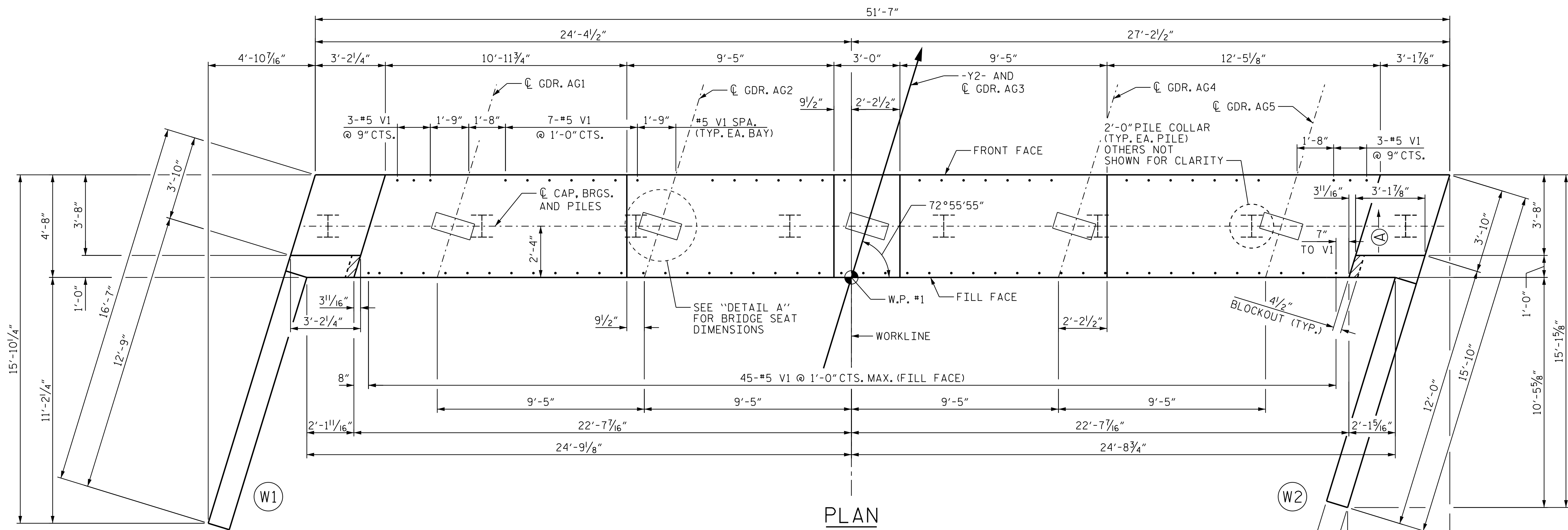


jhagenbush

4/27/2023

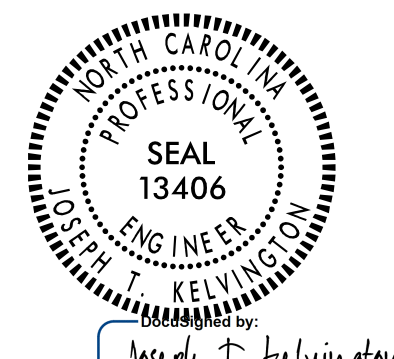
ca:\pvt_wor\king\dm5537A\R2707D_SMLL\E01_220489.dgn

- NOTES**
- (A) SLOPED CAP SURFACE BEYOND LIMIT OF INTEGRAL DIAPHR. SEE END BENT 1 WING WALL DETAILS, SHT. 2 OF 3.
 - (EF) - DENOTES EACH FACE
 - CHAMFERS ARE NOT REQUIRED EXCEPT AS NOTED.
 - (2 BR) DENOTES 2 BAR RUN.



Stantec Consulting Services Inc.
801 Jones Franklin Road
Suite 300
Raleigh, NC 27606
Tel. (919) 851-6866
Fax. (919) 851-7024
www.stantec.com
License No. F-0672

DRAWN BY : M. B. ISENHOUR DATE : 08/13/18
CHECKED BY : V. E. FRAGA DATE : 10/23/18
DESIGN ENGINEER OF RECORD : J.T. KELVINGTON DATE : 04/27/22



DOCUMENT NOT CONSIDERED FINAL UNLESS ALL SIGNATURES COMPLETED

PROJECT NO. R-2707D
CLEVELAND COUNTY
STATION: 20+16.72 -Y2-

SHEET 1 OF 3

STATE OF NORTH CAROLINA
DEPARTMENT OF TRANSPORTATION
RALEIGH
SUBSTRUCTURE
END BENT 1

REVISIONS						SHEET NO. S2-24
NO.	BY:	DATE:	NO.	BY:	DATE:	
1			3			TOTAL SHEETS 35
2			4			