

NOTES

ALL PRESTRESSING STRANDS SHALL BE 7-WIRE LOW-RELAXATION GRADE 270 STRANDS AND SHALL CONFORM TO AASHTO M203 EXCEPT FOR SAMPLING REQUIREMENTS WHICH SHALL BE IN ACCORDANCE WITH THE STANDARD SPECIFICATIONS.

ALL REINFORCING STEEL SHALL BE GRADE 60.

EMBEDDED PLATE "B-1" SHALL BE GALVANIZED IN ACCORDANCE WITH THE STANDARD SPECIFICATIONS.

ANCHOR STUDS SHALL CONFORM TO AASHTO M169 GRADES 1010 THROUGH 1020 OR APPROVED EQUAL, AND SHALL MEET THE TYPE "B" REQUIREMENTS OF SUBSECTION 7.3 OF THE ANSI/AASHTO/AWS D1.5 BRIDGE WELDING CODE.

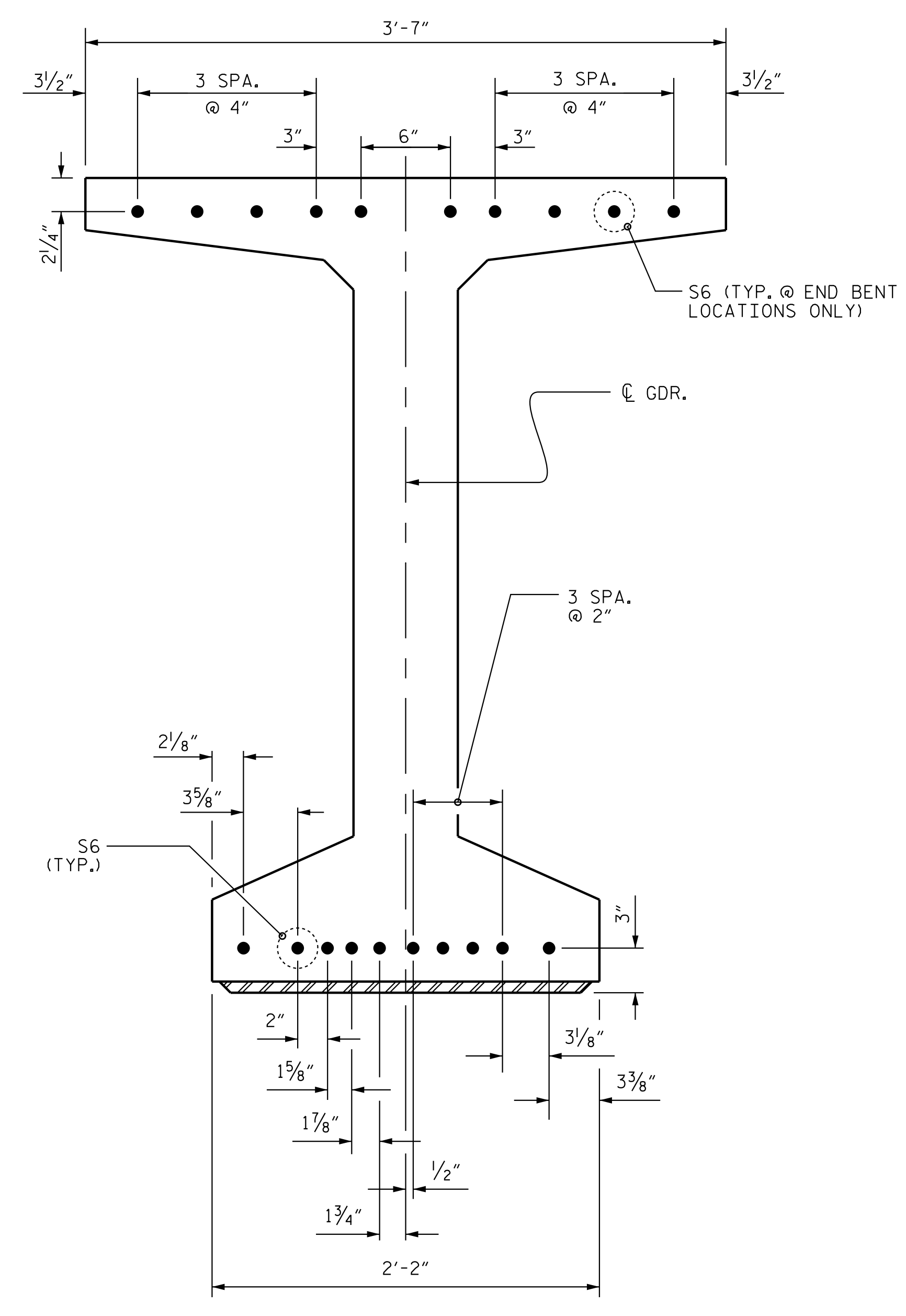
AT ENDS OF GIRDERS TO BE EMBEDDED IN CONCRETE DIAPHRAGMS OR END WALLS, PRESTRESSING STRANDS MAY EXTEND A MAXIMUM OF 2" BEYOND THE GIRDER ENDS. OTHERWISE, PRESTRESSING STRANDS SHALL BE CUT FLUSH WITH THE GIRDER ENDS.

THE TRANSFER OF LOAD FROM THE ANCHORAGES TO THE GIRDER SHALL BE DONE WHEN CONCRETE HAS REACHED A COMPRESSIVE STRENGTH OF NOT LESS THAN 6,000 PSI.

DEPENDING ON THE TYPE OF SYSTEM USED TO SUPPORT THE DECK SLAB FORMS, PRESET ANCHORS MAY BE NECESSARY IN THE PRESTRESSED CONCRETE GIRDER.

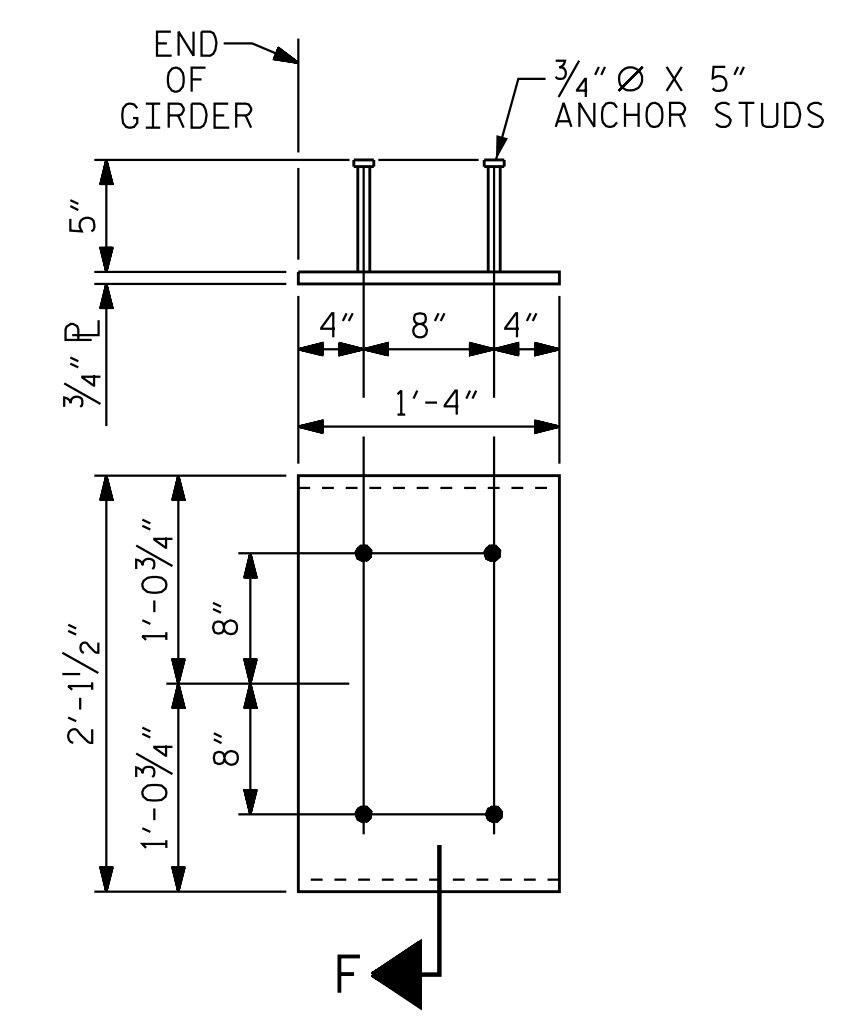
THE TOP SURFACE OF THE GIRDER, EXCLUDING THE OUTSIDE 4", SHALL BE RAKED TO A DEPTH OF 1/4".

A 2" x 2" CHAMFER IS ALLOWED AT THE INTERSECTION OF THE WEB AND THE BOTTOM FLANGE.



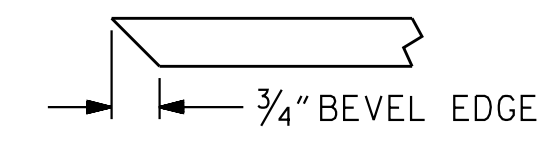
DETAIL "C"

(FOR MODIFIED 54" PRESTRESSED CONCRETE GIRDER)
S6 BARS IN BOTTOM FLANGE MAY BE ADJUSTED SLIGHTLY AS NECESSARY TO CLEAR 3/4"x5" ANCHOR STUDS MOUNTED ON EMBEDDED PLATE B-1.



EMBEDDED PLATE "B-1" DETAILS FOR MODIFIED 54" PRESTRESSED CONCRETE GIRDER

(2 REQ'D PER GIRDER)



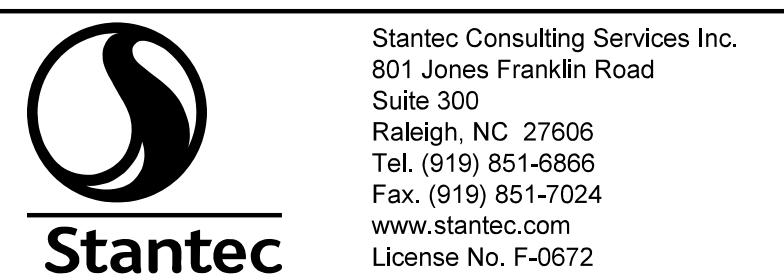
SECTION "F"

(SEE NOTES)

jhagenbush

4/27/2023

c:\pvt\working\dms5537a\R2707D_SMLL_G03_220489.dgn



DRAWN BY : J. B. GEILE DATE : 03/01/18
 CHECKED BY : M. B. ISENHOUR DATE : 05/29/18
 DESIGN ENGINEER OF RECORD : J. T. KELVINGTON DATE : 04/27/22

PROJECT NO. R-2707D
 CLEVELAND COUNTY
 STATION: 20+16.72 -Y2-

SHEET 3 OF 4



STATE OF NORTH CAROLINA
 DEPARTMENT OF TRANSPORTATION
 RALEIGH
 SUPERSTRUCTURE
 PRESTRESSED CONCRETE GIRDER
 CONTINUOUS FOR LIVE LOAD
 DETAILS

REVISIONS						SHEET NO.
NO.	BY:	DATE:	NO.	BY:	DATE:	S2-16
1			3			TOTAL SHEETS
2			4			35

DOCUMENT NOT CONSIDERED FINAL UNLESS ALL SIGNATURES COMPLETED