

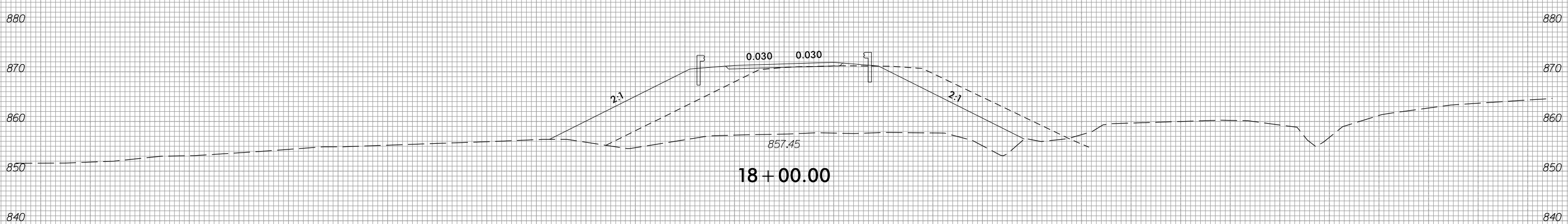
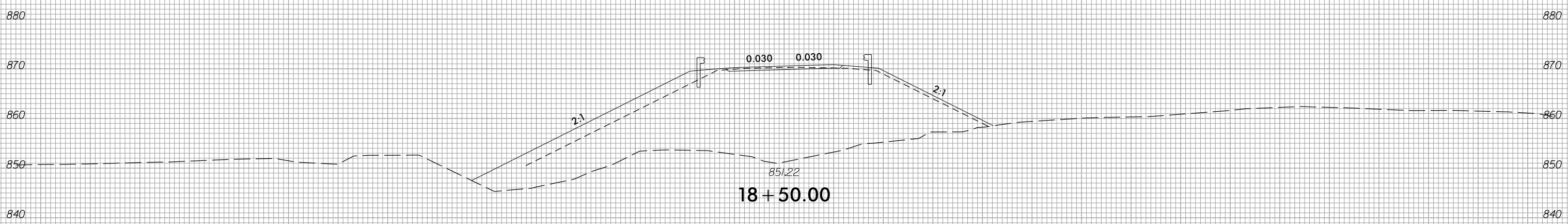
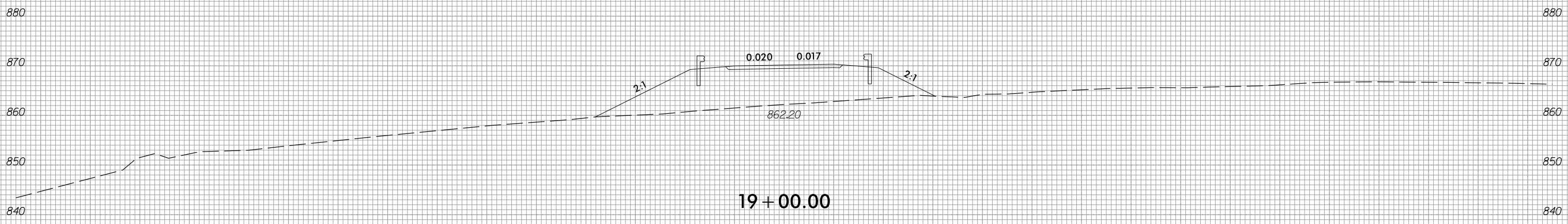
6/23/16



PROJ. REFERENCE NO.
R-2707D

SHEET NO.
X-457

150 140 130 120 110 100 90 80 70 60 50 40 30 20 10 0 10 20 30 40 50 60 70 80 90 100 110 120 130 140 150



-SRVRD_I-

150 140 130 120 110 100 90 80 70 60 50 40 30 20 10 0 10 20 30 40 50 60 70 80 90 100 110 120 130 140 150

2/21/2023
c:\users\mferguson\documents\pwworking\0103658\R2707D_FDY_XPL_SVRD_I.dgn
mferguson