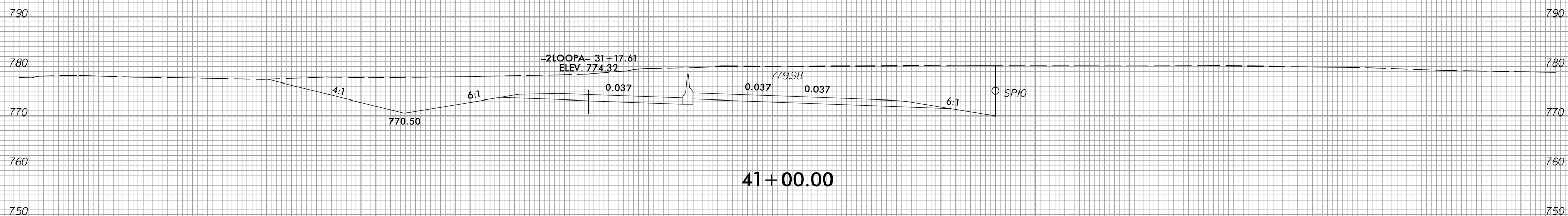
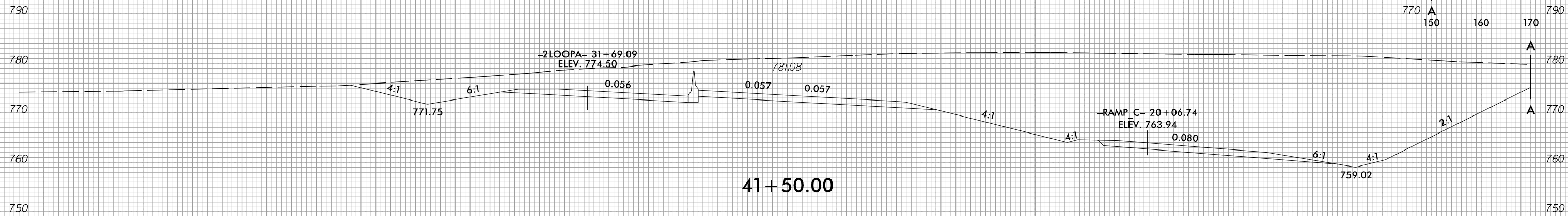
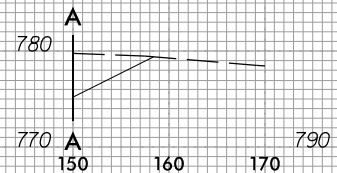
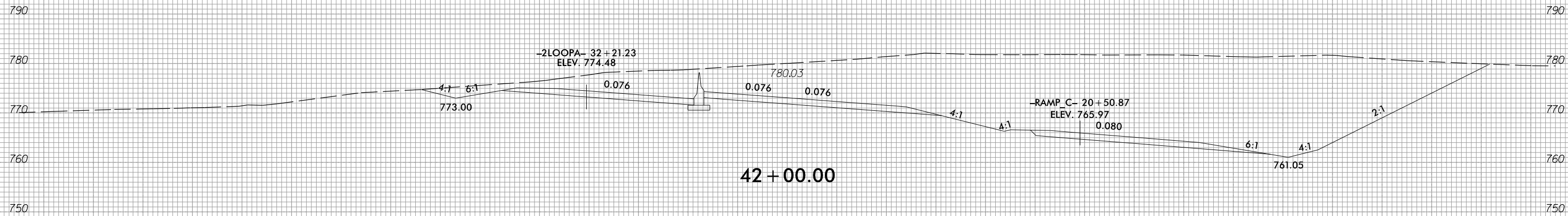


6/23/16



PROJ. REFERENCE NO.	SHEET NO.
R-2707D	X-386

150 140 130 120 110 100 90 80 70 60 50 40 30 20 10 0 10 20 30 40 50 60 70 80 90 100 110 120 130 140 150



-RAMP\_A-

150 140 130 120 110 100 90 80 70 60 50 40 30 20 10 0 10 20 30 40 50 60 70 80 90 100 110 120 130 140 150

c:\users\mferguson\documents\pwworking\0103652\R2707D\_FDY\_XPL\_RAMPA.dgn  
mferguson