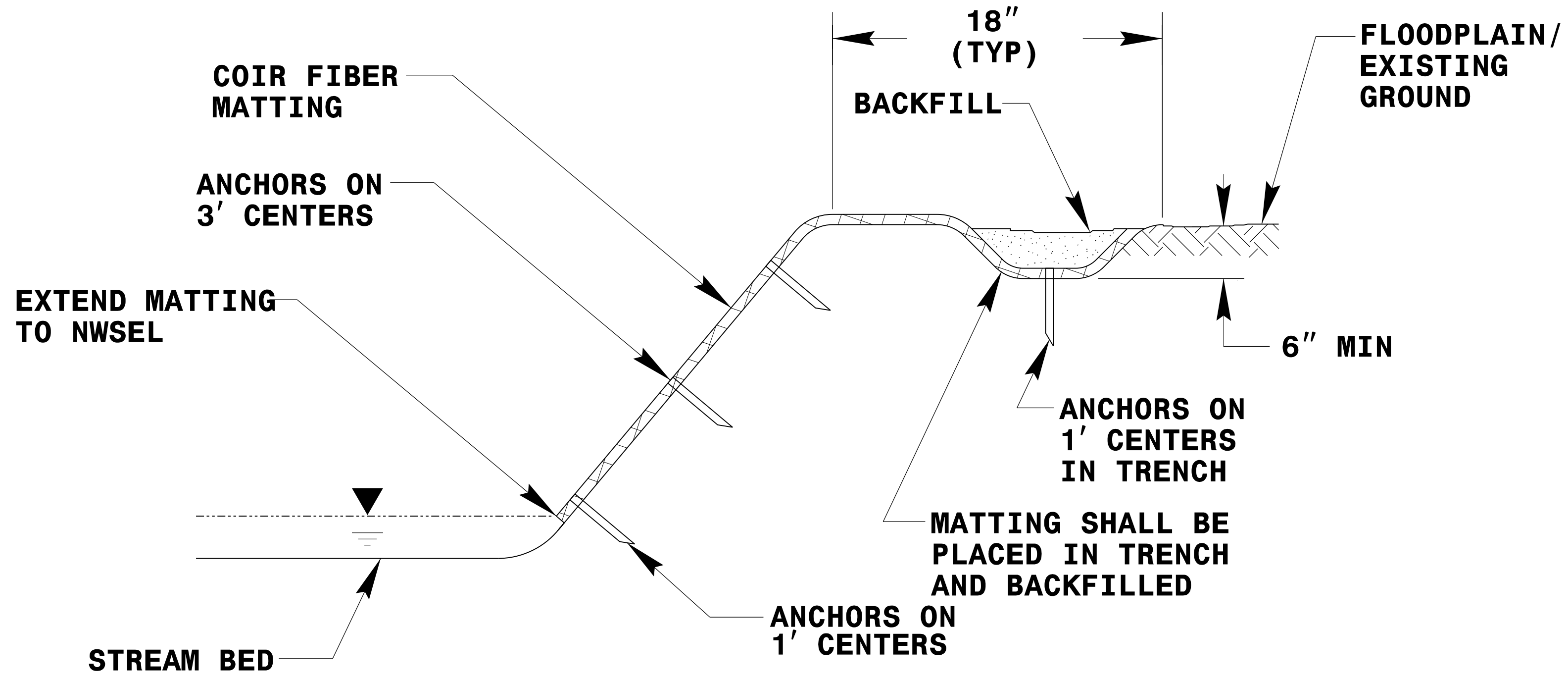
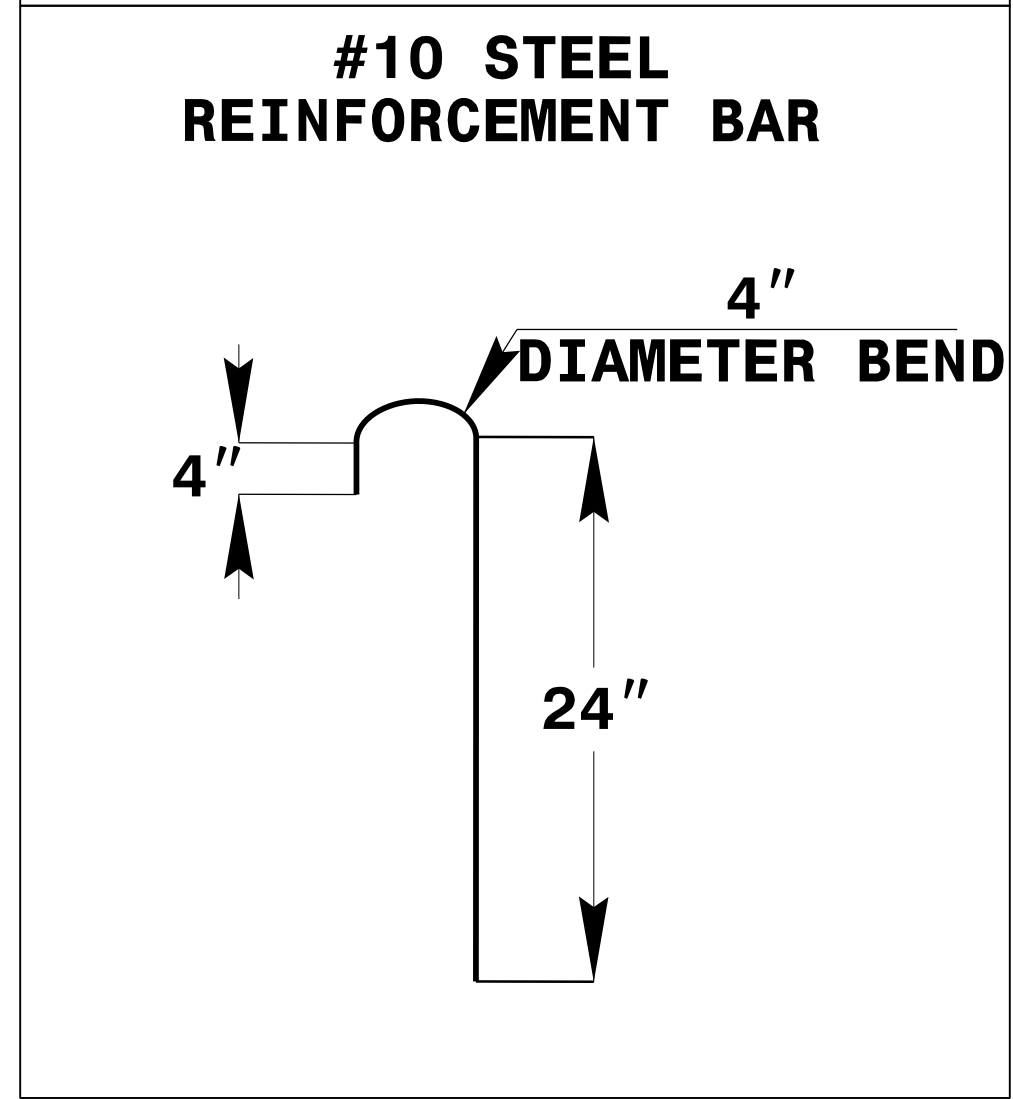
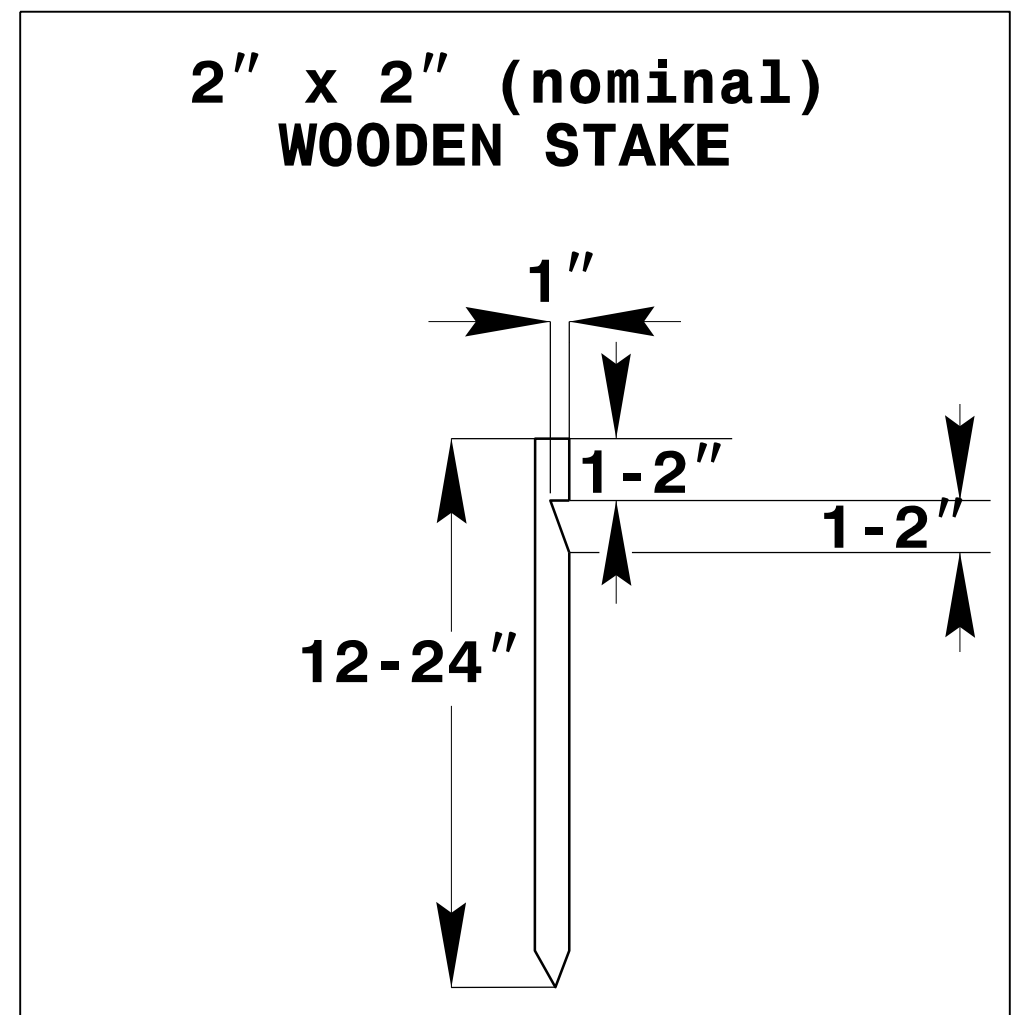


**PLAN VIEW**



**TYPICAL CROSS SECTION**



**ANCHOR OPTIONS**

**COIR FIBER MATTING DETAIL**

NOT TO SCALE