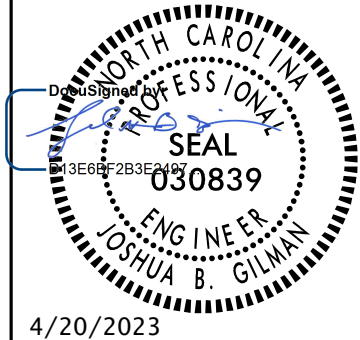
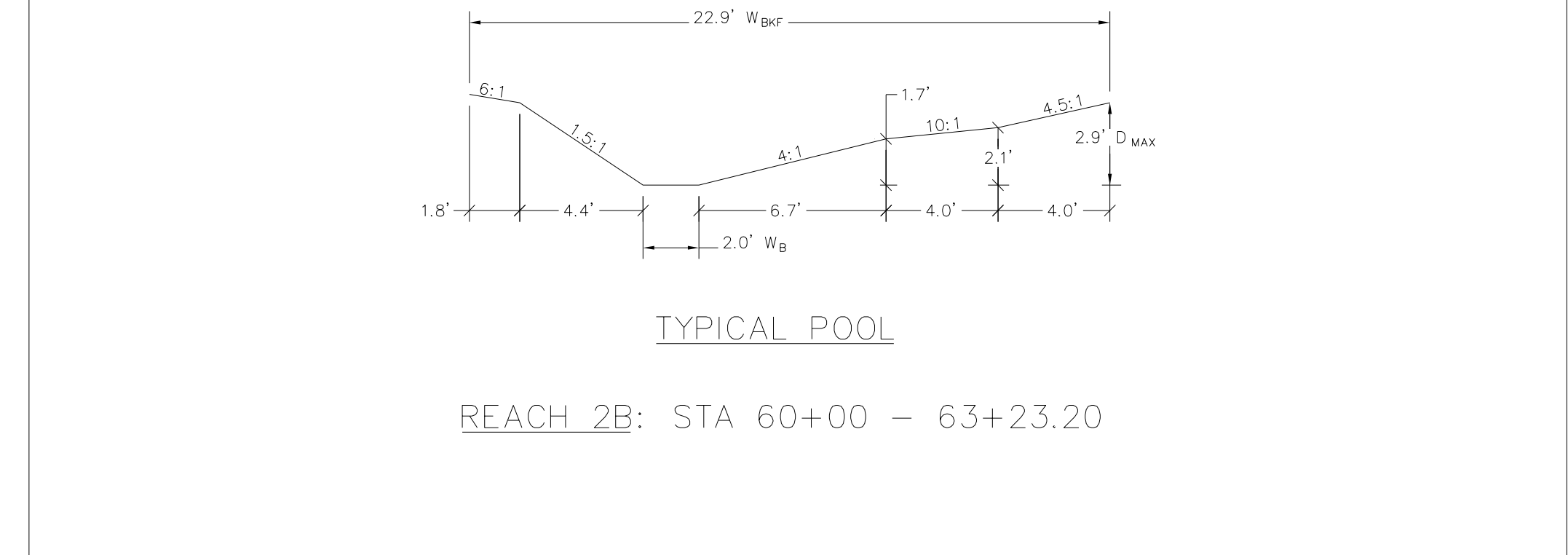
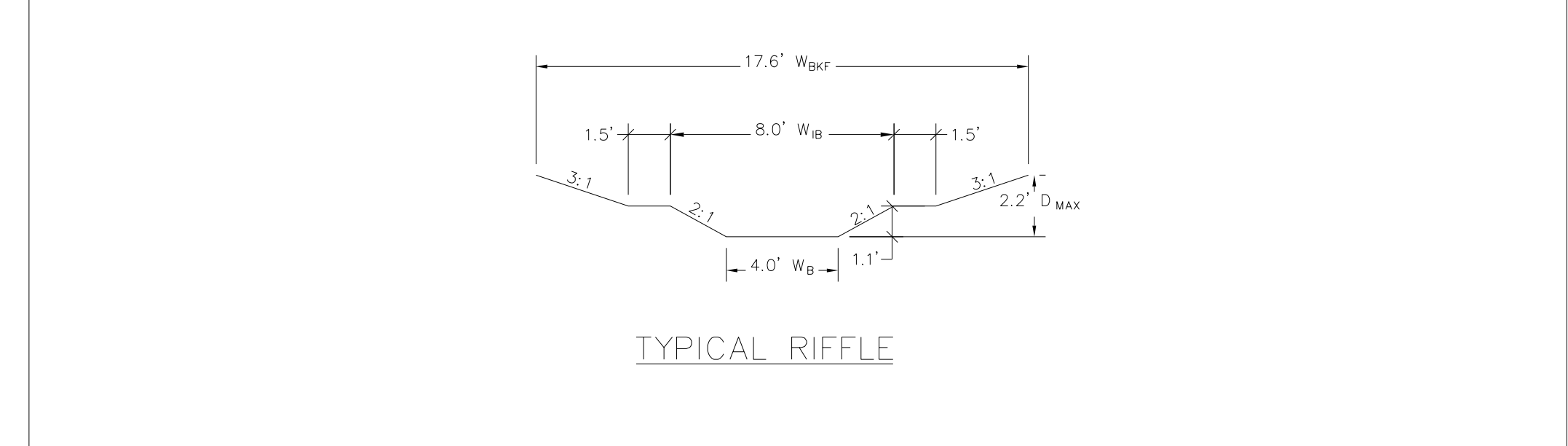
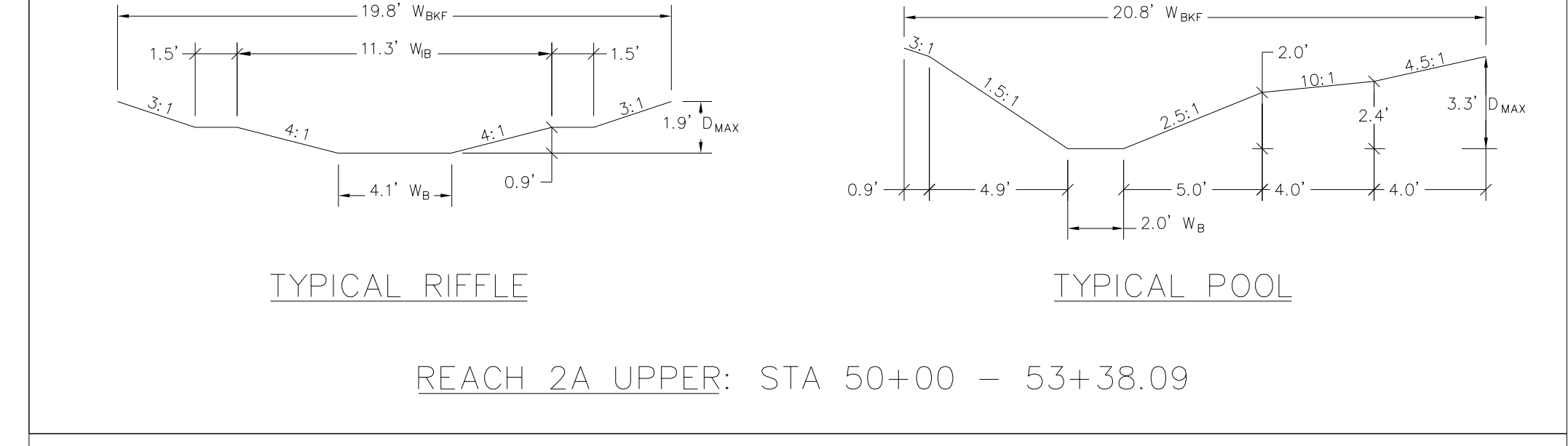
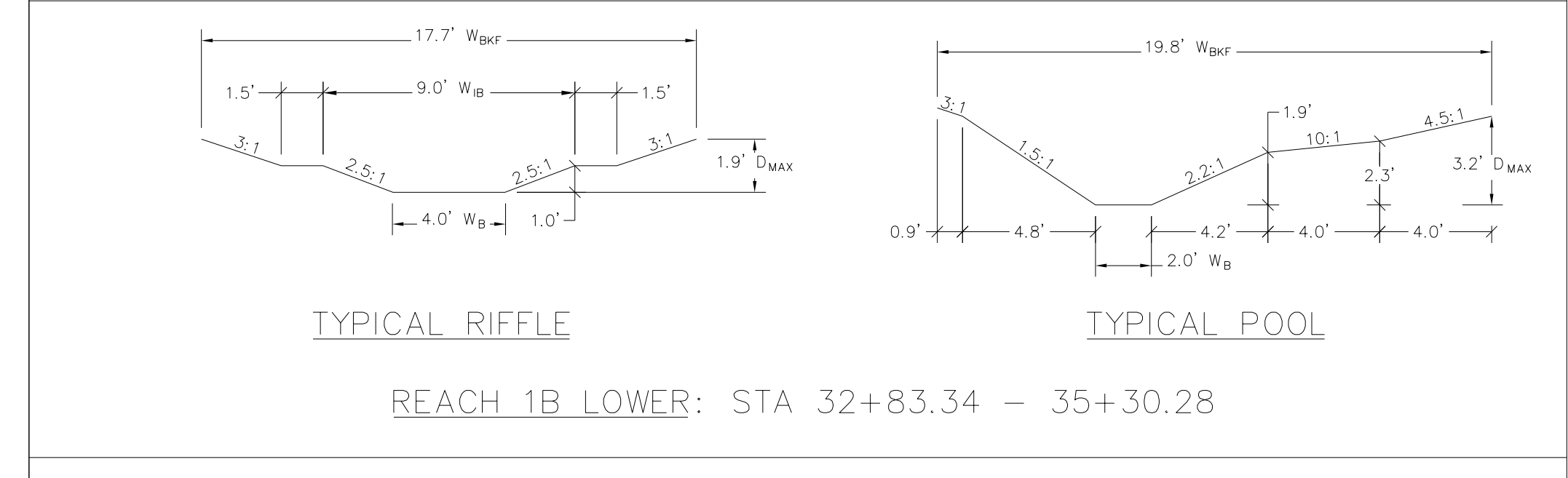
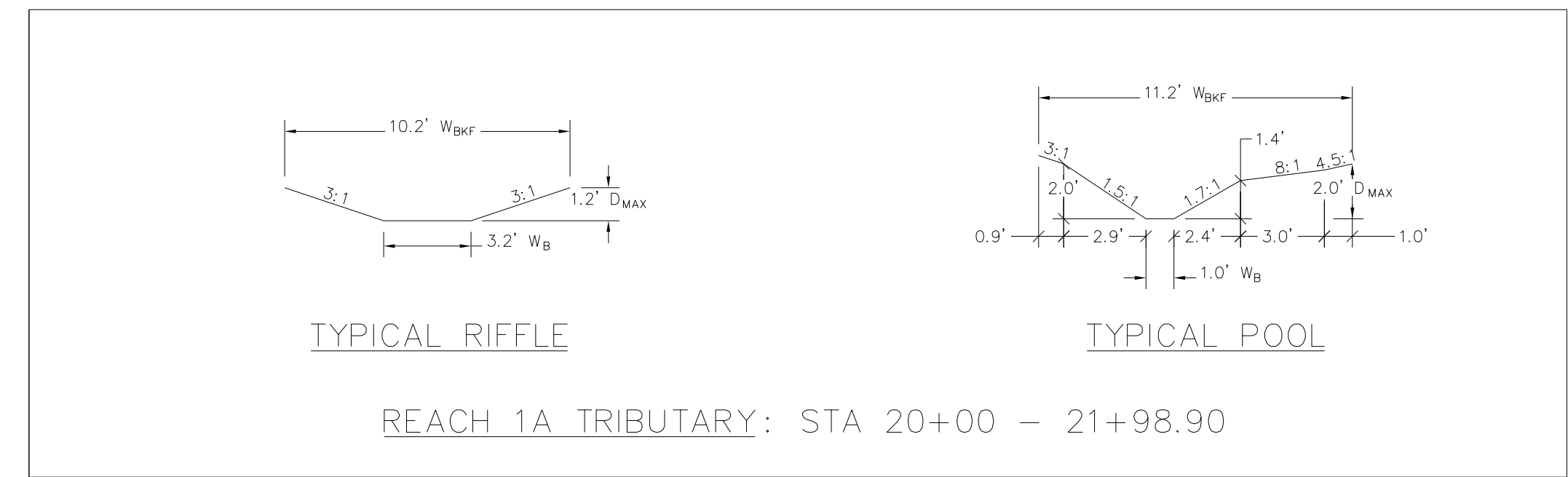
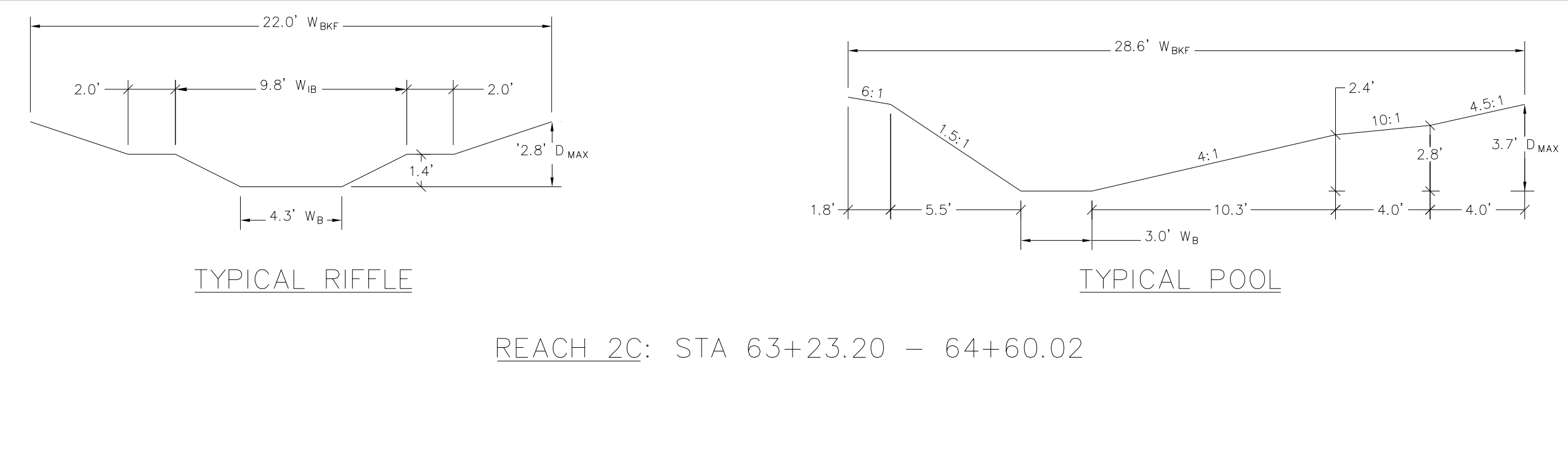
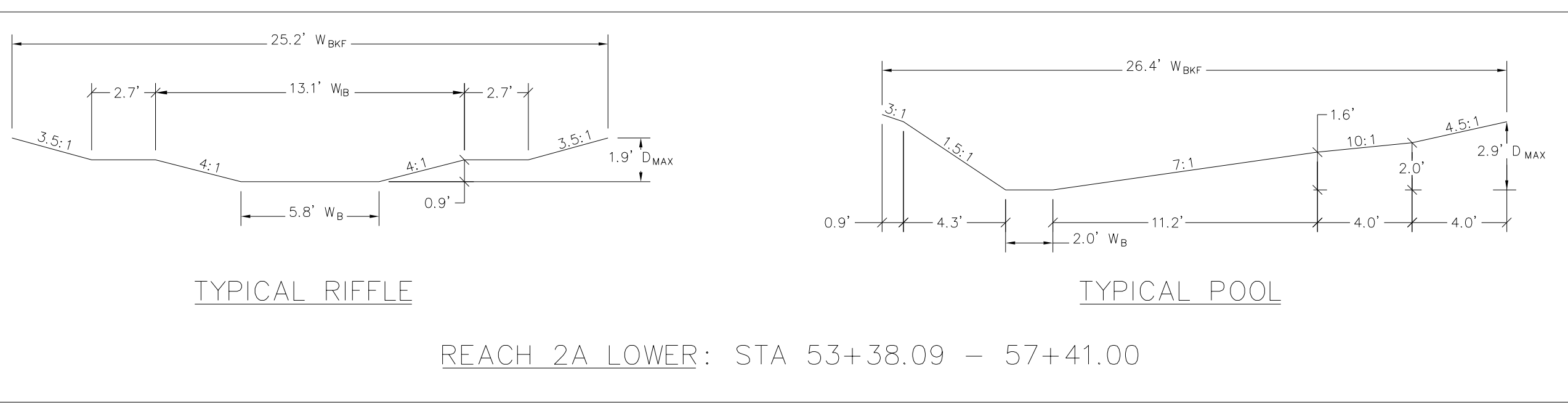
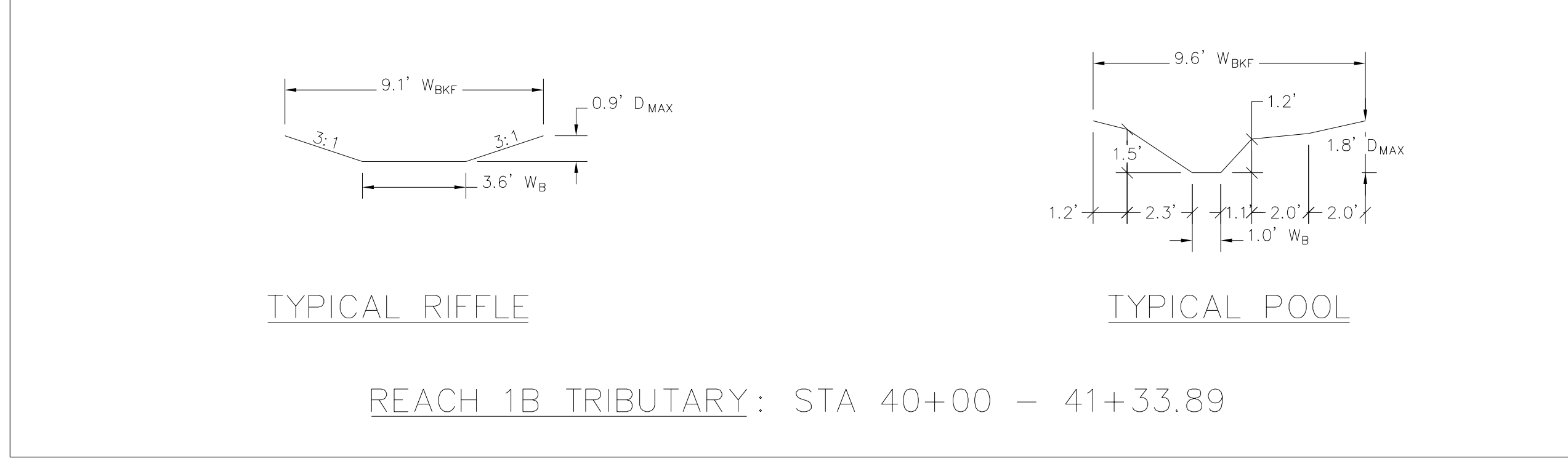
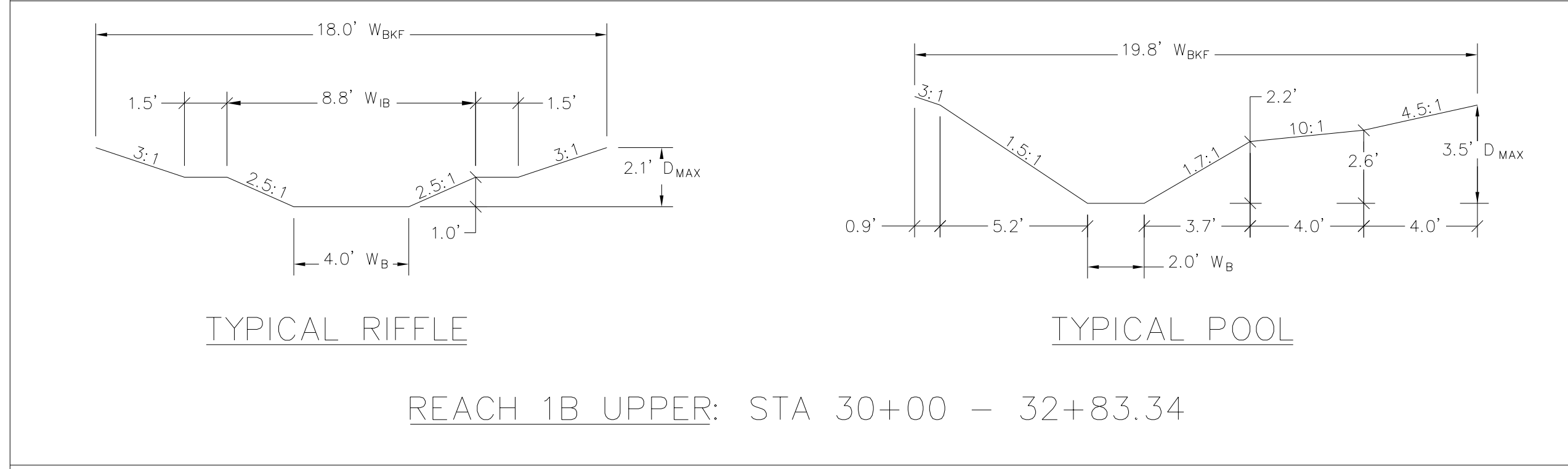
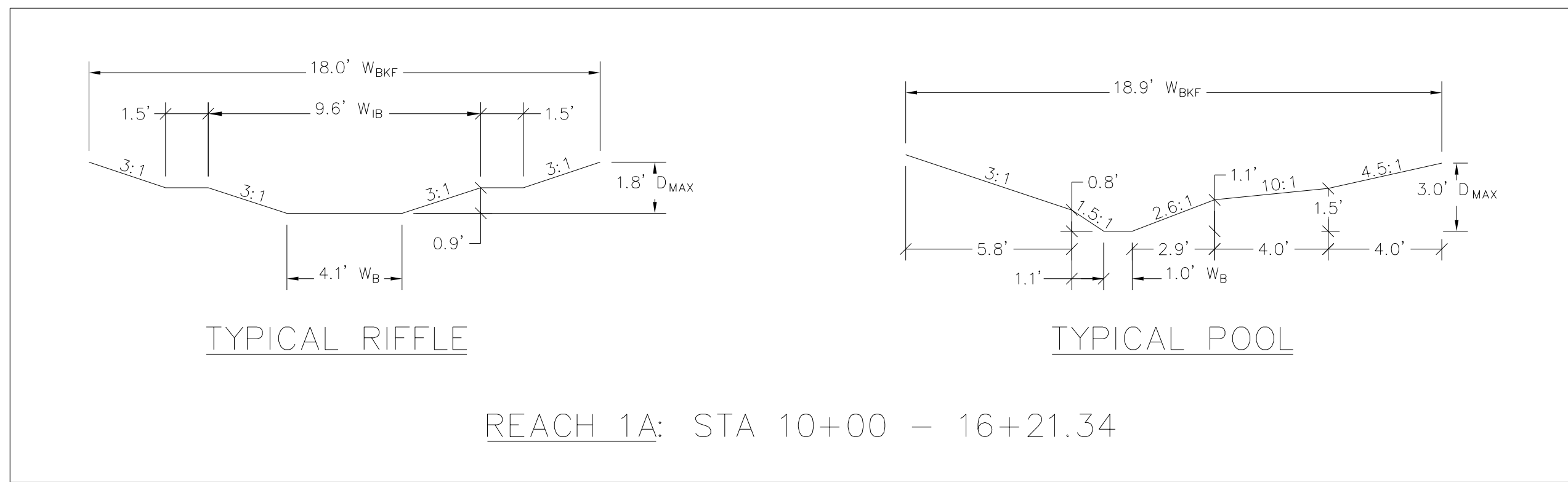


R-2707D
CHANNEL RELOCATION
CLEVELAND COUNTY

Stantec
Stantec Consulting Services Inc.
801 Jones Franklin Road
Suite 300
Raleigh, NC 27606
Tel. (919) 851-6866
Fax. (919) 851-7024
www.stantec.com
License No. F-0672

PROJECT REFERENCE NO. R-2707D	SHEET NO. NS-2A
DESIGN ENGINEER 	



CHANNEL TYPICAL DETAIL SECTIONS
NOT TO SCALE