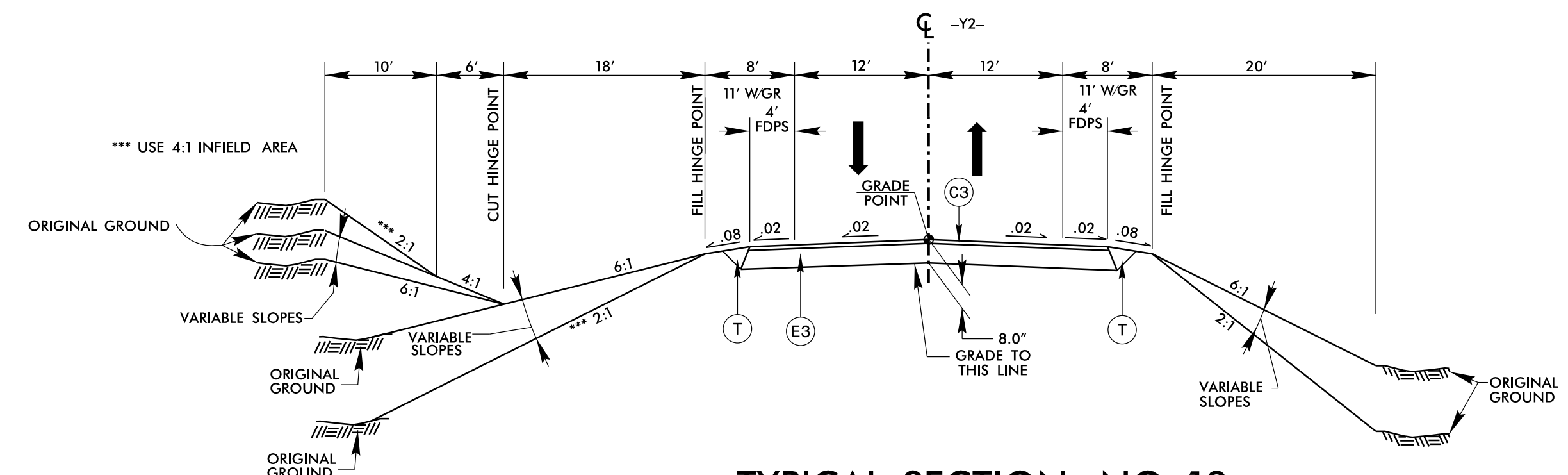


6/2/2019

PAVEMENT SCHEDULE	
C1	PROP. APPROX. 1.5", TYPE S9.5B
C2	PROP. APPROX. 2.5", TYPE S9.5B
C3	PROP. APPROX. 3.0", TYPE S9.5B
C4	PROP. VAR. DEPTH, TYPE S9.5B
C5	PROP. APPROX. 3.0", TYPE S9.5C
C6	PROP. VAR. DEPTH, TYPE S9.5C
C7	PROP. APPROX. 1.5", TYPE S9.5C
D1	PROP. APPROX. 2.5", I19.0C
D2	PROP. APPROX. 4", I19.0C
D3	PROP. VAR. DEPTH, TYPE I19.0C
E1	PROP. APPROX. 4.0", TYPE B25.0C
E2	PROP. APPROX. 4.5", TYPE B25.0C
E3	PROP. APPROX. 5.0", TYPE B25.0C
E4	PROP. APPROX. 7.0", TYPE B25.0C
E5	PROP. VAR. DEPTH, TYPE B25.0C
J1	PROP. 8" DEPTH AGGREGATE BASE COURSE.
J2	VARIABLE AGGREGATE BASE COURSE
K1	SUBGRADE STABILIZATION
K2	PROP CLASS IV SUBGRADE STABILIZATION
N1	GEOTEXTILE FOR SUBGRADE STABILIZATION
P1	PRIME COAT
R1	2'-6" CONCRETE CURB AND GUTTER
R2	CONCRETE EXPRESSWAY GUTTER
R3	STANDARD CONCRETE MEDIAN BARRIER (T SERIES)
R4	SINGLE FACED CONCRETE BARRIER
R5	SHOULDER BERM GUTTER.
T	EARTH MATERIAL
U	EXISTING PAVEMENT
V	1.5" MILLING
W2	VARIABLE DEPTH ASPHALT PAVEMENT (SEE STANDARD WEDGING DETAIL SHEET No. 2A-1)
W3	VARIABLE DEPTH ASPHALT PAVEMENT (SEE STANDARD WEDGING DETAIL SHEET No. 2A-1)

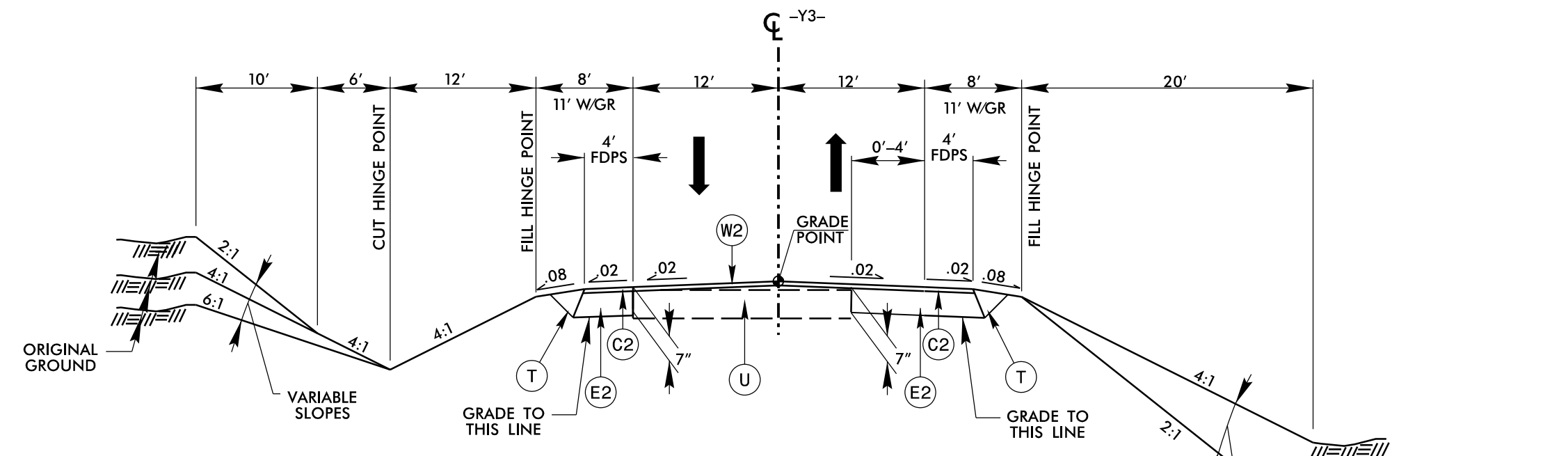
NOTE: PAVEMENT EDGE SLOPES ARE 1:1 UNLESS SHOWN OTHERWISE.

NOTES:
1. DISTANCE WILL VARY TO REACH THE DESIRED ELEVATION AS ESTABLISHED BY THE DITCH GRADE. (SEE PROFILES AND CROSS SECTIONS)



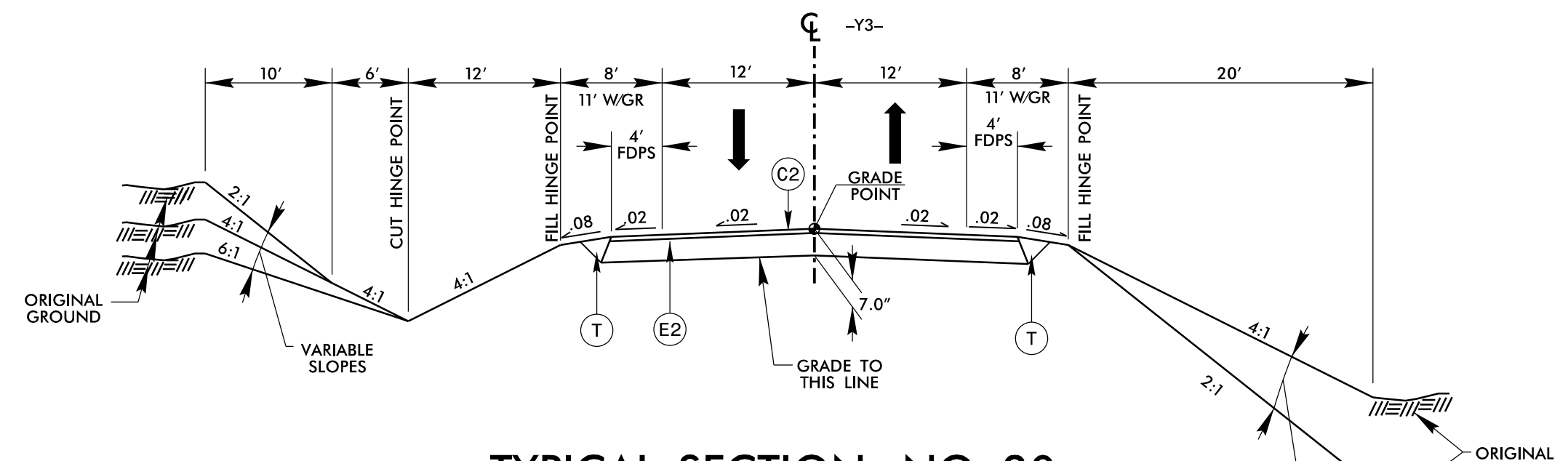
TYPICAL SECTION NO. 18

-Y2- STA. 14+03.91 TO STA. 19+16.80 (BEGIN BRIDGE)
STA. 21+18.64 (END BRIDGE) TO STA. 26+31.59



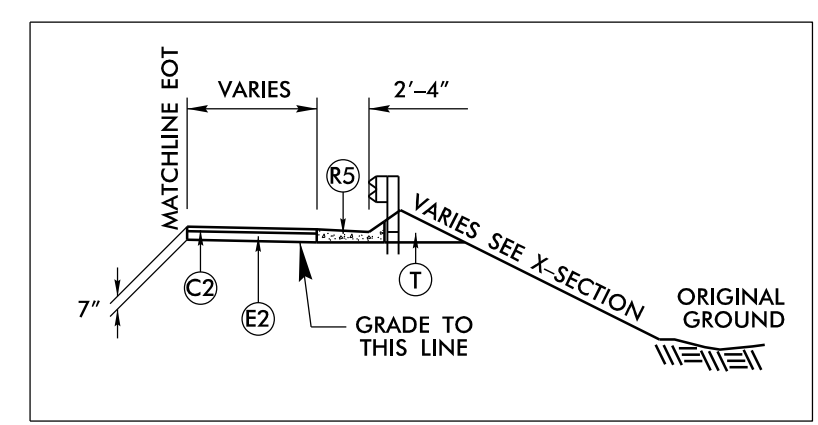
TYPICAL SECTION NO. 19

-Y3- STA. 12+00.00 TO STA. 15+37.15
STA. 28+30.57 TO STA. 32+00.00



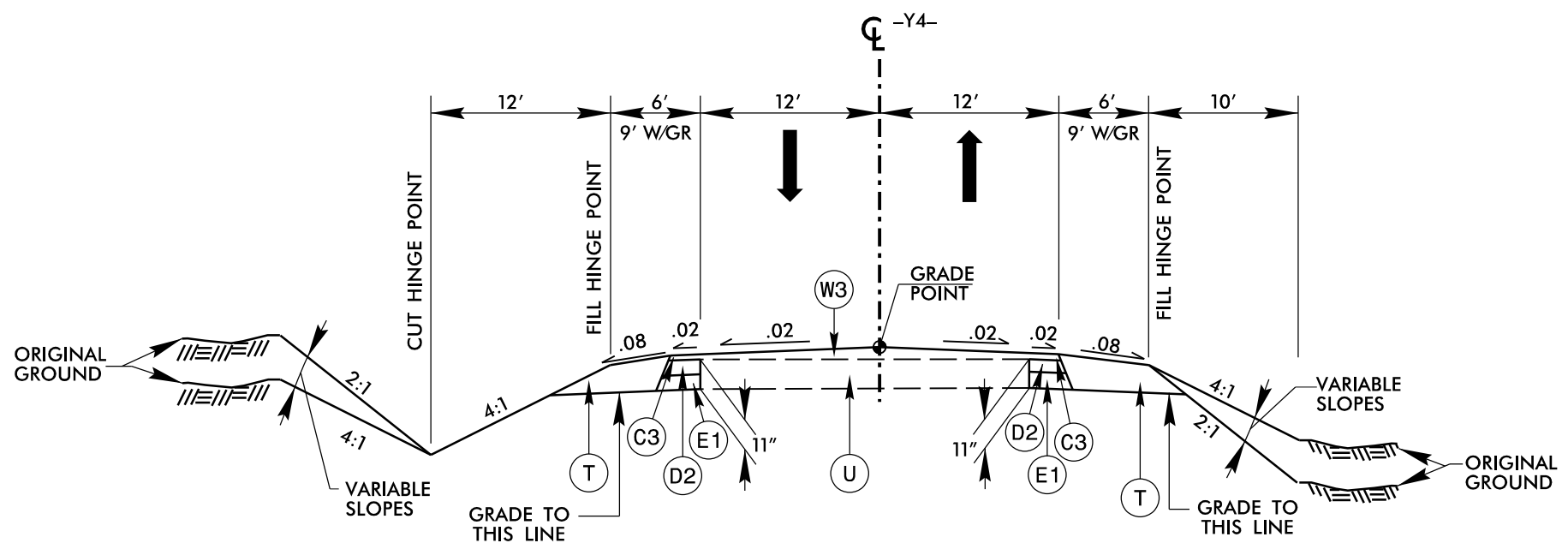
TYPICAL SECTION NO. 20

-Y3- STA. 15+37.15 TO STA. 22+28.97 (BEGIN BRIDGE)
STA. 24+47.80 (END BRIDGE) TO STA. 28+30.57



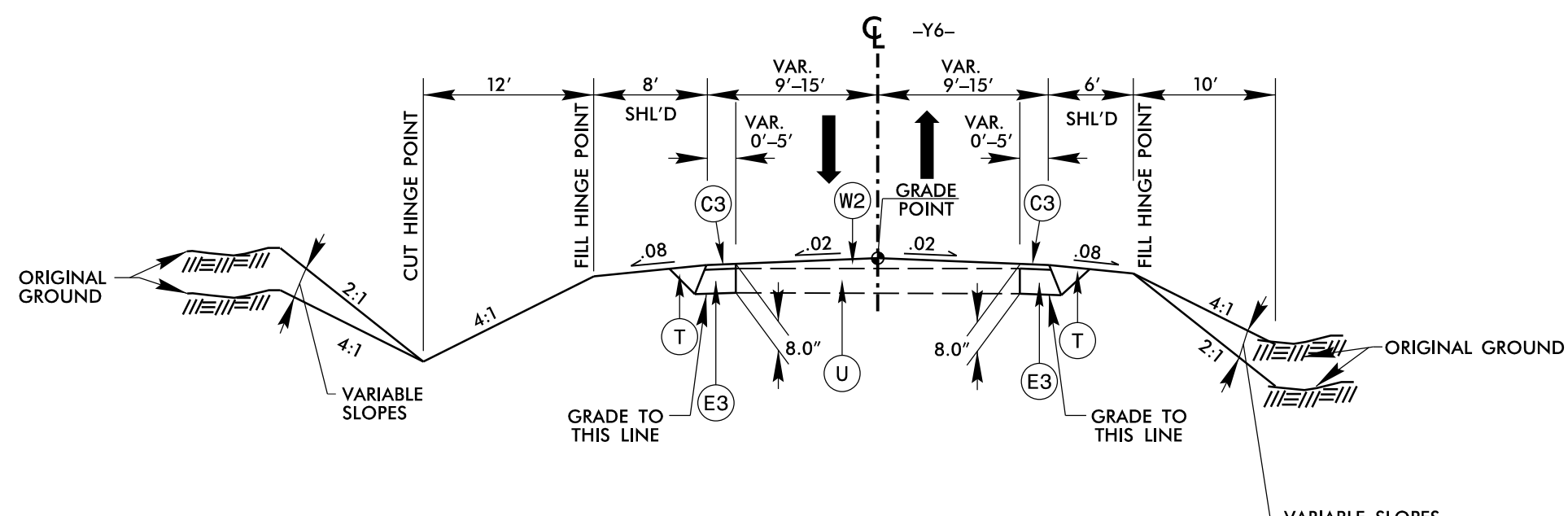
PARTIAL TYPICAL SECTION NO. 19A

USE PARTIAL TYPICAL SECTION NO. 19A IN CONJUNCTION WITH TYPICAL SECTION NO. 19 FOR SBG LOCATIONS
-Y3- STA. 21+45.00 TO STA. 22+15.01 (RT)



TYPICAL SECTION NO. 21

-Y4- STA. 9+90.00 TO STA. 11+47.94
-Y4- STA. 17+04.57 TO STA. 21+77.40



TYPICAL SECTION NO. 22

-Y6- STA. 8+35.00 TO STA. 9+88.00

Stantec
Stantec Consulting Services Inc.
801 Jones Franklin Road
Suite 300
Raleigh, NC 27606
Tel. (919) 851-6866
Fax. (919) 851-7024
www.stantec.com
License No. F-0672

PROJECT REFERENCE NO. <i>R-2707D</i>	SHEET NO. <i>2A-7</i>
ROADWAY DESIGN ENGINEER <i>Matthew B. Ferguson</i> 044480	PAVEMENT DESIGN ENGINEER <i>Joseph T. Holland</i> 024964
4/24/2023	4/25/2023
DOCUMENT NOT CONSIDERED FINAL UNLESS ALL SIGNATURES COMPLETED	

4/24/2023 c:\users\matferguson\documents\pavework\king\dms42562\R2707D.RDY_TYP.dgn matferguson