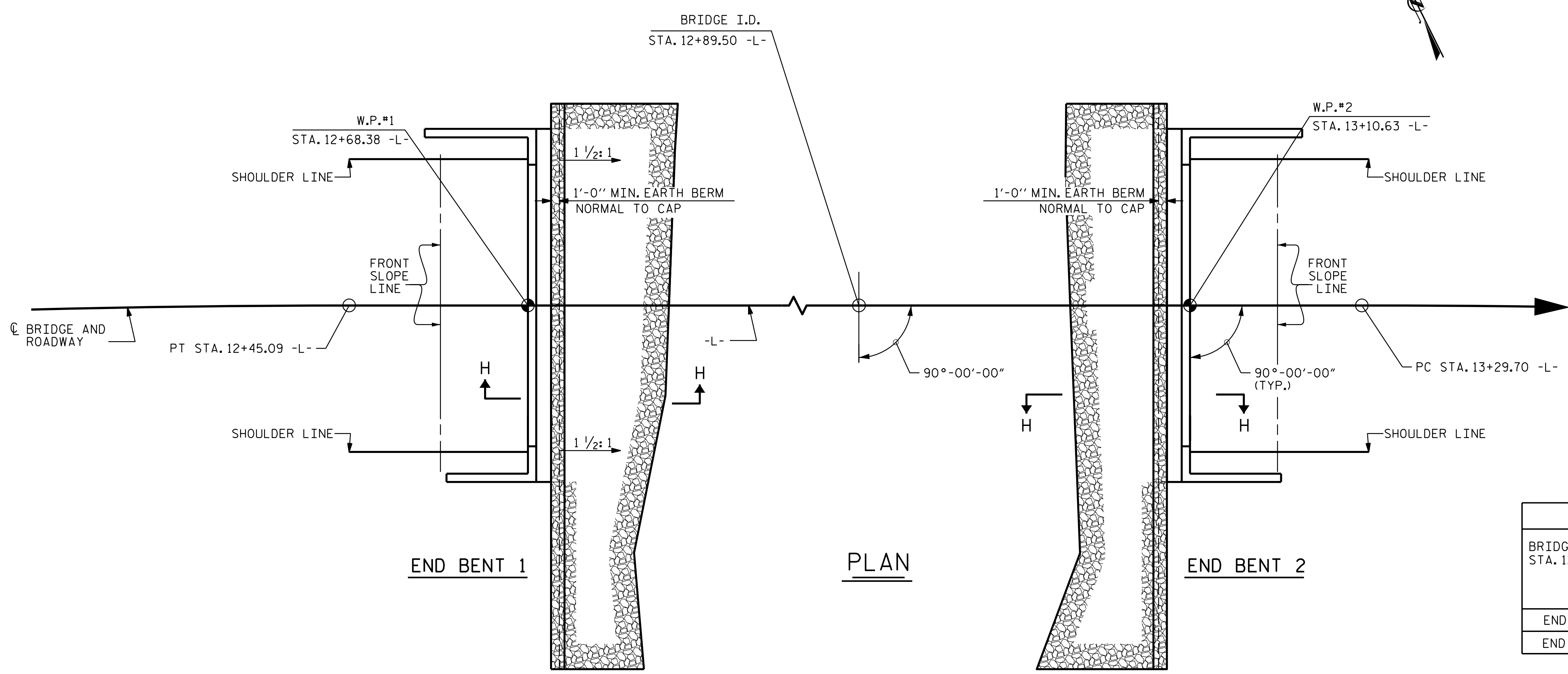
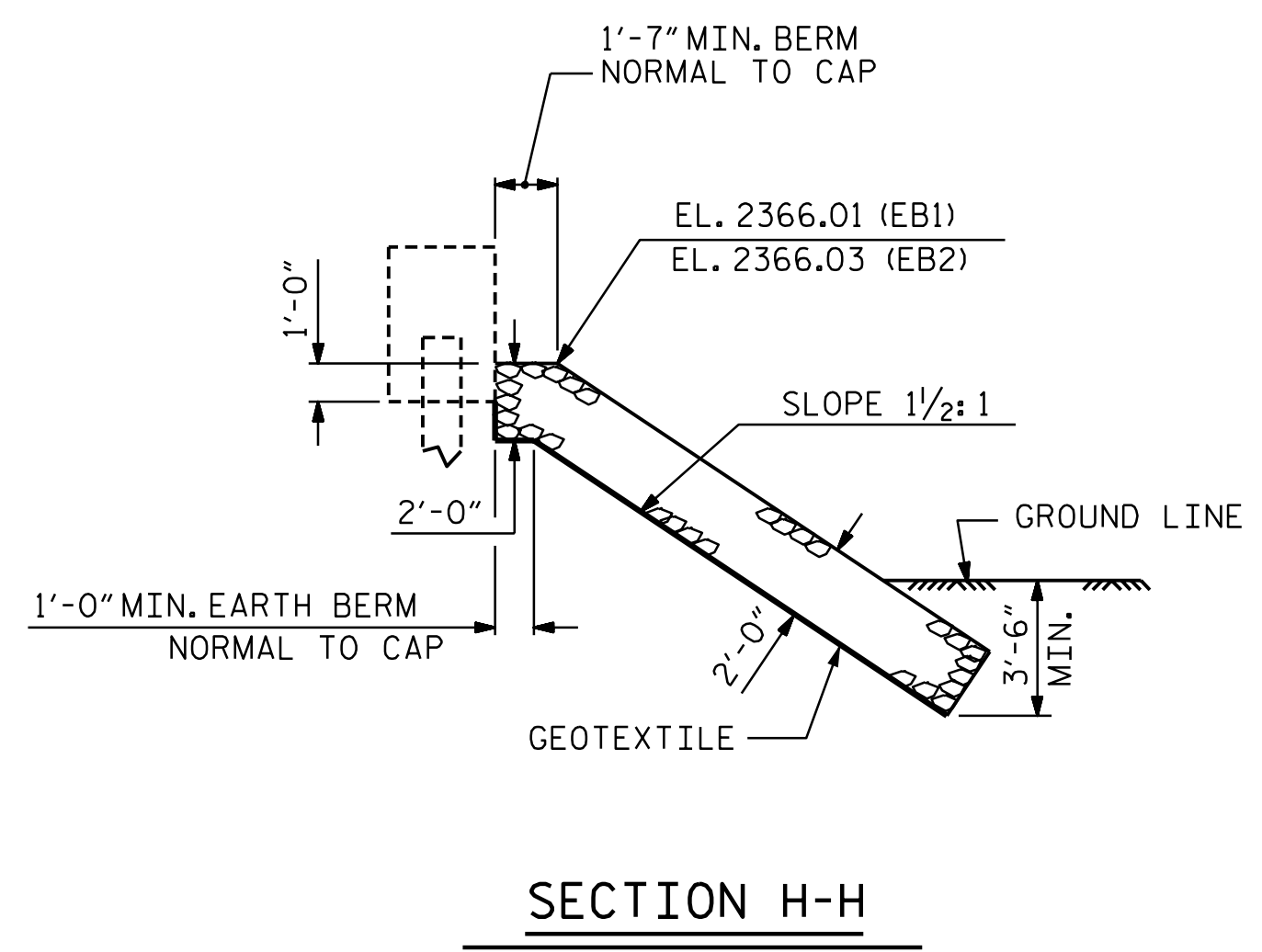


NOTES :
FOR BERM WIDTH DIMENSIONS, SEE GENERAL DRAWING.



ESTIMATED QUANTITIES		
BRIDGE @ STA. 12+89.50 -L-	RIP RAP CLASS II (2'-0" THICK)	GEOTEXTILE FOR DRAINAGE
	TONS	SQUARE YARDS
END BENT 1	97	108
END BENT 2	93	104

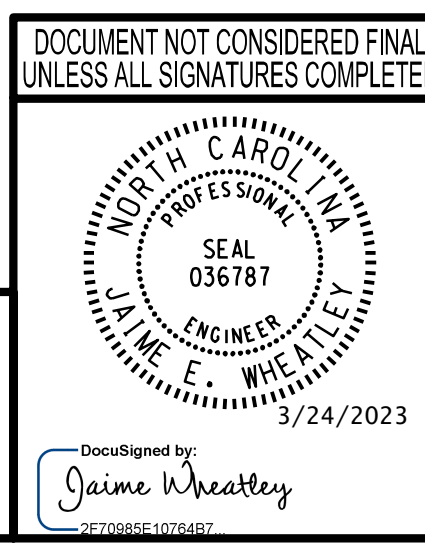


PROJECT NO. B-5893
MITCHELL COUNTY
STATION: 12+89.50 -L-

STATE OF NORTH CAROLINA
DEPARTMENT OF TRANSPORTATION
RALEIGH

RIP RAP DETAILS

REVISIONS						SHEET NO.
NO.	BY:	DATE:	NO.	BY:	DATE:	TOTAL SHEETS
1			3			S-22
2			4			24



wsp

WSP USA Inc.
434 FAYETTEVILLE STREET
SUITE 1500
RALEIGH, NC 27601
TEL: 1.919.836.4040
LICENSE NO. F-0165

3/24/2023 J:\188906R-14 B-5893 Bridge 19 over Cub Creek Structures\2.0 Drafting\Drawings\101_045_B5893_SMU_RR.dgn

DESIGNED BY: J. WHEATLEY DATE: MAR 2023
DRAWN BY: J. WHEATLEY DATE: MAR 2023
CHECKED BY: T. KIRSCHBAUM DATE: MAR 2023
DESIGN ENGINEER OF RECORD: J. WHEATLEY DATE: MAR 2023